

1 Motor protection circuit breakers



- Wide adjustment range
0.1 to 100A
- IEC breaking capacity Icu 50kA
(400V) up to 100A
- Suitable for isolation
- Certified UL Type E and Type F
- Comprehensive line of accessories
- Magnetic-only version
- Automatic trip indicators
- High reliability and accuracy of tripping.

Motor protection circuit breakers

	SEC. - PAGE
Type E and Type F combination motor controllers	1 - 4
Motor protection circuit breakers SM1... up to 40A. Magnetic and thermal protection	1 - 6
Motor protection circuit breakers SM1RM... up to 40A. Magnetic protection	1 - 6
Motor protection circuit breakers SM2... and SM3... from 34 up to 100A. Magnetic and thermal protection	1 - 7
SM1PF... breakers. Fuse monitoring function	1 - 7
Add-on blocks and accessories for SM1...	1 - 8
Add-on blocks and accessories for SM2... and SM3...	1 - 10

Dimensions	1 - 15
Wiring diagrams	1 - 18
Technical characteristics	1 - 19



Page 1-6

SM1P...

- Motor protection
- Push button control
- Ranges 0.1...40A (16 choices)
- IEC breaking capacity Icu at 400V: from 100 to 10kA
- Suitable for mounting in modular panels.



Page 1-6

SM1R...

- Motor protection
- Rotary knob type
- Ranges 0.1...40A (16 choices)
- IEC breaking capacity Icu at 400V: from 100 to 20kA
- Thermal and magnetic trip indicator
- UL 60947-4-1 Type E, Type F.



Page 1-6

SM1RM...

- Starter protection (magnetic only)
- Rotary knob type
- Rated current from 0.16 to 40A
- IEC breaking capacity Icu at 400V: from 100 to 20kA.



Page 1-7

SM2R...

- Motor protection
- Rotary knob type
- Ranges 34...63A (2 choices)
- IEC breaking capacity Icu at 400V: 50kA
- UL 60947-4-1 Type E.



Page 1-7

SM3R...

- Motor protection
- Rotary knob type
- Ranges 55...100A (3 choices)
- IEC breaking capacity Icu at 400V: 50kA
- Thermal and magnetic trip indicator
- UL 60947-4-1 Type E via accessory.



Page 1-7

SM1PF...

- Fuse monitoring function
- Push button control
- Fixed thermal protection: 0.2A
- Magnetic trip threshold: 1.2A.



LOVATO Electric motor protection circuit breakers are suitable for new motors with high IE3 efficiency values

IEC ratings

Motor protection (magnetic and thermal protection)



SM1P...



SM1R...

SM2R...

SM3R...

Starter protection (magnetic protection)



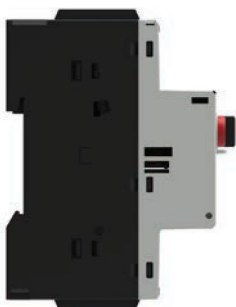
SM1RM...

Rated current	0.1...40A	0.1...40A	34...63A	55...100A	0.1...40A
Thermal protection	●	●	●	●	●
Magnetic protection	●	●	●	●	●
TRIP position	●	●	●	●	●
Phase failure sensitive	●	●	●	●	●
Padlockable in O	●	●	●	●	●

Choice	230V		400V		440V		500V		690V		230V		400V		440V		500V		690V		230V		400V		440V		500V		690V		
	Icu	Ics	Icu	Ics	Icu	Ics	Icu	Ics	Icu	Ics	Icu	Ics	Icu	Ics	Icu	Ics	Icu	Ics	Icu	Ics	Icu	Ics	Icu	Ics	Icu	Ics	Icu	Ics	Icu	Ics	
[A]	kA	kA	kA	kA	kA	kA	kA	kA	kA	kA	kA	kA	kA	kA	kA	kA	kA	kA	kA	kA	kA	kA	kA	kA	kA	kA	kA	kA	kA	kA	
0.1...0.16	100	100	100	100	100	100	100	100	100	100	100	100	100	100	100	100	100	100	100	100	100	100	100	100	100	100	100	100	100	100	100
0.16...0.25	100	100	100	100	100	100	100	100	100	100	100	100	100	100	100	100	100	100	100	100	100	100	100	100	100	100	100	100	100	100	100
0.25...0.4	100	100	100	100	100	100	100	100	100	100	100	100	100	100	100	100	100	100	100	100	100	100	100	100	100	100	100	100	100	100	100
0.4...0.63	100	100	100	100	100	100	100	100	100	100	100	100	100	100	100	100	100	100	100	100	100	100	100	100	100	100	100	100	100	100	100
0.63...1	100	100	100	100	100	100	100	100	100	100	100	100	100	100	100	100	100	100	100	100	100	100	100	100	100	100	100	100	100	100	100
1...1.6	100	100	100	100	100	100	100	100	100	100	100	100	100	100	100	100	100	100	100	100	100	100	100	100	100	100	100	100	100	100	100
1.6...2.5	100	100	100	100	100	100	100	100	100	3	3	100	100	100	100	100	100	100	100	10	10	100	100	100	100	100	100	100	10	10	10
2.5...4	100	100	100	100	100	100	100	100	100	3	3	100	100	100	100	100	100	100	100	10	10	100	100	100	100	100	100	100	10	10	10
4...6.5	100	100	100	100	100	100	100	100	100	3	3	100	100	100	100	100	100	100	100	4	2	100	100	100	100	100	100	100	4	2	2
6.3...10	100	100	100	100	100	25	12.5	25	12.5	3	3	100	100	100	100	42	42	42	42	4	2	100	100	100	100	42	42	42	4	2	2
9...14	100	100	25	12.5	10	5	10	5	3	3	100	100	100	100	42	42	42	42	4	2	100	100	100	100	42	42	42	4	2	2	
13...18	100	50	25	12.5	10	5	10	5	3	3	100	100	100	100	10	5	10	5	4	2	100	100	100	100	10	5	10	5	4	2	
17...23	50	50	15	5	10	5	10	5	3	2	100	100	50	25	10	5	10	5	4	2	100	100	50	25	10	5	10	5	4	2	
20...25	50	50	15	5	10	5	10	5	3	2	100	100	50	25	10	5	10	5	4	2	100	100	50	25	10	5	10	5	4	2	
24...32	50	50	10	5	10	5	10	5	3	2	100	100	50	25	10	5	10	5	4	2	100	100	50	25	10	5	10	5	4	2	
30...40	20	20	10	5	10	5	10	5	3	2	100	100	20	10	10	5	10	5	4	2	100	100	20	25	10	5	10	5	4	2	
34...50	-	-	-	-	-	-	-	-	-	-	100	100	50	50	35	27	10	8	5	5	-	-	-	-	-	-	-	-	-	-	
45...63	-	-	-	-	-	-	-	-	-	-	100	100	50	50	35	27	10	8	5	5	-	-	-	-	-	-	-	-	-	-	
55...75	-	-	-	-	-	-	-	-	-	-	100	100	50	38	40	30	8	6	5	4	-	-	-	-	-	-	-	-	-	-	
70...90	-	-	-	-	-	-	-	-	-	-	100	100	50	38	40	30	8	6	5	4	-	-	-	-	-	-	-	-	-	-	
80...100	-	-	-	-	-	-	-	-	-	-	100	100	50	38	40	30	8	6	5	4	-	-	-	-	-	-	-	-	-	-	

SM1P... MODULAR SIZE

- Mounting on front of panels or in modular panels for rapid access to buttons, avoiding the opening of the door by non-technical staff.
- Auxiliary contacts, indicator contacts and releases compatible with modular panels.



40A IN 45mm

- From 0.1A to 40A in a device just 45mm wide.
- High short-circuit breaking capacity up to 40A.
- Small, cost-effective starters.



SM1R... TRIP INDICATION

- Thermal and magnetic trip indication with trip position of knob.
- Specific optical indication for short-circuit tripping; guarantees maximum safety for operators and reliability of the system.
- Auxiliary trip indication contacts with ability to distinguish overload from short circuit.



SM1... HIGH-PERFORMANCE PLASTICS

- IEC/EN 60335-compliant plastics for domestic and similar applications. Can be used in catering equipment.
- EN 45545-compliant plastics: fire behaviour and emissions of fumes. Suitable for railway applications.

DOOR COUPLING HANDLES

- Padlockable door coupling handles for the entire rotary knob type. Make systems compliant with safety regulations.
- Tough, easy and quick to install.



UL508 ratings (horse power ratings on page 1-5)

Fuse monitoring



SM1PF...



SM1P...



SM1R... - SM2R... - SM3R...

0.2A												UL508 / UL 60947-4-1 Manual Motor Controller - Short circuit current in kA												UL508 / UL 60947-4-1 Manual Self Protected Combination Motor Controller (Type E) Short circuit current in kA (Type F ratings see on page 1-5)					
												Motor Disconnect Group Motor Installation			Protection			Motor Disconnect			Group Motor Installation			Protection			Tap Conductor Protection		
												240V	480V	600V	480V	600V	480V	600V	480V	600V	480Y/277V	600Y/347V	240V	480Y/277V	600Y/347V				
Icu		Ics		Icu		Ics		Icu		Ics		Icu		Ics		Icu		Ics		Icu		Ics		Icu		Ics			
kA		kA		kA		kA		kA		kA		kA		kA		kA		kA		kA		kA		kA		kA			
-	-	-	-	-	-	-	-	-	-	-	-	50	50	50	Fuse or CB	50	50	50	50	Fuse or CB	50	50	50	50	50	50			
100	100	100	100	100	100	100	100	100	100	100	100	50	50	50	Fuse or CB	50	50	50	50	Fuse or CB	50	50	50	50	50	50			
-	-	-	-	-	-	-	-	-	-	-	-	50	50	50	Fuse or CB	50	50	50	50	Fuse or CB	50	50	50	50	50	50			
-	-	-	-	-	-	-	-	-	-	-	-	50	50	50	Fuse or CB	50	50	50	50	Fuse or CB	50	50	50	50	50	50			
-	-	-	-	-	-	-	-	-	-	-	-	50	50	50	Fuse or CB	50	50	50	50	Fuse or CB	50	50	50	50	50	50			
-	-	-	-	-	-	-	-	-	-	-	-	30	30	30	100A Class J	30	30	30	30	Fuse or CB	30	30	30	30	30	30			
-	-	-	-	-	-	-	-	-	-	-	-	30	30	30	100A Class J	30	30	30	30	Fuse or CB	30	30	30	30	30	30			
-	-	-	-	-	-	-	-	-	-	-	-	30	30	30	100A Class J	30	30	30	30	Fuse or CB	30	30	30	30	30	30			
-	-	-	-	-	-	-	-	-	-	-	-	30	30	30	100A Class J	30	30	30	30	200A Class J	65 ^①	30 ^①	65 ^①	65 ^①	30 ^①	30 ^①			
-	-	-	-	-	-	-	-	-	-	-	-	30	30	-	100A Class J	30	30	30	30	200A Class J	65 ^①	30 ^①	65 ^①	65 ^①	30 ^①	30 ^①			
-	-	-	-	-	-	-	-	-	-	-	-	30	30	-	100A Class J	30	30	30	30	200A Class J	65 ^①	-	65 ^①	65 ^①	-	-			
-	-	-	-	-	-	-	-	-	-	-	-	5	5	-	Fuse or CB	30	30	30	30	200A Class J	30 ^①	-	30 ^①	30 ^①	-	-			
-	-	-	-	-	-	-	-	-	-	-	-	5	5	-	Fuse or CB	30	30	30	30	200A Class J	30 ^①	-	30 ^①	30 ^①	-	-			
-	-	-	-	-	-	-	-	-	-	-	-	5	5	-	Fuse or CB	30	30	30	30	200A Class J	10 ^①	-	10 ^①	10 ^①	-	-			
-	-	-	-	-	-	-	-	-	-	-	-	5	5	-	Fuse or CB	30	30	30	30	200A Class J	-	-	-	-	-	-			
-	-	-	-	-	-	-	-	-	-	-	-	-	-	-	-	50	10	50	10	Fuse or CB	50	10	100	50	-	-			
-	-	-	-	-	-	-	-	-	-	-	-	-	-	-	-	50	10	50	10	Fuse or CB	50	10	100	50	-	-			
-	-	-	-	-	-	-	-	-	-	-	-	-	-	-	-	40	10	40	10	Fuse or CB	40	10	100	40	-	-			
-	-	-	-	-	-	-	-	-	-	-	-	-	-	-	-	40	10	40	10	Fuse or CB	40	10	100	40	-	-			
-	-	-	-	-	-	-	-	-	-	-	-	-	-	-	-	40	10	40	10	Fuse or CB	40	10	100	40	-	-			
-	-	-	-	-	-	-	-	-	-	-	-	-	-	-	-	40	10	40	10	Fuse or CB	40	10	100	40	-	-			

① Values valid for SM1RE... only.

ENCLOSURES

- Various types of plastic enclosures are available for rotating and button-controlled motor protection circuit breakers up to 40A.
- Surface and flush mount.
- Ideal for small machines and isolated motors.
- IP65 (UL Type 4X) protection rating and UV-ray resistant.
- Very robust plastics, IK07; pass even the strict UL "ball impact" test.
- UL-certified.



SM1... PADLOCKABILITY

- Padlockability as standard on the entire rotary knob type and push button-controlled motor protection circuit breaker range. For greater operator safety during maintenance and bypassing of the equipment.



UL Type E

- The entire rotary knob type is certified UL Type E.
- Type E is a specific requirement of the UL standards that requires, of short-circuit protection devices, increased terminal isolation distances and strict breaking capacity tests.
- Eliminates the need for further short-circuit protection devices upstream of the motor protection.

UL Type F

- Type F starters are a combination of a motor protection circuit breaker and a contactor tested in specified short circuit conditions to verify their coordination.
- The SM1R motor protection circuit breakers are certified UL type F in combination with BG and BF contactors.
- A Type F starter is the most complete and preferred way to control and protect a motor.

UL ratings

Type E and Type F combination motor controllers

The UL standard indicates a combination motor controller, also called a combination starter, as equipment consisting of a protected starter incorporating an isolation function. The protection includes both thermal overload and short circuit. In the standard of UL508 (now harmonized with IEC as UL 60947-4-1), we can find

different construction types of starters stated as Type A, Type B, etc... composed of different type of devices intended to control, disconnect and protect a motor. Type E and Type F controllers usually provide the best solution to control and protect a motor.

Type E

A Type E starter is a listed combination starter suitable for use without additional upstream circuit short-circuit protection. The typical Type E starter is a motor protection circuit breaker that includes in a single device the following functions: manual motor control, disconnection, short circuit protection and motor overload protection.

A "NON Type E" motor protection circuit breaker, despite including short circuit protection, requires additional upstream short circuit protection.



● Phase separation barrier (required)

● Motor protection circuit breaker also known as manual motor protector

FUNCTIONS:

- Disconnect
- Branch circuit protection
- Motor control
- Motor overload protection.

Type F

A Type F starter has the same functions of Type E but includes also a contactor to have remote or automatic control of the motor.



● Phase separation barrier (required)

● Motor protection circuit breaker also known as manual motor protector

● Rigid connection (optional)

● Contactor

FUNCTIONS

- Disconnect (motor protection circuit breaker also known as manual motor protector)
- Branch circuit protection (motor protection circuit breaker also known as manual motor protector)
- Motor control (contactor)
- Motor overload protection (motor protection circuit breaker also known as manual motor protector).

CO-ORDINATION TYPE 1 AND CO-ORDINATION TYPE 2

The concept of co-ordination Type 1 and Type 2 was recently introduced in the UL60947-4-1.

In the co-ordination Type 1, after a short-circuit, the starter shall cause no danger to persons or installation, but may not be suitable for further service and may need parts repair and replacement.

In the co-ordination Type 2, after a short-circuit, the starter shall cause no danger to persons or installation and is suitable for further use.

On the next page the co-ordination tables are provided.

TAP CONDUCTOR PROTECTION

SM... motor protection circuit breakers are also suitable as Tap Conductor Protection for Group Installation.

When manual motor starters are employed in group installations, in specified conditions by the standard, it is possible to reduce the wire sections.

The use of smaller wires reduces the cost of the panel and makes the wiring easier.

Furthermore, these motor protection circuit breakers can be used for control transformers protection instead of fuses or circuit breaker certified as UL 489 usually more expensive.

Combination Motor Controllers (Type F)

Coordination Type 1 - In the co-ordination Type 1, after a short-circuit, the starter shall cause no danger to persons or installation, but may not be suitable for further service and may need parts repair and replacement.

Motor protection circuit breaker type	Thermal setting range [A]	Contactor types	SCCR in kA		
			240V	480Y/277V	600Y/347V
SM1R 0016	0.1...0.16	BG06...BG12, BF09...BF38	65	65	50
SM1R 0025	0.16...0.25	BG06...BG12, BF09...BF38	65	65	50
SM1R 0040	0.25...0.4	BG06...BG12, BF09...BF38	65	65	50
SM1R 0063	0.4...0.63	BG06...BG12, BF09...BF38	65	65	50
SM1R 0100	0.63...1	BG06...BG12, BF09...BF38	65	65	50
SM1R 0160	1...1.6	BG06...BG12, BF09...BF38	65	65	50
SM1R 0250	1.6...2.5	BG06...BG12, BF09...BF38	65	65	30
SM1R 0400	2.5...4	BG06...BG12, BF09...BF38	65	65	30
SM1R 0650	4...6.5	BG06...BG12, BF09...BF38	65	65	30
SM1RE 1000	6.3...10	BF09...BF38	65	65	30
SM1RE 1400	9...14	BF18...BF38	65	65	30
SM1RE 1800	13...18	BF18...BF38	65	65	—
SM1RE 2300	17...23	BF18...BF38	30	30	—
SM1RE 2500	20...25	BF25...BF38	30	30	—
SM1RE 3200	24...32	BF32, BF38	10	10	—

● BG06 not for 600Y/347V.

Coordination Type 2 - In the co-ordination Type 2, after a short-circuit, the starter shall cause no danger to persons or installation and is suitable for further use.

Motor protection circuit breaker type	Thermal setting range [A]	Contactor types	SCCR in kA		
			240V	480Y/277V	600Y/347V
SM1R 0016	0.1...0.16	BF26, BF32, BF38	65	65	50
SM1R 0025	0.16...0.25	BF26, BF32, BF38	65	65	50
SM1R 0040	0.25...0.4	BF26, BF32, BF38	65	65	50
SM1R 0063	0.4...0.63	BF26, BF32, BF38	65	65	50
SM1R 0100	0.63...1	BF26, BF32, BF38	65	65	50
SM1R 0160	1...1.6	BF26, BF32, BF38	65	65	50
SM1R 0250	1.6...2.5	BF26, BF32, BF38	65	65	30
SM1R 0400	2.5...4	BF26, BF32, BF38	65	65	30
SM1R 0650	4...6.5	BF26, BF32, BF38	65	65	30
SM1RE 1000	6.3...10	BF26, BF32, BF38	65	65	30
SM1RE 1400	9...14	BF26, BF32, BF38	65	65	30
SM1RE 1800	13...18	BF26, BF32, BF38	65	65	—
SM1RE 2300	17...23	BF26, BF32, / BF38	10 / 30	10 / 30	—
SM1RE 2500	20...25	BF26, BF32, / BF38	10 / 30	10 / 30	—
SM1RE 3200	24...32	BF32, BF38	10	10	—

MAXIMUM UL/CSA HORSEPOWER RATINGS

		Single-phase		Three-phase, 3-pole			
		110V-120V	220V-240V	200V-208V	220-240V	440-480V	550V-600V
		[HP]	[HP]	[HP]	[HP]	[HP]	[HP]
SM1R 0016	SM1P 0016	—	—	—	—	—	—
SM1R 0025	SM1P 0025	—	—	—	—	—	—
SM1R 0040	SM1P 0040	—	—	—	—	—	—
SM1R 0063	SM1P 0063	—	—	—	—	—	—
SM1R 0100	SM1P 0100	—	—	—	—	1/2	1/2
SM1R 0160	SM1P 0160	—	1/10	—	—	3/4	1
SM1R 0250	SM1P 0250	—	1/6	1/2	1/2	1	1.5
SM1R 0400	SM1P 0400	1/8	1/3	3/4	3/4	2	3
SM1R 0650	SM1P 0650	1/4	1/2	1.5	1.5	3	5
SM1R 1000	SM1P 1000	1/2	1.5	2	3	5	7.5
SM1R 1400 / SM1RE 1400	SM1P 1400	3/4	2	3	3	10	10●
SM1R 1800 / SM1RE 1800	SM1P 1800	1	3	5	5	10	15●
SM1R 2300 / SM1RE 2300	SM1P 2300	1.5	3	5	7.5	15	20●
SM1R 2500 / SM1RE 2500	SM1P 2500	2	3	5	7.5	15	20●
SM1R 3200 / SM1RE 3200	SM1P 3200	2	5	10	10	20	30●
SM1R 4000 / SM1RE 4000	SM1P 4000	3	7.5	10	10	30	30●
SM2R 5000	—	3	10	15	15	30	40
SM2R 6300	—	5	10	20	20	40	60
SM3R 7500	—	5	15	20	25	50	60
SM3R 9000	—	7 1/2	20	25	30	60	75
SM3R 9900	—	10	20	30	30	75	100

● SM1R... and SM1RE... only

Motor protection circuit breakers SM1... up to 40A. Magnetic and thermal protection



SM1P...



SM1R...

- ❶ For SM1R... breakers, certified UL Type E, add E letter to the code. Ex. SM1RE 1000.
- ❷ 10In max for 0.1...0.16A and 0.16...0.25A setting ranges.

Order code	Thermal trip adjustment range		Short circuit breaking capacity at 400V		Qty per pkg	Wt [kg]
	[A]	[A]	Icu [kA]	Ics [kA]		
Push button control. For UL ratings see page 1-14.						
SM1P 0016	0.1...0.16		100	100	1	0.280
SM1P 0025	0.16...0.25		100	100	1	0.280
SM1P 0040	0.25...0.4		100	100	1	0.280
SM1P 0063	0.4...0.63		100	100	1	0.280
SM1P 0100	0.63...1		100	100	5	0.280
SM1P 0160	1...1.6		100	100	5	0.280
SM1P 0250	1.6...2.5		100	100	5	0.350
SM1P 0400	2.5...4		100	100	5	0.350
SM1P 0650	4...6.5		100	100	5	0.350
SM1P 1000	6.3...10		100	100	5	0.350
SM1P 1400	9...14		25	12.5	5	0.350
SM1P 1800	13...18		25	12.5	5	0.350
SM1P 2300	17...23		15	5	1	0.350
SM1P 2500	20...25		15	5	1	0.350
SM1P 3200	24...32		10	5	1	0.350
SM1P 4000	30...40		10	5	1	0.350
Rotary knob type. For UL ratings see page 1-14.						
SM1R 0016	0.1...0.16		100	100	1	0.320
SM1R 0025	0.16...0.25		100	100	1	0.320
SM1R 0040	0.25...0.4		100	100	1	0.320
SM1R 0063	0.4...0.63		100	100	1	0.320
SM1R 0100	0.63...1		100	100	5	0.320
SM1R 0160	1...1.6		100	100	5	0.320
SM1R 0250	1.6...2.5		100	100	5	0.320
SM1R 0400	2.5...4		100	100	5	0.390
SM1R 0650	4...6.5		100	100	5	0.390
SM1R 1000❶	6.3...10		100	100	5	0.390
SM1R 1400❶	9...14		100	100	5	0.390
SM1R 1800❶	13...18		100	100	5	0.390
SM1R 2300❶	17...23		50	25	1	0.390
SM1R 2500❶	20...25		50	25	1	0.390
SM1R 3200❶	24...32		50	25	1	0.390
SM1R 4000	30...40		20	10	1	0.390

General characteristics

SM1P... and SM1R... are modern circuit breakers with thermal and magnetic trip releases and high breaking capacity. Motor control and protection of up to 22kW (400V) are possible by choosing the suitable adjustment range, 0.1 to 40A. The dimensions of SM1P... breakers are compliant with the DIN43880 standard, allowing them to be mounted in all modular enclosures on the market.

A magnetic trip indicator integrated on the SM1R... breakers avoids dangerous closing operations during short-circuit conditions, previously disconnected by the breaker. SM1R... up to 32A breakers, with SM1X90 00R accessory, are Type E-certified according to UL 60947-4-1; only for range from 6.5 to 32A the Type E version must be ordered with specific code SM1RE...❶. SM1R... motor protection circuit breakers combined with BG... and BF... contactors are Type F certified in compliance with UL60947-4-1 standard (see page 1-4 and 1-5). SM1P... and SM1R... motor protection circuit breakers are suitable for isolation in accordance with IEC/EN 60947 standards and can be padlocked in OFF position without using accessories. Their high breaking capacity consents to exclude protection fuses on the majority of the installations.

Operational characteristics

- IEC rated insulation voltage Ui: 690V
- IEC rated impulse withstand voltage: 6kV
- IEC rated frequency: 50/60Hz
- Maximum rated current: 40A
- Adjustment ranges: 16
- IEC breaking capacity: See table on page 1-2
- Heat dissipation per phase: 0.7...3.3W
- Magnetic tripping: 13In max.❷
- Tripping class: 10A
- Phase failure sensitive
- Mechanical life: 100,000 cycles
- Electrical life: 100,000 cycles
- Mounting on 35mm DIN rail (IEC/EN 60715)
- Mounting position: Any
- IEC utilisation category: A
- Padlocking in OFF: Ø4mm/0.16"
- IEC degree of protection: IP20.

Certifications and compliance

Certifications obtained: cULus, EAC. SM1R... circuit breakers are Type E and Type F certified (Self-Protected Combination Motor Controllers) according to UL 60947-4-1. Certifications pending: CCC. Compliant with standards: IEC/EN 60947-1, IEC/EN 60947-2, IEC/EN 60947-4-1, UL 60947-4-1, CSA C22.2 n° 60947-1, CSA C22.2 n° 60947-4-1. Plastic materials compliant with standards: IEC/EN 60335 and EN 45545.

Motor protection circuit breakers SM1RM... up to 40A. Magnetic protection



SM1RM...

Order code	Rated and magnetic trip current		Short circuit breaking capacity at 400V		Qty per pkg	Wt [kg]
	Rat. [A]	Tripping [A]	Icu [kA]	Ics [kA]		
Rotary knob type. For UL ratings see page 1-14.						
SM1RM 0016	0.16	1.6	100	100	1	0.320
SM1RM 0025	0.25	3.2	100	100	1	0.320
SM1RM 0040	0.4	5.2	100	100	1	0.320
SM1RM 0063	0.63	8.2	100	100	1	0.320
SM1RM 0100	1	13	100	100	5	0.320
SM1RM 0160	1.6	21	100	100	5	0.320
SM1RM 0250	2.5	33	100	100	5	0.320
SM1RM 0400	4	52	100	100	5	0.390
SM1RM 0650	6.5	85	100	100	5	0.390
SM1RM 1000	10	130	100	100	5	0.390
SM1RM 1400	14	182	100	100	5	0.390
SM1RM 1800	18	234	100	100	5	0.390
SM1RM 2300	23	299	50	25	1	0.390
SM1RM 2500	25	325	50	25	1	0.390
SM1RM 3200	32	416	50	25	1	0.390
SM1RM 4000	40	420	20	10	1	0.390

General characteristics

SM1RM... are motor protection circuit breakers with magnetic tripping only and high breaking capacity. They are typically used to protect starters where there is a thermal relay or other overload protection. Starter control and protection of up to 22kW (400V) are possible by choosing the suitable adjustment range, from 0.1 to 40A.

Operational characteristics

- IEC rated insulation voltage Ui: 690V
- IEC rated impulse withstand voltage: 6kV
- IEC rated frequency: 50/60Hz
- Maximum rated current: 40A
- IEC breaking capacity: See table on page 1-3
- Heat dissipation per phase: 0.7...3.3W
- Magnetic tripping: 13In max.❷
- Mechanical life: 100,000 cycles
- Electrical life: 100,000 cycles
- Mounting on 35mm DIN rail (IEC/EN 60715)
- Mounting position: Any
- IEC utilisation category: A
- Padlocking in OFF: Ø4mm
- IEC degree of protection: IP20.

Certifications and compliance

Certifications obtained: cULus, EAC. Certifications pending: CCC. Compliant with standards: IEC/EN 60947-1, IEC/EN 60947-2, IEC/EN 60947-4-1, UL 60947-4-1, CSA C22.2 n° 60947-1, CSA C22.2 n° 60947-4-1. Plastic materials compliant with standards: IEC/EN 60335 and EN 45545.

Motor protection circuit breakers SM2... and SM3... up to 100A. Magnetic and thermal protection



SM2R...



SM3R...

Order code	Thermal trip adjustment range	Short circuit breaking capacity at 400V		Qty per pkg	Wt
		Icu	Ics		
	[A]	[kA]	[kA]	n°	[kg]
Rotary knob type. For UL ratings see page 1-14.					
SM2R 5000	34...50	50	50	1	1.000
SM2R 6300	45...63	50	50	1	1.000
Rotary knob type. For UL ratings see page 1-14.					
SM3R 7500	55...75	50	38	1	2.200
SM3R 9000	70...90	50	38	1	2.200
SM3R 9900	80...100	50	38	1	2.200

General characteristics

SM2R... and SM3R... are modern circuit breakers with thermal and magnetic trip releases and high breaking capacity. Motor control and protection, up to 55kW (400V) are possible by choosing the suitable adjustment range, up to 100A. SM2R... and SM3R... breakers are Type E-certified according to UL 60947-4-1.

The SM2R... and SM3R... types are suitable for isolation according to IEC/EN 60947 standards and can be padlocked in OFF position without using accessories.

SM3... has a trip function which indicates thermal and magnetic tripping.

Their high breaking capacity consents to exclude protection fuses on the majority of the installations.

Operational characteristics

- IEC rated insulation voltage U_i : 1000V
- IEC rated impulse withstand voltage: 8kV
- IEC rated frequency: 50/60Hz
- Maximum rated current: 63A (for SM2...); 100A (for SM3...)
- Adjustment ranges: 2 (for SM2...); 3 (for SM3...)
- IEC breaking capacity: See table on page 1-2 and 1-3
- Max. heat dissipation per phase: 7W
- Magnetic tripping: 13In max.
- Tripping class: 10A
- Phase failure sensitive
- Mechanical life: 50,000 cycles
- Electrical life: 25,000 cycles
- Mounting on 35mm DIN rail (IEC/EN 60715)
- Mounting position: Any
- IEC utilisation category: A
- Padlocking in OFF: $\varnothing 4\text{mm}/0.16''$
- IEC degree of protection: IP20 on front.

Certifications and compliance

Certifications obtained: cULus, EAC.

SM2... and SM3... circuit breakers are Type E certified (Self-Protected Combination Motor Controllers) according to UL 60947-4-1; for Type E certification, SM3 only with accessory SM3X90 00R.

Compliant with standards: IEC/EN 60947-1, IEC/EN 60947-2, IEC/EN 60947-4-1, UL 60947-4-1, CSA C22.2 n° 60947-1, CSA C22.2 n° 60947-4-1.

SM1PF... circuit breakers Fuse monitoring function



SM1PF...

Order code	Fixed thermal release current	Short circuit breaking capacity at 400V		Qty per pkg	Wt
		Icu	Ics		
	[A]	[kA]	[kA]	n°	[kg]
Push button control. For UL ratings see page 1-14.					
SM1PF 0020	0.20	100	100	5	0.280

General characteristics

SM1PF... are breakers with magnetic-thermal tripping intended specifically for monitoring the status of fuses.

By connecting every phase of the breaker to a fuse, when it blows, the motor protection breaks.

Through the auxiliary contacts fitted on the motor protection, the blown fuses are signalled electrically.

Operational characteristics

- IEC rated insulation voltage U_i : 690V
- IEC rated impulse withstand voltage: 6kV
- IEC rated frequency: 50/60Hz
- Rated current: 0.2A
- Magnetic tripping: 1.2A.
- Mechanical life: 100,000 cycles
- Electrical life: 100,000 cycles
- Mounting on 35mm DIN rail (IEC/EN 60715)
- Mounting position: Any
- IEC utilisation category: A
- Padlocking in OFF: $\varnothing 4\text{mm}/0.16''$
- IEC degree of protection: IP20.

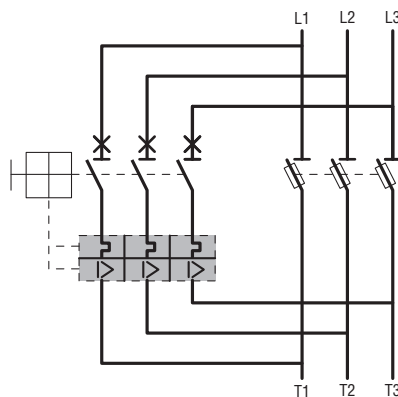
Certifications and compliance

Certifications obtained: cULus, EAC.

Certifications pending: CCC.

Compliant with standards: IEC/EN 60947-1, IEC/EN 60947-2, IEC/EN 60947-4-1, UL 60947-4-1, CSA C22.2 n° 60947-1, CSA C22.2 n° 60947-4-1.

Plastic materials compliant with standards: IEC/EN 60335 and EN 45545.



1 Motor protection circuit breakers

Add-on blocks and accessories for SM1...



SM1X11...



SM1X12... SM1X13...



SM1X14... SM1X15...P SM1X16...
SM1X15...R



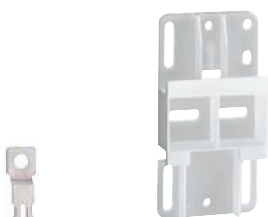
SM1X18 200R



SM1X9000R



SM1X18 S



SM1X89 02

BFX89 01

Order code	Characteristics	Qty per pkg	Wt
		n°	[kg]
Add-on auxiliary contacts.			
SM1X11 20	Front mount 2NO	10	0.016
SM1X11 11	Front mount 1NO+1NC	10	0.016
SM1X12 20	Side mount 2NO	1	0.036
SM1X12 11	Side mount 1NO+1NC	10	0.016
SM1X12 02	Side mount 2NC	1	0.036
SM1X13 11	Side mount. Contacts for thermal and magnetic tripping indication 1NO+1NC	1	0.036
SM1X13 11M	Side mount. Contacts for magnetic tripping indication 1NO+1NC	1	0.036
Undervoltage trip releases.			
SM1X14 024	24VAC 50Hz	1	0.130
SM1X14 110	110VAC 50Hz; 120VAC 60Hz	1	0.130
SM1X14 230	230VAC 50Hz	1	0.130
SM1X14 400	400VAC 50Hz; 440VAC 60Hz	1	0.130
SM1X15 024Ⓜ	With early-make contacts 24VAC 50Hz	1	0.140
SM1X15 110Ⓜ	With early-make contacts 110VAC 50Hz; 120VAC 60Hz	1	0.140
SM1X15 230Ⓜ	With early-make contacts 230VAC 50Hz	1	0.140
SM1X15 400Ⓜ	With early-make contacts 400VAC 50Hz	1	0.140
Shunt trip releases.			
SM1X16 024	24VAC 50/60Hz	1	0.130
SM1X16 110	110VAC 50/60Hz	1	0.130
SM1X16 230	230VAC 50/60Hz	1	0.130
SM1X16 400	400VAC 50/60Hz	1	0.130
Adjuster sealing kit.			
SM1X18 12	With wire and lead included	1	0.006
IP65 (4X) padlockable door coupling handle for SM1R...			
SM1X18 200R	Red/yellow complete with rod length 200mm/7.87"	1	0.115
SM1X18B 200R	Black complete with rod length 200mm/7.87"	1	0.115
SM1X18 SⓂ	Support for rod >145mm/5.71"	1	0.030
Phase separation barriers for SM1R...			
SM1X9000R	For Type E and Type F as UL60947-4-1	5	0.016
Three-phase connection busbars 45mm/1.77" spacing.			
11 SMX90 32	For 2 breakers	10	0.028
11 SMX90 33	For 3 breakers	10	0.050
11 SMX90 34	For 4 breakers	10	0.071
11 SMX90 35	For 5 breakers	10	0.092
Three-phase connection busbars 54mm/2.13" spacing.			
11 SMX90 42	For 2 breakers	10	0.031
11 SMX90 43	For 3 breakers	10	0.056
11 SMX90 44	For 4 breakers	10	0.081
11 SMX90 45	For 5 breakers	10	0.090
Terminal block for busbar supply.			
11 SMX90 30	For all busbar types	10	0.048
Safety cover.			
11 SMX90 31	For unused terminals	10	0.004
Accessories for motor protection breaker fixing.			
SM1X89 02	Metal bracket for fixing SM1... motor protection with screws	10	0.006
BFX89 01	Universal plastic base for screw-fixing SM1... motor protection circuit breaker	2	0.016

General and operational characteristics

ADD-ON AUXILIARY CONTACTS

- Connectable to the left side of the breaker or on the front
- Maximum combinations: 3 SM1X... blocks with 6 auxiliary contacts in total of which 1 front block and 2 side blocks
- IEC conventional free air thermal current I_{th}: 10A (5A for SM1X11...)
- IEC rated insulation voltage U_i: 690V (300V for SM1X11...)
- Rated impulse withstand voltage U_{imp} 6kV (4kV for SM1X11...)
- UL/CSA and IEC/EN 60947-5-1 designation: A600 - Q600 (C300 - R300 for SM1X11...)
- Maximum tightening torque: 1Nm / 9lbin
- Conductor cross section minimum-maximum (1 or 2 wires): 0.75...2.5mm² or 18...14AWG.
- Screw tightening tool: Phillips 2
- Maximum tightening torque: 1Nm / 9lbin
- Width of side-mount auxiliary contacts equal to 0.5 DIN 46880 modules
- IEC degree of protection: IP20.

UNDervOLTAGE TRIP RELEASES

- Snap on to the right side of the breaker
- Consumption inrush/holding: 12/3.5VA
- Release voltage: 0.35...0.7Us
- Operating voltage: 0.85...1.1Us
- Maximum tightening torque: 1Nm / 9lbin
- Conductor cross section minimum-maximum (1 or 2 wires): 0.75...2.5mm² or 18...14AWG.
- Screw tightening tool: Phillips 2
- Maximum tightening torque: 1Nm / 9lbin
- Width of side-mount auxiliary contacts equal to 1 DIN 46880 module
- IEC degree of protection: IP20.

SHUNT TRIP RELEASES

- Snap on to the right side of the breaker
- In-rush consumption: 20VA
- Operating voltage: 0.7...1.1Us
- Conductor cross section minimum-maximum (1 or 2 wires): 0.75...2.5mm² or 18...14AWG.
- Screw tightening tool: Phillips 2
- Maximum tightening torque: 1Nm / 9lbin
- Width of side-mount auxiliary contacts equal to 1 standard DIN 46880 module
- IEC degree of protection: IP20.

PADLOCKABLE DOOR COUPLING HANDLE FOR SM1R...

- IEC degree of protection: IP65
- Degree of protection according to UL: Type 1, 2, 3R, 12, 12K, 4, 4X; external use
- Adjustable rod from 48 to 212mm (1.89" to 8.35")
- Ring-fixing in 22mm/0.87" hole.

THREE-PHASE CONNECTION BUSBARS

- I_{max} 63A
- SMX90 3... 45mm/1.77" spacing to reduce the width to the minimum
- SMX90 4... 54mm/2.13" spacing to consent to fit one side-mount auxiliary contact block on the breaker.

TERMINAL BLOCKS FOR BUSBAR SUPPLY

- I_{max} 63A
- Screw tightening tool: Phillips 2
- Maximum tightening torque: 2.3Nm / 20lbin
- Conductor cross section minimum-maximum: 4...25mm² or 10...4AWG.

Certifications and compliance

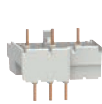
Certifications obtained: cULus (except terminal block for busbar supply), EAC.
 Certifications pending: CCC.
 Compliant with standards: IEC/EN 60947-1, IEC/EN 60947-5-1, UL 60947-4-1, CSA C22.2 n° 60947-1, CSA C22.2 n° 60947-4-1.

① Complete the order code by indicating P for mounting on SM1P... motor protection circuit breakers, or R for SM1R... motor protection circuit breakers.

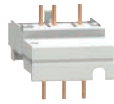
② Mounting also possible with side-mount auxiliary contacts SM1X12... and SM1X13...

1 Motor protection circuit breakers

Add-on blocks and accessories for SM1...



SM1X30...



SM1X31...
SM1X32...



SM1Z17 01P



SM1Z17 02P



SM1Z17 05P



SM1Z17 15R



SM1Z17 25R



SM1X17 40P



SM1X17 45P



SM1X17 46P



SM1X17 024R

new

new



11 SMX90 10



11 SMX90 12

Order code	Characteristics	Qty per pkg	Wt [kg]
		n°	[kg]
Rigid SM1 breaker-contactor connections.			
SM1X30 40P	For motor protection breaker SM1P... with BG... mini-contactors	10	0.019
SM1X31 41P	For motor protection breaker SM1P... with BF09..25A contactors	10	0.035
SM1X32 41P	For motor protection breaker SM1P... with BF26..38A contactors (max 32A)	10	0.045
SM1X30 40R	For motor protection breaker SM1R... with BG... mini-contactors	10	0.019
SM1X31 41R	For motor protection breaker SM1R... with BF09..25A contactors	10	0.035
SM1X31 42R	For motor protection breaker SM1R... with contactors BF09..25D and BF09..25L	10	0.044
SM1X32 41R	For motor protection breaker SM1R... with contactors BF26..38A (max 32A)	10	0.045
Surface mount enclosures IP65 (4X) for SM1P...			
SM1Z17 01P	Width 80mm/3.15" ^①	1	0.235
SM1Z17 02P	Width 80mm/3.15". With button for emergency stop	1	0.275
SM1Z17 11P	Width 100mm/3.94" ^①	1	0.315
SM1Z17 12P	Width 100mm/3.94". With button for emergency stop	1	0.345
Flush mount enclosure IP65 (4X) for SM1P...			
SM1Z17 05P	Width 87mm/3.42" ^①	1	0.205
Surface mount enclosures IP65 (4X) for SM1R...			
SM1Z17 15R	With rotary actuator red/yellow. Width 100mm/3.94"	1	0.350
SM1Z17 10R	With black rotary actuator Width 100mm/3.94"	1	0.350
Flush mount enclosures IP65 for SM1R (UL type 4X)			
SM1Z17 25R	With rotary actuator yellow/red Width 87mm/3.42"	1	0.245
SM1Z17 20R	With rotary actuator black Width 87mm/3.42"	1	0.245
ENCLOSURE ACCESSORIES AND SPARE PARTS. For SM1Z...P enclosures.			
SM1X17 40P	Emergency stop button. IP65 (4X)	1	0.044
SM1X17 45P	Rubber membrane with rim. IP65 (4X)	1	0.016
SM1X17 46P	Lockable block. IP65 (4X)	1	0.030
LED pilot lights IP65.			
SM1X17 024G	Green 24VAC/DC	1	0.007
SM1X17 024R	Red 24VAC/DC	1	0.007
SM1X17 400G	Green 110...400VAC	1	0.007
SM1X17 400R	Red 110...400VAC	1	0.007
Plastic M25 to 1/2" NPT entry adapter.			
11 LM M25 PG16	For enclosures SM1Z17 01P and SM1Z17 02P	10	0.009
Starter assembly adapter plates.			
11 SMX90 10	Adapter plate for direct starter comprising breaker SM1... and contactor BG..., BF09A...BF38A	1	0.058
11 SMX90 12	Adapter plate for reversing switch comprising breaker for motor protection SM1... contactors BG..., BF09A...BF38A	1	0.095
11 SMX90 14	Adapter plate for starter star-delta comprising motor protection breaker SM1... and contactors BF09A...BF38A	1	0.118
11 SMX90 18	35mm rail for passage of wires underneath to contactor; for SMX90 14	1	0.025
11 SMX90 19	DIN rail extension 35mm/1.38"	1	0.025

General and operational characteristics

RIGID SM1 BREAKER-CONTACTOR CONNECTIONS

The SM1X3... connections electrically and mechanically fasten the motor protection breaker together with the contactor. This forms a highly compact single-unit starter for quick installation on a single 35mm DIN rail.

The SM1X3... connections can also be mounted in combination with reversing switches and star-delta starters made with the rigid connections indicated in section 2.

SURFACE MOUNT ENCLOSURES

- Top or bottom cable entry:
- SM1Z17 01P and SM1Z17 02P 4 M25-threaded knock-outs
- SM1Z17 11P and SM1Z17 12P 4 knock-out with Ø20.5mm/0.81" or Ø26.5mm/1.04"
- SM1Z17 10R e SM1Z17 15R 4 - knock-out with Ø20.5mm/0.81" or Ø26.5mm/1.04"
- Possibility of rear entry too
- Protection rating: IP65 (UL Type 4X)
- Holds a breaker, one front-mount auxiliary contact block either one shunt or undervoltage release and one pilot light; only for SM1Z17 10R and SM1Z17 15R, 2 side-mount auxiliary contact blocks can be fitted as well
- The SM1Z17 10R and SM1Z17 15R rotary actuators can be padlocked with a maximum of 3 padlocks Ø4...8mm/0.16...0.31"
- Earth/ground terminal included
- Operating temperature: -25...+60°C
- Storage temperature: -50...+80°C.

FLUSH MOUNT ENCLOSURES FOR SM1P AND SM1R

- Holds a SM1P breaker, one front-mount auxiliary contact block and either one shunt or undervoltage release
- Protection rating: IP65 (UL Type 4X)
- Earth/ground terminal included
- 70x115mm/2.76x4.53" cutout for SM1P
- 70x143mm/2.77x5.65" cutout for SM1R
- Operating temperature: -25...+60°C
- Storage temperature: -50...+80°C.

ENCLOSURE ACCESSORIES

Emergency stop button:

- Turn to release
- Red button Ø35mm/1.38".

Lockable block:

- Prevents closing operation; 3 padlocks maximum Ø4...8mm/0.16...0.31".

STARTER ASSEMBLY ADAPTER PLATES

These accessories permit the assembly of starters, making slim and compact equipment that's easy and quick to install.

The starter adapter plates install on DIN rail 35mm/1.38".

Certifications and compliance

Certifications obtained: cULus except SM1X17 024..., SM1X17 400..., SMX90... and 11 LM M25 PG16), EAC. Certifications pending: CCC for rigid connections and enclosures (maximum current enclosures for cULus: 25A).

Compliant with standards: IEC/EN 60947-1, IEC/EN 60947-5-1, UL 60947-4-1, CSA C22.2 n° 60947-1, CSA C22.2 n° 60947-4-1.

For cURus pilot lights, please contact Technical support (Tel. 035 4282422; E-mail: service@LovatoElectric.com).

① Complete with rubber membrane.

1 Motor protection circuit breakers

Add-on blocks and accessories for SM2... and SM3...



SM2X11...



SM2X12...

SM2X13 11



SM2X14...

SM2X16...



SM2X18...

Order code	Characteristics	Qty per pkg	Wt
		n°	[kg]

Add-on auxiliary contacts.

SM2X11 20	Front mount 2NO	10	0.020
SM2X11 11	Front mount 1NO+1NC	10	0.020
SM2X11 02	Front mount 2NC	10	0.020
SM2X12 20	Side mount 2NO	2	0.040
SM2X12 11	Side mount 1NO+1NC	10	0.040
SM2X12 02	Side mount 2NC	2	0.040
SM2X13 11	Side mount. Indicator contacts for thermal and magnetic tripping 1NO+1NC	2	0.040

Undervoltage trip releases.

SM2X14 230	230VAC 50/60Hz	5	0.100
SM2X14 400	400VAC 50/60Hz	5	0.100
SM2X14 440	440VAC 50/60Hz	5	0.100

Shunt trip releases.

SM2X16 024	24VAC 50/60Hz	5	0.100
SM2X16 110	110VAC 50/60Hz	5	0.100
SM2X16 230	230VAC 50/60Hz	5	0.100
SM2X16 400	400VAC 50/60Hz	5	0.100
SM2X16 440	440VAC 50/60Hz	5	0.100

Padlockable IP65 (4X) door coupling handle for SM2R and SM3R.

SM2X18 200R	Red/yellow complete with rod length 200mm/7.87"	1	0.115
SM2X18 B200R	Black complete with rod with rod length 200mm/7.87"	1	0.115

Phase separation barriers set for SM3R...

SM3X90 00R	For Type E as per UL60947-4-1	1	0.175
-------------------	-------------------------------	---	-------

General and operational characteristics

ADD-ON AUXILIARY CONTACTS

- Insert on the top front or snap on the left side of the breaker
- Maximum combinations: 3 SM2X... blocks with 6 auxiliary contacts in total of which 1 front block and 2 side blocks
- IEC conventional free air thermal current I_{th}: 10A (5A for SM2X11...)
- IEC rated insulation voltage U_i: 690V (250V for SM2X11...)
- UL/CSA and IEC/EN 60947-5-1 designation: A600 – Q300 (B300 - R300 for SM1X11...)
- Conductor cross section minimum-maximum (1 or 2 wires): 0.75...2.5mm or 18...14AWG
- Screw tightening tool: Pz 2
- Maximum tightening torque: 1.2Nm / 10lbin
- Width of side-mount auxiliary contacts equal to 0.5 DIN 46880 modules.

UNDERVOLTAGE TRIP RELEASES

- Snap on to the right side of the breaker for motor protection
- Consumption in-rush/holding: 8.5/3VA
- Release voltage: 0.35...0.7Us
- Operating limits: 0.85...1.1Us
- Conductor cross section minimum-maximum (1 or 2 wires): 0.75...2.5mm 2 or 18...14AWG
- Screw tightening tool: Pz 2
- Maximum tightening torque: 1.2Nm / 10lbin
- Width of side-mount auxiliary contacts equal to 1 DIN 46880 module.

SHUNT TRIP RELEASES

- Snap on to the right side of the breaker
- In-rush consumption: 20VA
- Operating limits: 0.85...1.1Us
- Conductor cross section minimum-maximum (1 or 2 wires): 0.75...2.5mm 2 or 18...14AWG
- Screw tightening tool: Pz 2
- Maximum tightening torque: 1.2Nm / 10lbin
- Width of side-mount auxiliary contacts equal to 1 standard DIN 46880 module.

PADLOCKABLE DOOR COUPLING HANDLE FOR SM2R and SM3R

- IEC degree of protection: IP65
- Degree of protection according to UL: Type 1, 2, 3R, 12, 12K, 4, 4X; external use
- Adjustable rod from 48 to 212mm (1.89" to 8.35")
- Ring-fixing in 22mm/0.87" hole.

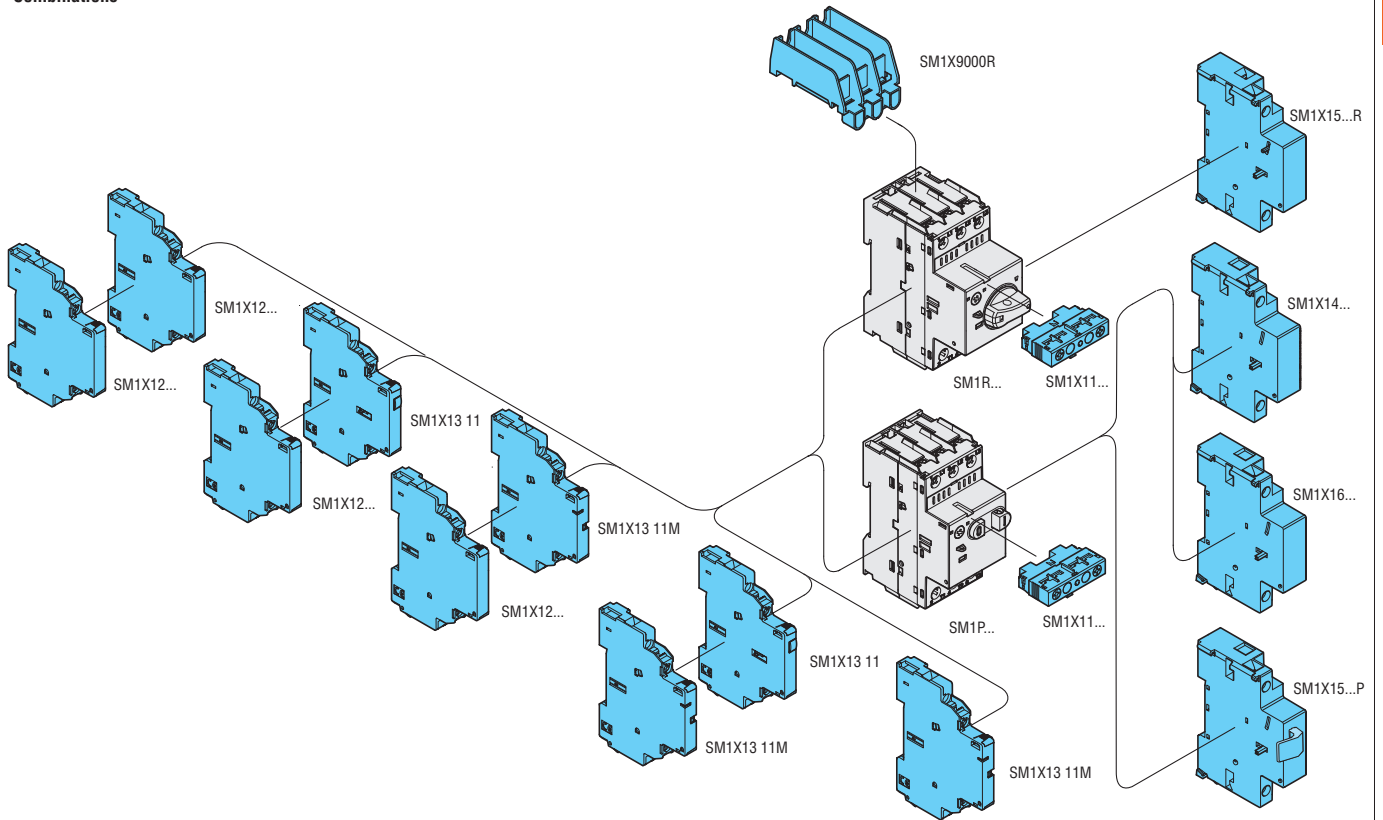
Certifications and compliance

Certifications obtained: cULus, EAC.
Compliant with standards: IEC/EN 60947-1, IEC/EN 60947-5-1, UL 60947-4-1, CSA C22.2 n° 60947-1, CSA C22.2 n° 60947-4-1.

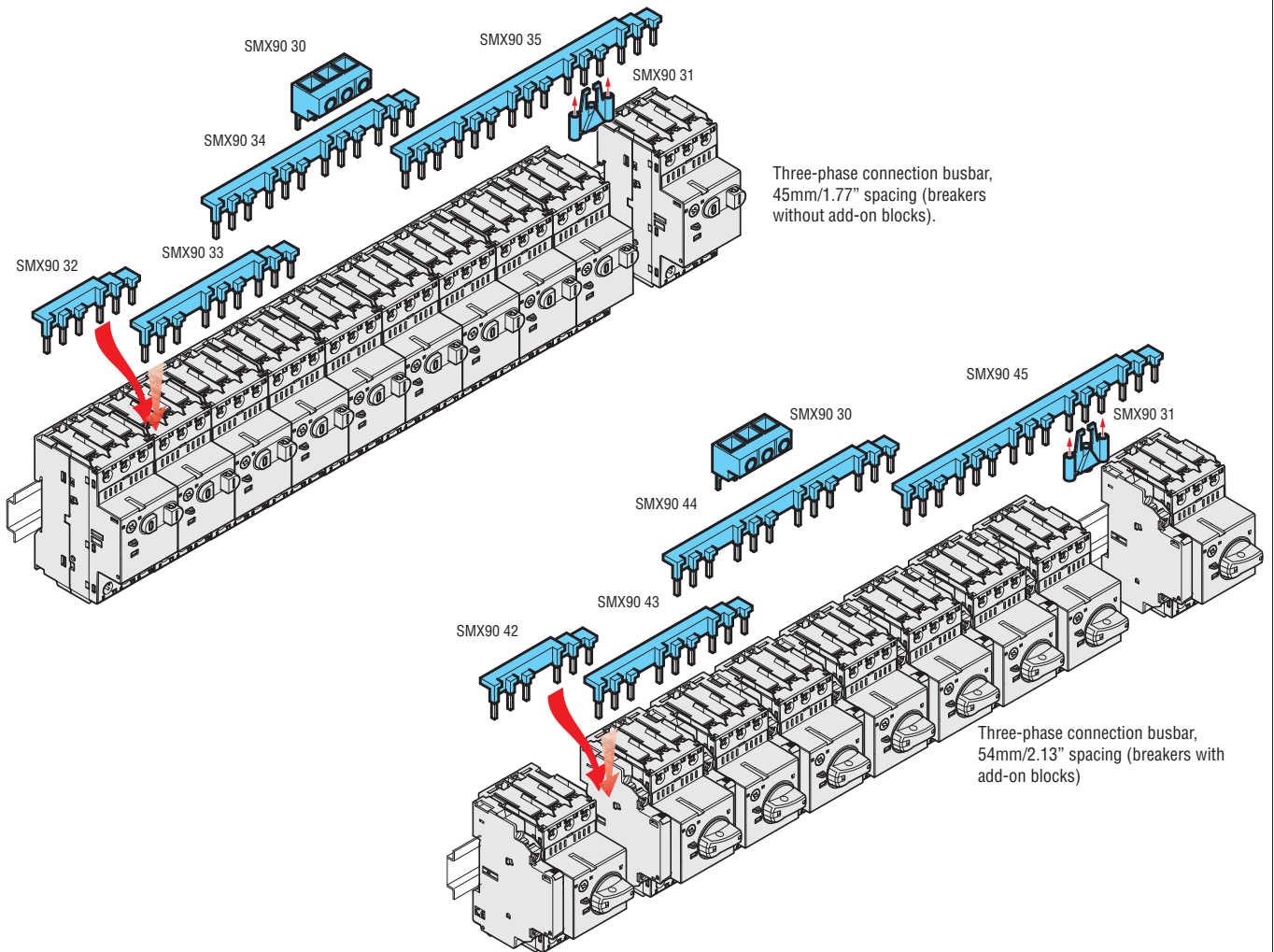
1 Motor protection circuit breakers

Add-on blocks and accessories for SM1...

Combinations



Three-phase connection busbars.

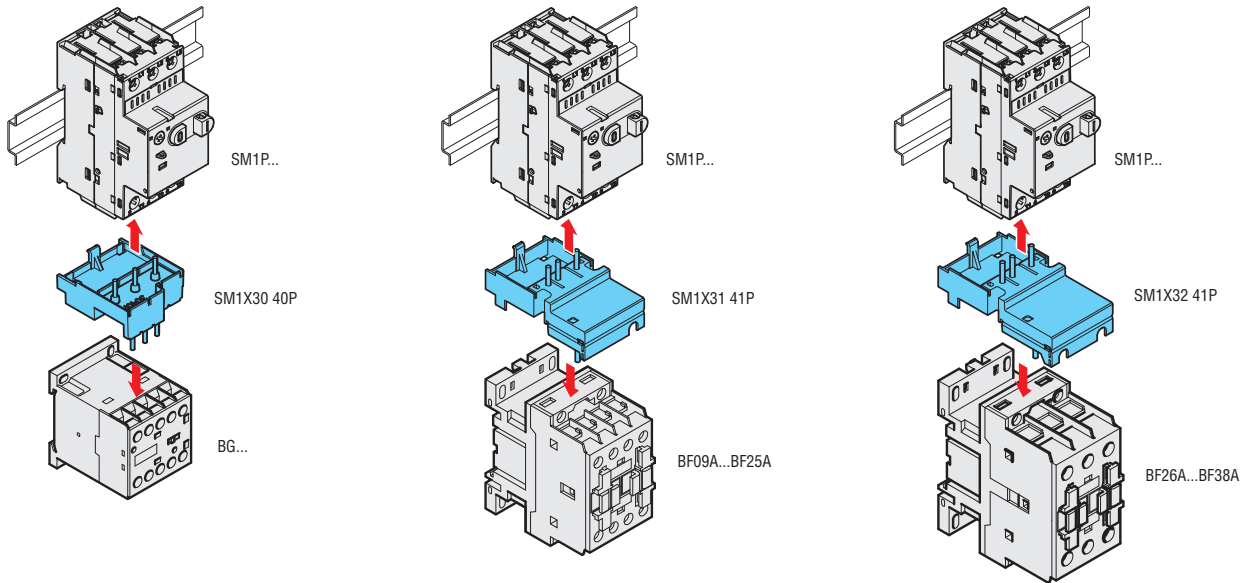


1 Motor protection circuit breakers

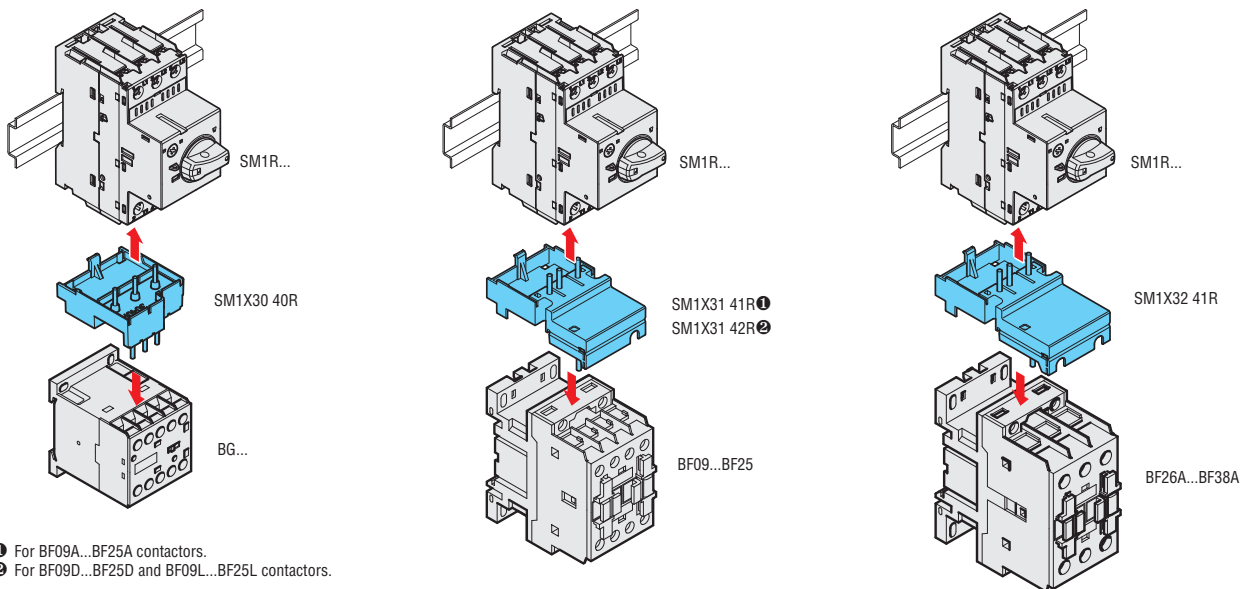
Add-on blocks and accessories for SM1...

Combinations

Rigid SM1P... breaker - contactor connections.

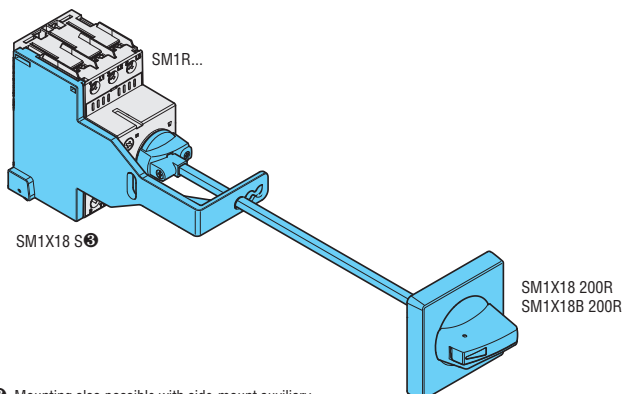


Rigid SM1R... breaker - contactor connections.



- ① For BF09A...BF25A contactors.
- ② For BF09D...BF25D and BF09L...BF25L contactors.

Padlockable door coupling handle.



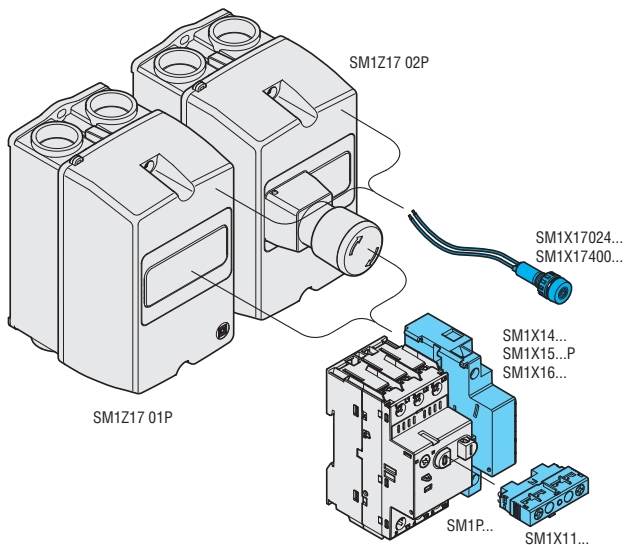
- ③ Mounting also possible with side-mount auxiliary contacts SM1X12... and SM1X13...

1 Motor protection circuit breakers

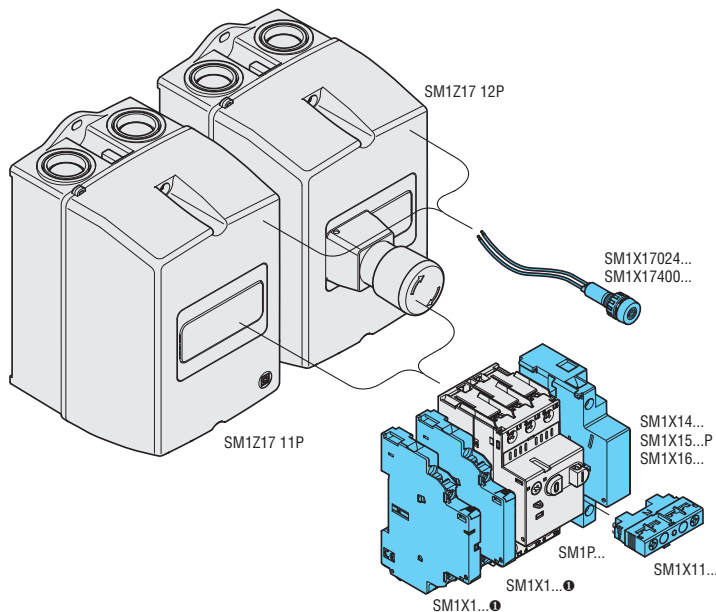
Add-on blocks and accessories for SM1...

Combinations

Surface mount enclosures for SM1P... Width 80mm.

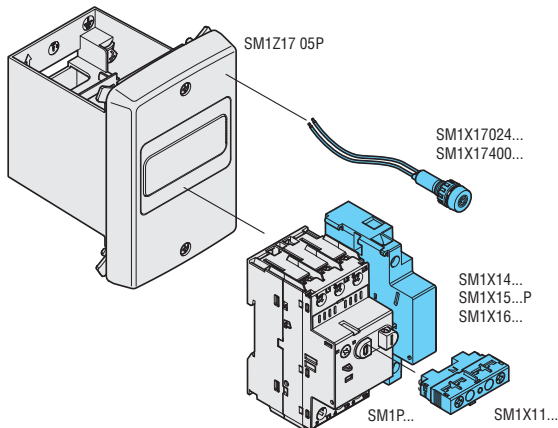


Surface mount enclosures for SM1P... Width 100mm.

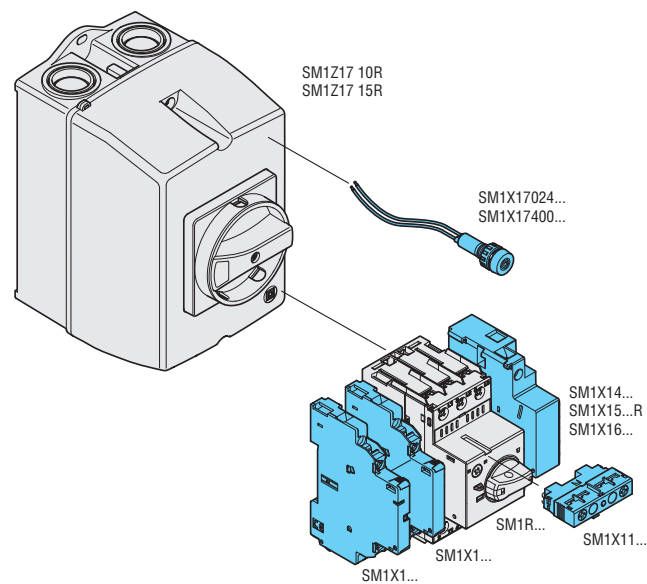


① Contacts for magnetic tripping indication SM1X13 11M when mounted in SM1Z17 11P and SM1Z17 12P, can't be mounted alone, but shall be mounted in combination with SM1X12... on SM1X 1311.

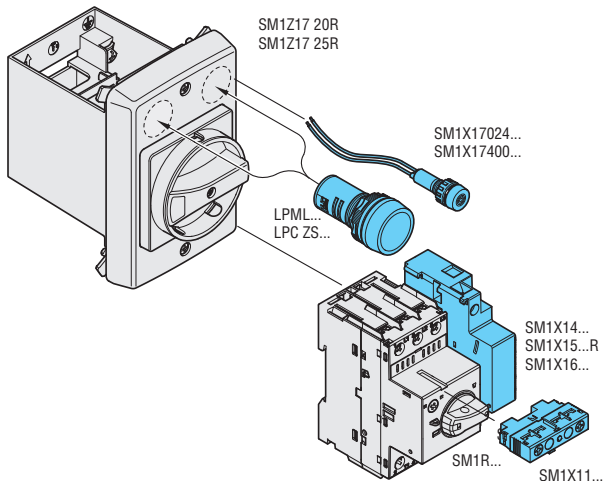
Flush mount enclosures for SM1P... Width 87mm/3.42".



Surface mount enclosures for SM1R... Width 100mm/3.94".



Flush mount enclosures for SM1R... width 87mm/3.42".

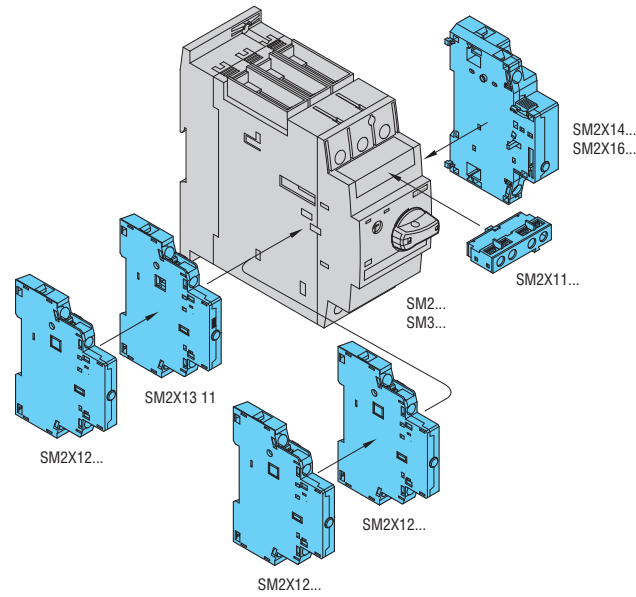


1 Motor protection circuit breakers

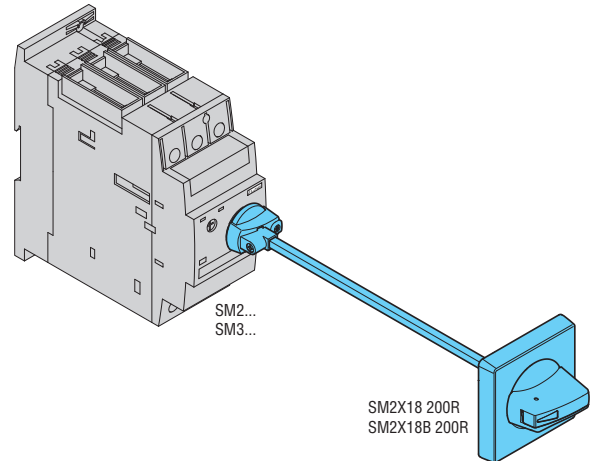
Add-on blocks and accessories for SM2... and SM3...

Combinations

Combinations of SM2... and SM3... motor protection circuit breakers



Padlockable door coupling handle.



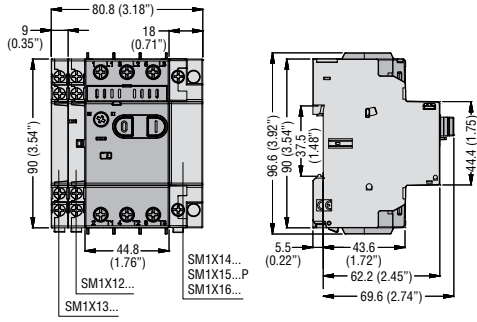
MAXIMUM UL/CSA HORSEPOWER RATINGS

		Single-phase			Three-phase, 3-pole		
		110V-120V	220V-240V	200V-208V	220-240V	440-/480V	550V-600V
		[HP]	[HP]	[HP]	[HP]	[HP]	[HP]
SM1R 0016	SM1P 0016	—	—	—	—	—	—
SM1R 0025	SM1P 0025	—	—	—	—	—	—
SM1R 0040	SM1P 0040	—	—	—	—	—	—
SM1R 0063	SM1P 0063	—	—	—	—	—	—
SM1R 0100	SM1P 0100	—	—	—	—	1/2	1/2
SM1R 0160	SM1P 0160	—	1/10	—	—	3/4	1
SM1R 0250	SM1P 0250	—	1/6	1/2	1/2	1	1.5
SM1R 0400	SM1P 0400	1/8	1/3	3/4	3/4	2	3
SM1R 0650	SM1P 0650	1/4	1/2	1.5	1.5	3	5
SM1R 1000	SM1P 1000	1/2	1.5	2	3	5	7.5
SM1R 1400	—	3/4	2	3	3	10	10
SM1R 1800	—	1	3	5	5	10	15
SM1R 2300	—	1.5	3	5	7.5	15	20
SM1R 2500	—	2	3	5	7.5	15	20
SM1R 3200	—	2	5	10	10	20	30
SM1R 4000	—	3	7.5	10	10	30	30
—	SM1P 1400	3/4	2	3	3	10	—
—	SM1P 1800	1	3	5	5	10	—
—	SM1P 2300	1.5	3	5	7.5	15	—
—	SM1P 2500	2	3	5	7.5	15	—
—	SM1P 3200	2	5	10	10	20	—
—	SM1P 4000	3	7.5	10	10	30	—
SM2R 5000	—	3	10	15	15	30	40
SM2R 6300	—	5	10	20	20	40	60
SM3R 7500	—	5	15	20	25	50	60
SM3R 9000	—	7 1/2	20	25	30	60	75
SM3R 9900	—	10	20	30	30	75	100

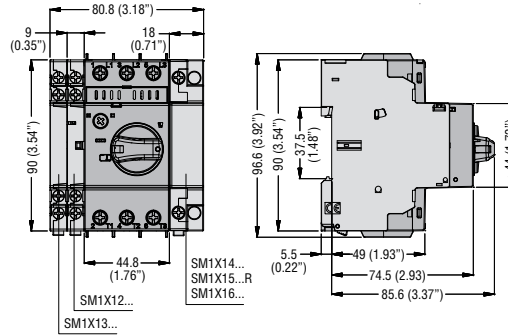
1 Motor protection circuit breakers

Dimensions [mm (in)]

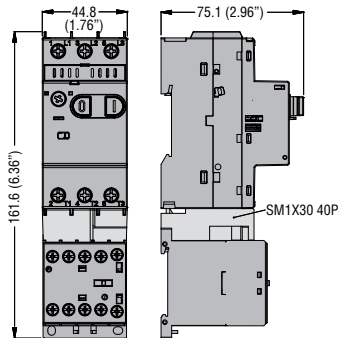
SM1P... with side-mount auxiliary contacts



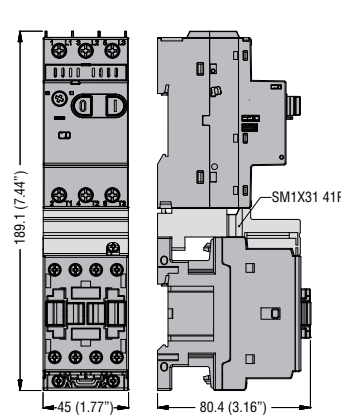
SM1R... with side-mount auxiliary contacts



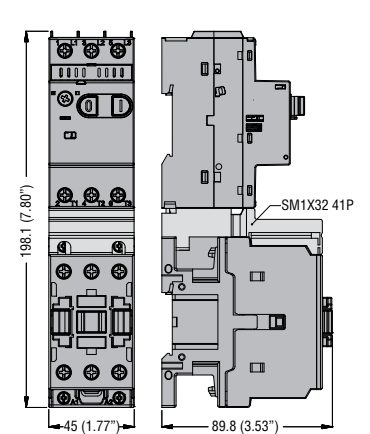
SM1P... with BG... mini-contacts and connection SM1X30 40P



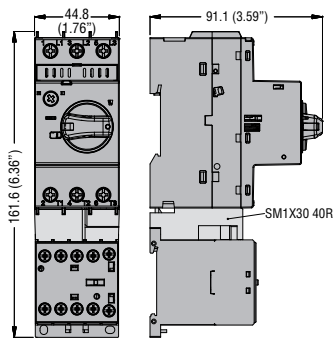
SM1P... with BF09 A...BF25 A... contactors and connection SM1X31 41P



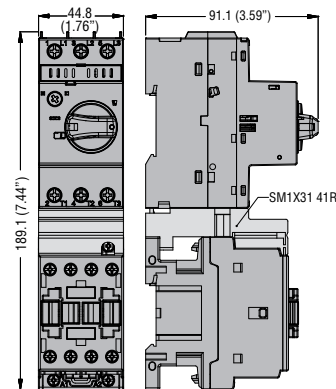
SM1P... with BF26 A...BF38 A... contactors and connection SM1X32 41P



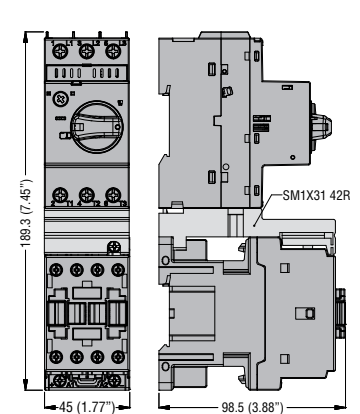
SM1R... with BG... mini-contacts and connection SM1X30 40R



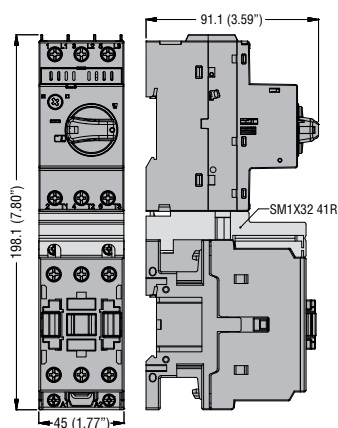
SM1R... with BF09 A...BF25 A... contactors and connection SM1X31 41R



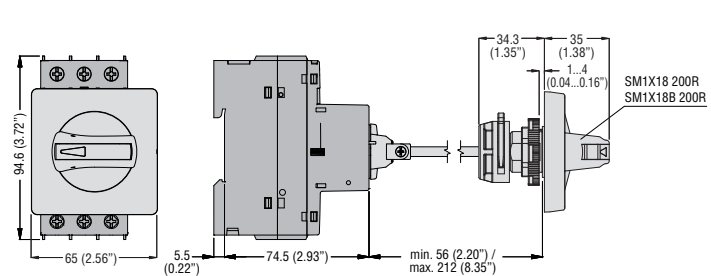
SM1R... with BF09 D...BF25 D... contactors BF09 L...BF25 L... and connection SM1X31 42R



SM1R... with BF26 A...BF38 A... contactors and connection SM1X32 41R



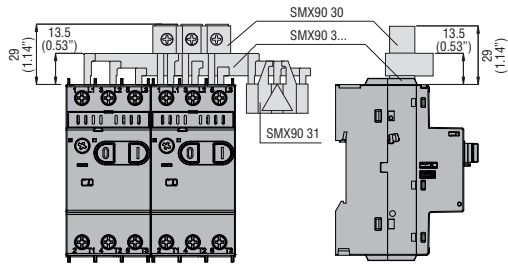
SM1R... padlockable door coupling handle SM1X18 200R or SM1X18B 200R



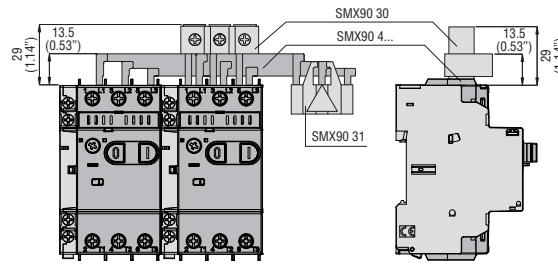
1 Motor protection circuit breakers

Dimensions [mm (in)]

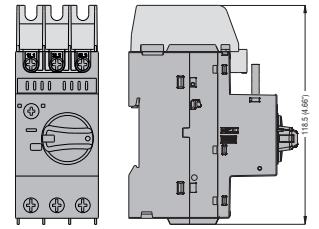
These elements mounted with **SM1... breakers** without side-mount auxiliary contacts



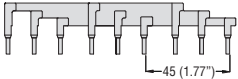
These elements mounted with **SM1... breakers** with side-mount auxiliary contacts **SMX12... or SMX13 11**



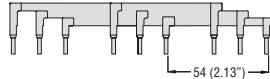
SM1X90 03R



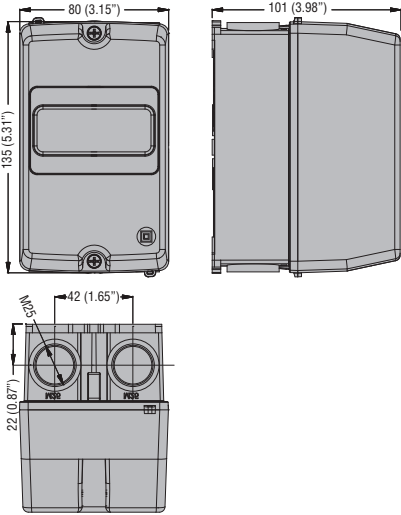
SMX90 32 - SMX90 33 - SMX90 34 - SMX90 35
Connection busbars – 45mm/1.77" spacing



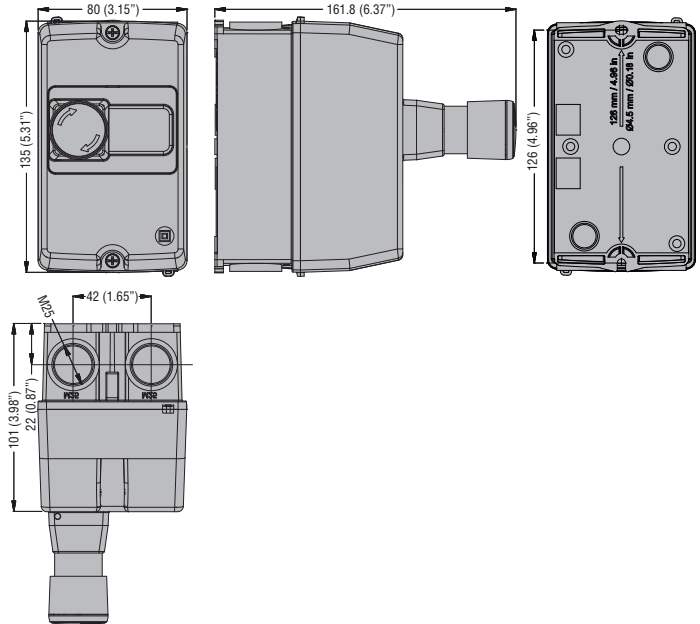
SMX90 42 - SMX90 43 - SMX90 44 - SMX90 45
Connection busbars – 54mm/2.13" spacing



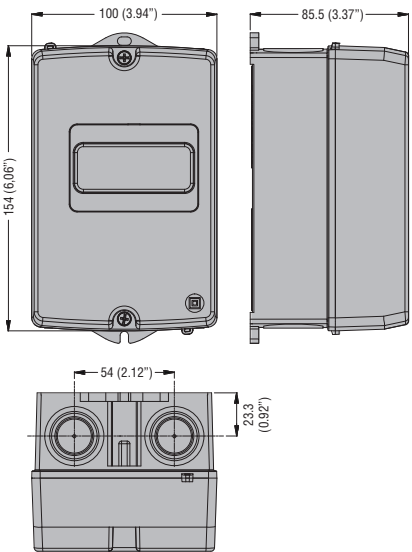
Enclosures **SM1Z17 01P**



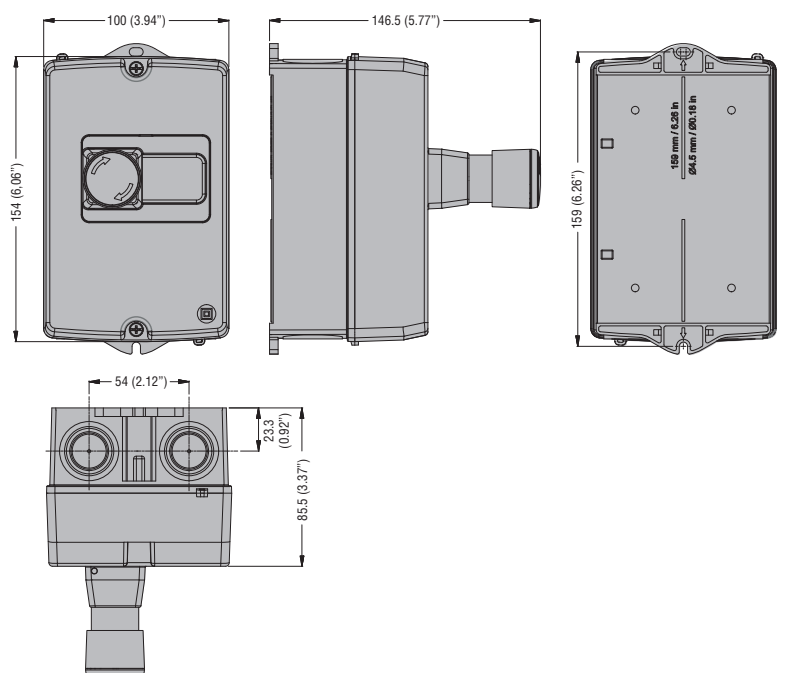
Enclosures **SM1Z17 02P**



Enclosures **SM1Z17 11P**



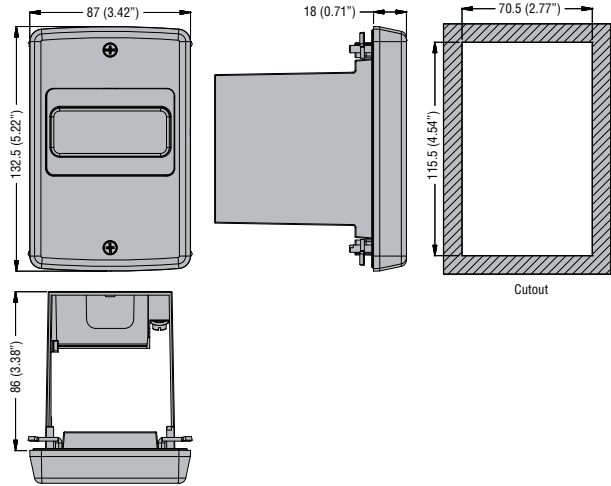
Enclosures **SM1Z17 12P**



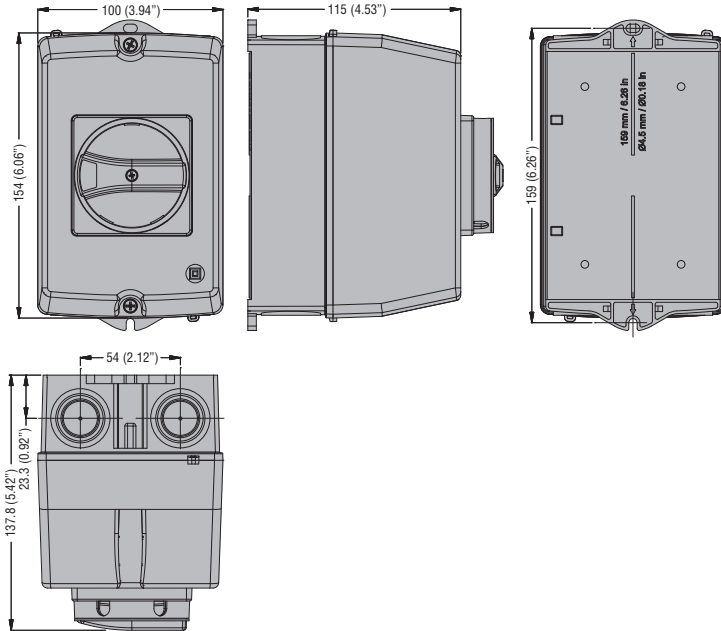
1 Motor protection circuit breakers

Dimensions [mm (in)]

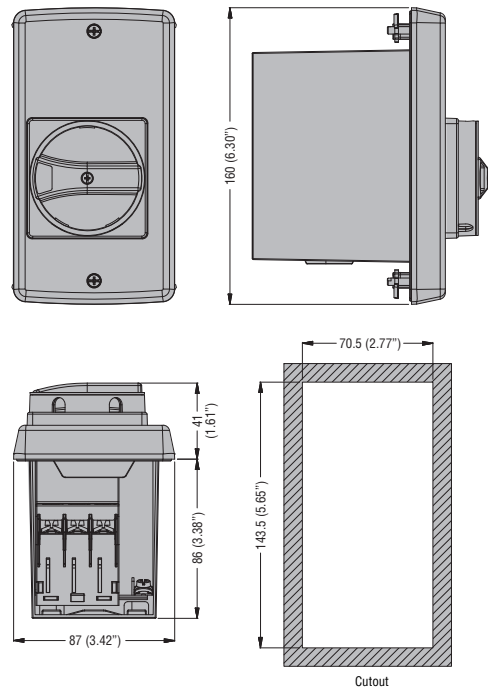
Enclosures **SM1Z17 05P**



Enclosures **SM1Z17 15R** and **SM1Z17 10R**



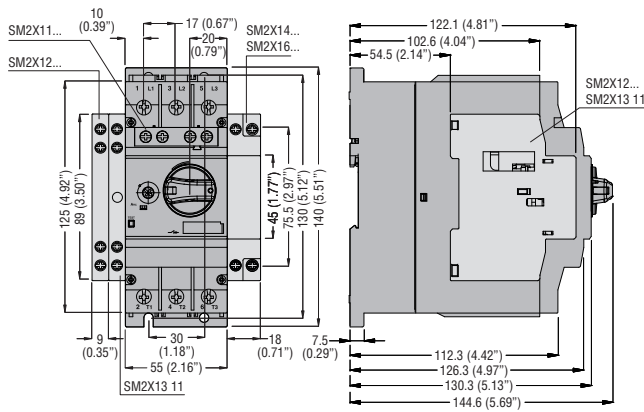
Enclosures **SM1Z17 20R** and **SM1Z17 25R**



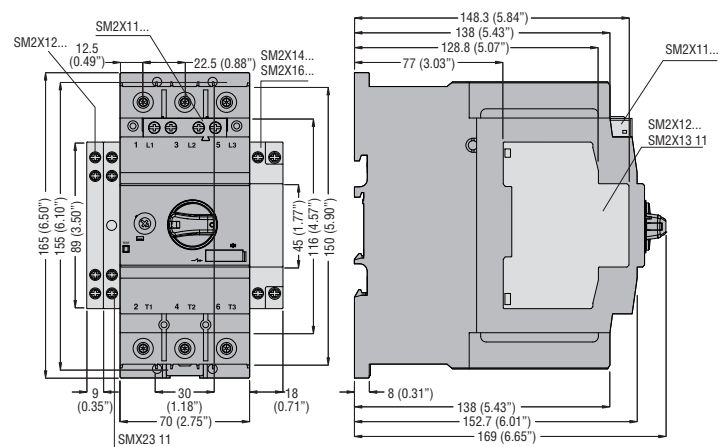
1 Motor protection circuit breakers

Dimensions [mm (in)]

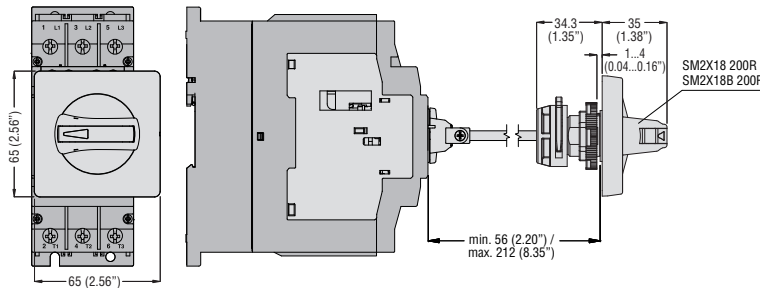
SM2... with side-mount auxiliary contacts



SM3... with side-mount auxiliary contacts

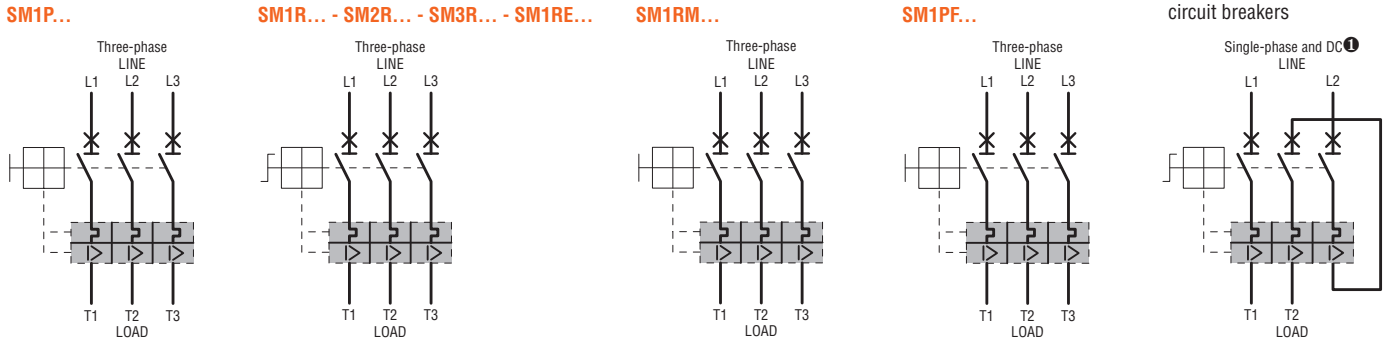


SM2... and SM3... padlockable door coupling handle
SM2X18 200R or SM2X18B 200R



Wiring diagrams

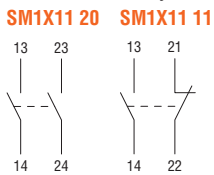
MOTOR PROTECTION CIRCUIT BREAKERS



❶ Consult our Technical support for DC use.

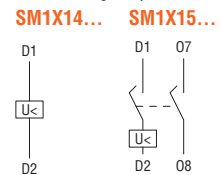
ADD-ON BLOCKS

For SM1... types
Front mount auxiliary contacts

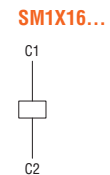


Side mount auxiliary contacts

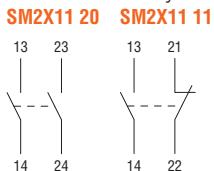
Side mount undervoltage trip releases



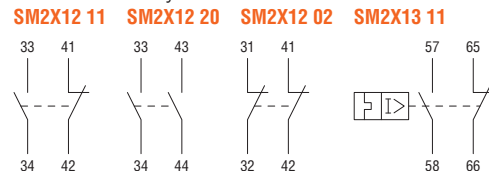
Side mount shunt trip release



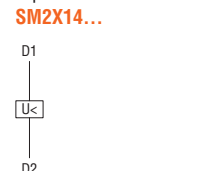
For SM2R... and SM3R types
Front mount auxiliary contacts



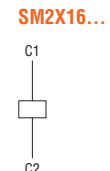
Side mount auxiliary contacts



Side mount undervoltage trip release



Side mount shunt trip release



1 Motor protection circuit breakers

Technical characteristics

TYPE		SM1P...	SM1R...	SM2R...	SM3R...	
Rated insulation voltage U_i	V	690		1000		
Rated impulse withstand voltage	kV	6				
Rated frequency: 50/60Hz						
Maximum rated current	A	40	40	63	100	
Number of adjustment ranges	No.	16	16	2	3	
Total power dissipation at maximum current	W	5...15	5...15	7.1...20	10...38	
Magnetic tripping	A	$13 \times I_n$ ①	$13 \times I_n$	$13 \times I_n$	$13 \times I_n$	
Mechanical life	cycles	100,000	100,000	50,000	50,000	
Electrical life (I_e max AC3)	cycles	100,000	100,000	25,000	25,000	
Terminal tightening torque	Nm	2.5...3	2.5...3	4.5	6	
	lbft	1.8...2.2	1.8...2.2	40	53	
	Tool	PH2	PH2	PZ2	Allen 4mm	
Conductor section minimum and maximum (1 or 2 wires)	AWG	No.	16...8	16...8	18...3	10...1/0
		mm ²	1...10	1...10	0.75...25	10...50
AMBIENT CONDITIONS						
Temperature	operating	°C	-20...+60 ②	-20...+60 ②	-20...+70 ②	-20...+70 ②
	storage	°C	-50...+80	-50...+80	-50...+80	-50...+80
	compensation	°C	-20...+50	-20...+50	-5...+40	-5...+40
Maximum altitude	m	3000				
Mounting position		Any				
Fixing		On 35mm DIN rail or screw via accessory		On 35mm DIN rail or screw		

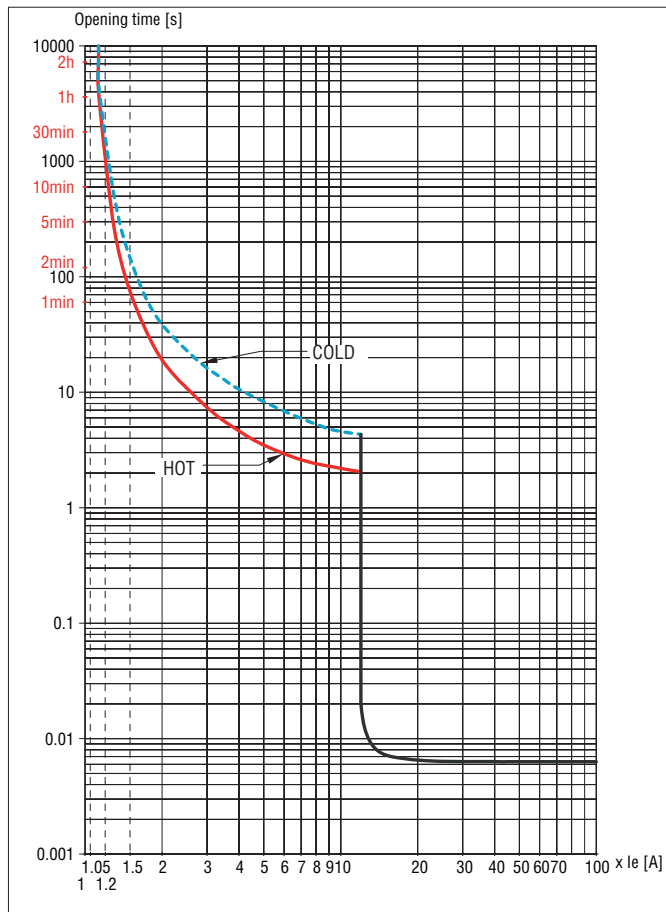
E.g. PH = Phillips; PZ = Pozidriv; Allen is metric type.

① SM1PF00 20 has a single 0.2A thermal adjustment and magnetic tripping at $6 \times I_n$ (1.2A).

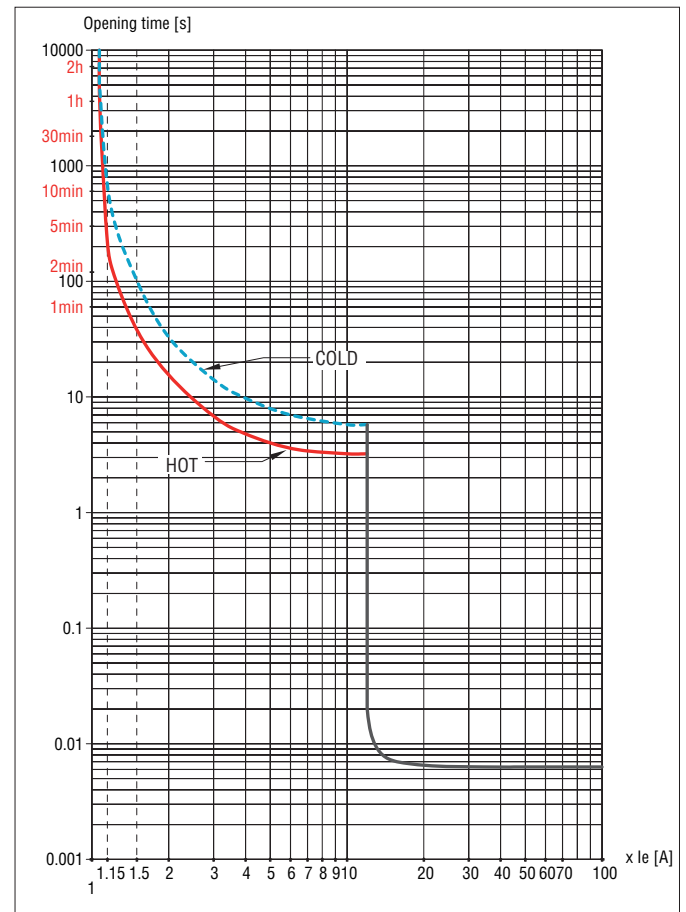
② When fitting more than one breaker side by side, without leaving space between each to consent free air circulation on the breaker sides, and have simultaneous operation, the thermal trip adjuster must be positioned at a value 15% higher than the rated motor current.

THERMAL TRIPPING CURVE (AVERAGE TIMES)

Three-phase balanced operation



Two-phase operation (phase failure/single phasing)



Tripping times can have a $\pm 20\%$ deviation with respect to the average tripping curve value above.