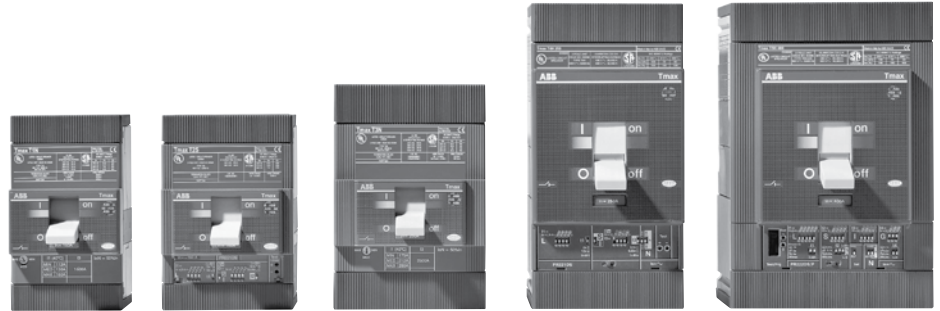


Tmax Molded case circuit breakers



Tmax Molded case circuit breakers



Introduction

ABB is once again demonstrating its commitment to new product development and its superiority in product technology. Never before has the industry seen such high performance, versatility and standardization in a range of molded case circuit breakers.

The ABB Tmax line of circuit breakers, with a range up to 1200A, has several key features that go along with its very small size:

- Double insulation – this construction characteristic allows for the UL Listed field installation of internal accessories without exposure to energized parts.
- Complete range of electrical and mechanical accessories
- Positive operation – breakers from ABB ensure that the toggle indicates the precise position of the moving contacts. This guarantees safe and reliable signaling by the device.
- Installation – Tmax molded case circuit breakers can be installed in panels and switchboards in either the horizontal or vertical planes while being fed from either end without any derating of their performance characteristics.
- Interrupting ratings at 480VAC up to 150kAIC.
- Compact size
- All Tmax molded case circuit breakers are UL Listed and IEC rated for global application and acceptance.
- All versions of the Tmax family are suitable for reverse feed applications.

The ABB Tmax product line has the performance and accessories to satisfy all industry requirements in the 600VAC to 600VDC ranges.

Frame sizes – Eight basic sizes

The ABB Tmax series includes eight basic frame sizes as well as the T1 single pole with the range rated from 15A to 1200A at 480VAC. The various versions carry the following interrupting capacities:

- **B** Basic breaking capacity
- **N** Normal breaking capacity
- **S** Standard breaking capacity
- **H** High breaking capacity
- **L** Extra High
- **V** Very high breaking capacity

Derived versions

- Thermal magnetic
- Electronic
- Molded case switches
- Motor circuit protectors (MCPs)
- Direct current (DC) rated

ABB Tmax versions

- Fixed: all models
- Drawout or plug-in: T2, T3, T4, T5, T6 and T7 UL
- UL File #E93565 (breakers and MCPs)
#E116596 (Accessories)
#E116595 (Molded case switches)

Selection Guide

Circuit breakers for power distribution

T1 – T3



T1 1P



T1



T2



T3



Ts3

Type		Tmax T1 1p	Tmax T1	Tmax T2		Tmax T3		Tmax Ts3			Tmax Ts3				
Frame size	[A]	100	100	100		225		150			225				
Number of poles	[Nr]	1	3-4	3-4		3-4		2-3-4			2-3-4				
Rated voltage	AC (50-60Hz)	[V]	347	600Y/347		480		600Y/347		600			480		
	DC	[V]		500				500		600			500		
Interrupting ratings			B	N		S H		N S		N H L			N H L		
	240V AC	[kA rms]		50 ②		65 150		50 65		65 100 150			65 100 150		
	277V AC	[kA rms]	18 ①												
	347V AC	[kA rms]	14 ①												
	480V AC	[kA rms]		22 ②		35 65		25 35		25 50 85 ⑤			25 50 65		
	600Y/347V AC	[kA rms]		10				10 10							
	600V AC	[kA rms]								14 14 25					
	250V DC (2 poles in series)	[kA rms]		25				25 35							
500V DC (3 poles in series)	[kA rms]		25				25 35								
500V DC (2 poles in series)	[kA rms]								35 50 65			20 35 50			
600V DC (3 poles in series)	[kA rms]								20 35 50						
Trip units	TMF		■	■		■		■		■			■		
	TMD/TMA														
	ELT					■									
	MA					■		■		■			■		
	Electronic					■									
Dimensions	H	[in/mm]	5.12/130	5.12/130		5.12/130		5.9/150		6.7/170			6.7/170		
	W 3p	[in/mm]	1/25.4	3/76		3.54/90		4.13/105		4.13/105			4.13/105		
	D	[in/mm]	2.76/70	2.76/70		2.76/70		2.76/70		4.07/103.5			4.07/103.5		
Mechanical life	[No.operations]	25000	25000		25000		25000		25000			25000			

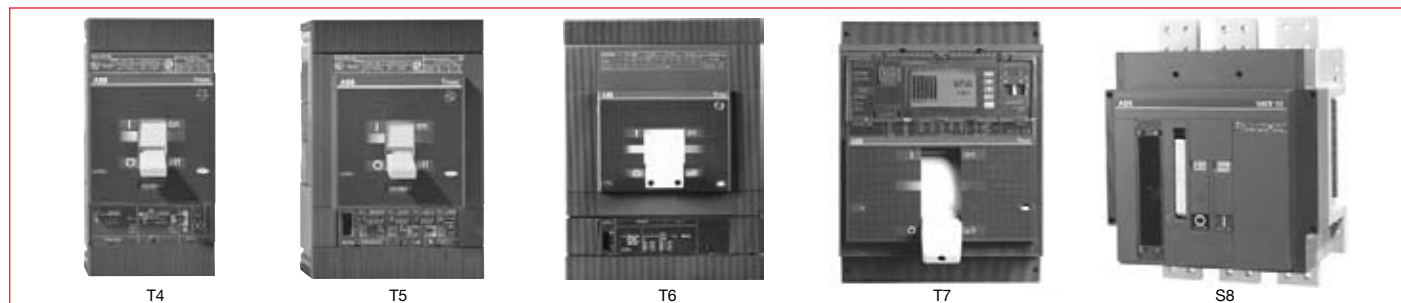
15

① In15A = 10kA@277VAC 10kA@347VAC
 ② In15A = 35kA@240VAC 14kA@480Y/277 VAC
 ③ T5 600 with electronic trip units only and in three pole version
 ④ 2p breakers: available only in N interrupting rating
 ⑤ In from 15A up to 30A=65kA@480V AC

Selection Guide

Circuit breakers for power distribution

T4 – T5



Type		Tmax T4					Tmax T5					Tmax T6				Tmax T7			Isomax S8
Frame size	[A]	250					400-600 ③					800				1000-1200			1600-2000-2500
Number of poles	[Nr]	2-3-4 ④					2-3-4 ④					3-4				3-4			3
Rated voltage	AC (50-60Hz)	600					600					600				600			600
	DC	600					600					600							
Interrupting ratings		N	S	H	L	V	N	S	H	L	V	N	S	H	L	S	H	L	V
240V AC	[kA rms]	65	100	150	200	200	65	100	150	200	200	65	100	200	200	65	100	150	125
277V AC	[kA rms]																		
347V AC	[kA rms]																		
480V AC	[kA rms]	25	35	65	100	150	25	35	65	100	150	35	50	65	100	50	65	100	100
600Y/347V AC	[kA rms]																		
600V AC	[kA rms]	18	25	35	65	100	18	25	35	65	100	20	25	35	42	25	50	65	85
250V DC (2 poles in series)	[kA rms]																		
500V DC (3 poles in series)	[kA rms]																		
500V DC (2 poles in series)	[kA rms]	25	35	50	65	100	25	35	50	65	100	35	35	50	65				
600V DC (3 poles in series)	[kA rms]	16	25	35	50	65	16	25	35	50	65	20	20	35	50				
Trip units	TMF		■																
	TMD/TMA		■					■					■						
	ELT																		
	MA																		
	Electronic		■					■					■				■		
Dimensions	H	8.07/205					8.07/205					10.55/268				10.55/268			15.75/400
	W 3p	4.13/105					5.51/140					8.26/210				8.26/210			15.98/406
	D	4.07/103.5					4.07/103.5					4.07/103.5				6.06/154(toggle)-7/178(motor)			9.25/235
Mechanical life	[No.operations]	20000					20000					20000				10000			10000

① In15A = 10kA@277VAC 10kA@347VAC
 ② In15A = 35kA@240VAC 14kA@480Y/277 VAC
 ③ T5 600 with electronic trip units only and in three pole version
 ④ 2p breakers: available only in N interrupting rating
 ⑤ In from 15A up to 30A=65kA@480V AC

General information

Catalog number explanation

T3 S 080 T W - 4 xxx

● **Accessories (added in alpha-numeric order) ①**

- A** = Auxiliary Switch
- S_** = Shunt trip with voltage code
- U_** = Undervoltage release with voltage code

● **Number of poles**

- 1 = 1 pole (T1 only)
- 2 = 2 pole
- 4 = 4 pole
- None** = 3 pole

● **Type connectors**

- W** = None
- L** = Lugs included

● **Trip unit function**

- B** = LS/I (AC only)
- D** = Molded Case Switch (MCS)
- T** = Thermal-magnetic
- M** = Magnetic only (MCP)
- E5** = Electronic MCP (AC only)
- C** = LSI (AC only)
- E** = LSIG (AC only)

● **Current rating**

- 015** = 15A
- 080** = 80A
- 100** = 100A
- 225** = 225A
- 250** = 250A
- 400** = 400A
- 600** = 600A
- 800** = 800A
- 1200** = 1200A

● **Interrupting rating class**

- B** = Basic
- N** = Normal
- S** = Standard
- H** = High
- L** = Extra High
- V** = Very high

● **Frame size**

- T1** = 100A
- T2** = 100A
- T3** = 225A
- Ts3** = 225A
- T4** = 250A
- T5** = 400A, 600A
- T6** = 600A, 800A
- T7** = 1200A



① Consult ABB for factory installed accessories.

T1

100A, 600Y/347V, 480V Δ

Thermal-magnetic



T1

Dimensions 3P Fixed Version 5.12H x 3.00W x 2.76D
Weight 2.34 (lbs)

General

The T1 breaker family ranges from 15 through 100 amperes. The T1 trip units are non-interchangeable and use the very latest technology in electromagnetic relays for overcurrent trip protection. Thermal overload protection is provided by heat sensitive bimetals. Short circuit protection for the breaker is accomplished using a precise magnetic coil. State of the art construction in contacts and arcing chambers aid in limiting damaging fault currents through the protected circuits.

Standards

The UL489/CSA 22.2 version of T1 also carries an IEC-947 rating.

Versions

The T1 frame is available in two versions:

- T = Thermal-magnetic, fixed
- D = Molded case switch

Performance levels

The T1 breaker has two performance levels available:

- B = Basic single pole
- N = Normal three pole

Number of poles

The T1 molded case circuit breaker is available in single, three and four pole versions. Estimate 4 pole pricing by adding 35% to the 3 pole price and contact your ABB sales person for details.

Molded case switches

UL489 switches include no overcurrent protection except for a high instantaneous trip mechanism for self protection.

UL489 / CSA C22.2 Interrupting capacity (kA RMS)

Voltage	Continuous rating	B (1 pole)	N
240VAC	15 – 100A	–	50 ①
347VAC	15A	10	–
	20 – 100A	14	–
480VAC Δ	15A ②	–	14
	20 – 100A	–	22
600Y/347VAC	15 – 100A	–	10
250VDC 2 pole series	15 – 100A	–	25
500VDC 3 pole series	15 – 100A	–	25

① In 15A 35kA @ 240VAC.
 ② 15A available in 480/277 VAC only.



T1

100A, 600Y/347V, 480V Δ

Thermal-magnetic/Molded Case Switch

T1B TMF — Single pole thermal magnetic fixed

Breaker	IC at 277VAC	Rating	Magnetic trip	1 pole, 277VAC catalog number	List price
T1B	10kA	15A	1000A	T1B015TL-1	\$ 230
		20A	1000A	T1B020TL-1	230
	18kA	25A	1000A	T1B025TL-1	230
		30A	1000A	T1B030TL-1	230
		40A	1000A	T1B040TL-1	230
		50A	1500A	T1B050TL-1	230
		60A	1500A	T1B060TL-1	230
		70A	1500A	T1B070TL-1	262
		80A	1500A	T1B080TL-1	262
		90A	1500A	T1B090TL-1	262
		100A	1500A	T1B100TL-1	262

T1N TMF — 3 pole thermal magnetic fixed

Breaker	IC at 480VAC	Rating	Magnetic trip	3 pole, 600Y/347VAC/500VDC catalog number	List price
T1N	14kA	15A	1000A	T1N015TL ^①	\$ 402
		20A	1000A	T1N020TL	402
	22kA	25A	1000A	T1N025TL	402
		30A	1000A	T1N030TL	402
		40A	1000A	T1N040TL	402
		50A	1500A	T1N050TL	402
		60A	1500A	T1N060TL	402
		70A	1500A	T1N070TL	479
		80A	1500A	T1N080TL	479
		90A	1500A	T1N090TL	479
		100A	1500A	T1N100TL	479

T1N TMF — 100% Rated thermal-magnetic

Breaker	IC at 480VAC	Rating	Magnetic trip	3 pole 600Y/347 500VDC catalog number	List price
T1N	14kA	15 ^①	1000A	T1NQ015TL	\$ 442
		20	1000A	T1NQ020TL	
	25	1000A	T1NQ025TL		
	30	1000A	T1NQ030TL		
	40	1000A	T1NQ040TL		
	50	1500A	T1NQ050TL		
	22kA	60	1500A	T1NQ060TL	527
		70	1500A	T1NQ070TL	
		80	1500A	T1NQ080TL	
		90	1500A	T1NQ090TL	
		100	1500A	T1NQ100TL	

T1N-D — Molded case switch

Breaker	Interrupting capacity ^②	Rating	Magnetic trip	480VAC/500VDC catalog number	List price
T1-D	240V, 50kA	100A	1000A	T1N100DL	\$ 431

① Rated 480V/277 VAC for 15A.

② When protected by a OCPD with appropriate ratings.

T2

100A, 480V Δ

Thermal-magnetic/electronic/current limiting



Dimensions 3P Fixed Version 5.12H x 3.54W x 2.76D
Weight 2.84 (lbs)

T2

General

The T2 breaker family ranges from 15 through 100 amperes. The T2 trip units are non-interchangeable and use the very latest technology in electromagnetic relays for overcurrent trip protection as well as a version with microprocessor-based electronic trip unit. Thermal overload protection is provided by heat sensitive bimetals. State of the art construction in contacts and arcing chambers aid in limiting damaging fault currents through the protected circuits.

UL489 / CSA C22.2 Interrupting capacity (kA RMS)

Voltage	Continuous rating	S	H
240VAC	15 – 100A	65	100
480VAC Δ	15 – 100A	35	65

Standards

The UL489/CSA 22.2 version of T2 also carries an IEC-947 rating.

Versions

The T2 frame is available in four versions:

- T = Thermal-magnetic, fixed
- B = Adjustable LS/I electronic
- M = Magnetic only (MCP)
- E5 = Electronic instantaneous only (MCP)

Trip functions

These tripping functions are available:

- L = Long time
- S = Short time
- I = Instantaneous

Performance levels

The T2 breaker has two performance levels available:

- S = Standard
- H = High - UL Current Limiting

Number of poles

The T2 current limiting breaker is available in three and four pole versions. Estimate 4 pole pricing by adding 35% to the 3 pole price and contact your ABB sales person for details.



T2

100A, 480V Δ

Thermal-magnetic/current limiting

T2 – 100A TMF thermal magnetic fixed

Breaker	IC at 480VAC	Rating	Magnetic trip	3 pole, 480VAC catalog number	List price
T2S	35kA	15A	500A	T2S015TW	\$ 690
		20A	500A	T2S020TW	690
		25A	500A	T2S025TW	690
		30A	500A	T2S030TW	690
		40A	500A	T2S040TW	690
		50A	500A	T2S050TW	690
		60A	600A	T2S060TW	690
		70A	700A	T2S070TW	793
		80A	800A	T2S080TW	793
		90A	900A	T2S090TW	793
		100A	1000A	T2S100TW	793

Breaker	IC at 480VAC	Rating	Magnetic trip	3 pole, 480VAC catalog number	List price
T2H UL Current Limiting	65kA	15A	500A	T2H015TW	\$ 942
		20A	500A	T2H020TW	942
		25A	500A	T2H025TW	942
		30A	500A	T2H030TW	942
		40A	500A	T2H040TW	942
		50A	500A	T2H050TW	942
		60A	600A	T2H060TW	942
		70A	700A	T2H070TW	1153
		80A	800A	T2H080TW	1153
		90A	900A	T2H090TW	1153
		100A	1000A	T2H100TW	1153

T2 – 100A TMF, 100% rated thermal magnetic fixed

Breaker	IC at 480VAC	Rating	Magnetic trip	3 pole, 480VAC catalog number	List price
T2S	35kA	15A	500A	T2SQ015TW	\$ 760
		20A	500A	T2SQ020TW	
		25A	500A	T2SQ025TW	
		30A	500A	T2SQ030TW	
		40A	500A	T2SQ040TW	
		50A	500A	T2SQ050TW	
		60A	600A	T2SQ060TW	
		70A	700A	T2SQ070TW	872
		80A	800A	T2SQ080TW	
		90A	900A	T2SQ090TW	
		100A	1000A	T2SQ100TW	

Breaker	IC at 480VAC	Rating	Magnetic trip	3 pole, 480VAC catalog number	List price
T2H UL Current Limiting	65kA	15A	500A	T2HQ015TW	\$ 1025
		20A	500A	T2HQ020TW	
		25A	500A	T2HQ025TW	
		30A	500A	T2HQ030TW	
		40A	500A	T2HQ040TW	
		50A	500A	T2HQ050TW	
		60A	600A	T2HQ060TW	
		70A	700A	T2HQ070TW	1268
		80A	800A	T2HQ080TW	
		90A	900A	T2HQ090TW	
		100A	1000A	T2HQ100TW	

15

T2

100A, 480V Δ, 100% rated

Electronic/Current limiting/MCP



T2 – 100A Frame, electronic trip unit (AC only)

Breaker	IC at 480VAC	Trip unit type	CT rating	3 pole, 480VAC catalog number	List price
T2S	35kA	PR221DS-LS/I	25A	T2S025BW	\$ 1240
			60A	T2S060BW	1240
			100A	T2S100BW	1343
T2H UL Current Limiting	65kA	PR221DS-LS/I	25A	T2H025BW	1492
			60A	T2H060BW	1492
			100A	T2H100BW	1703

T2 – 100A Frame 100% rated, electronic trip unit (AC only)

Breaker	IC at 480VAC	Trip unit type	CT rating	3 pole, 480VAC catalog number	List price
T2S	35kA	PR221DS-LS/I	25A	T2SQ025BW	\$ 1363
			60A	T2SQ060BW	
			100A	T2SQ100BW	1477
T2H UL Current Limiting	65kA	PR221DS-LS/I	25A	T2HQ025BW	1640
			60A	T2HQ060BW	
			100A	T2HQ100BW	1873

T2 – 100A Frame, instantaneous only (MCP)

Breaker	IC at 480VAC	Trip unit type	Rating	Adjustment range	3 pole, 480VAC catalog number	List price
T2S	35kA	Mag only	20A	120 - 240 300 - 600 600 - 1200	T2S020MW	\$ 598
			50A		T2S050MW	670
			100A		T2S100MW	804
T2H	65kA	Mag only	20A	120 - 240 300 - 600 600 - 1200	T2H020MW	673
			50A		T2H050MW	754
			100A		T2H100MW	904

T2 – 100A Frame, instantaneous only, electronic (MCP - AC only)

Breaker	IC at 480VAC	Trip unit type	Rating	Adjustment range	3 pole, 480VAC catalog number	List price
T2S	35kA	Instantaneous only	25A	25 - 250 60 - 600 100 - 1000	T2S025E5W	\$ 1178
			60A		T2S060E5W	1178
			100A		T2S100E5W	1276
T2H	65kA	Instantaneous only	25A	25 - 250 60 - 600 100 - 1000	T2H025E5W	1417
			60A		T2H060E5W	1417
			100A		T2H100E5W	1618

Note: For terminal connection options see page 15.49

T3

225A, 600Y/347V, 480V Δ

Thermal-magnetic



T3

Dimensions 3P Fixed Version 5.9H x 4.13W x 2.76D

Weight 5.45 (lbs)

General

The T3 breaker family ranges from 60 through 225 amperes. The T3 trip units are non-interchangeable and use the very latest technology in electromagnetic relays for overcurrent trip protection. Thermal overload protection is provided by heat sensitive bimetals. Short circuit protection begins at 10 times the thermal rating of the breaker using a precise magnetic coil. State of the art construction in contacts and arcing chambers aid in limiting damaging fault currents through the protected circuits.

Standards

The UL489/CSA 22.2 version of T3 also carries an IEC-947 rating.

Versions

The T3 frame is available in three versions:

- T = Thermal-magnetic, fixed
- M = Magnetic only (MCP)
- D = Molded case switch

Performance levels

The T3 breaker has two performance levels available:

- N = Normal
- S = Standard

Number of poles

The T3 molded case circuit breaker is available in three and four pole versions. Estimate 4 pole pricing by adding 35% to the 3 pole price and contact your ABB sales person for details.

Molded case switches

UL489 switches include no overcurrent protection except for a high instantaneous trip mechanism for self protection.

UL489 / CSA C22.2 Interrupting capacity (kA RMS)

Voltage	Continuous rating	N	S
240VAC	60 – 225A	50	65
480VAC Δ	60 – 225A	25	35
600Y/347VAC	60 – 225A	10	10
250VDC 2 pole series	60 – 225A	25	35
500VDC 3 pole series	60 – 225A	25	35

T3

225A, 600Y/347V, 480V Δ

Thermal-magnetic



T3 – 225A Frame TMF, thermal magnetic fixed

Breaker	IC at 480VAC	Rating	Magnetic trip	3 pole, 480VAC/500VDC catalog number	List price
T3N	25kA	60A	600A	T3N060TW	\$ 615
		70A	700A	T3N070TW	740
		80A	800A	T3N080TW	740
		90A	900A	T3N090TW	740
		100A	1000A	T3N100TW	740
		125A	1250A	T3N125TW	1560
		150A	1500A	T3N150TW	1560
		175A	1750A	T3N175TW	1560
		200A	2000A	T3N200TW	1560
		225A	2250A	T3N225TW	1560

Breaker	IC at 480VAC	Rating	Magnetic trip	3 pole, 480VAC/500VDC catalog number	List price
T3S	35kA	60A	600A	T3S060TW	\$ 790
		70A	700A	T3S070TW	970
		80A	800A	T3S080TW	970
		90A	900A	T3S090TW	970
		100A	1000A	T3S100TW	970
		125A	1250A	T3S125TW	2160
		150A	1500A	T3S150TW	2160
		175A	1750A	T3S175TW	2160
		200A	2000A	T3S200TW	2160
		225A	2250A	T3S225TW	2160

T3 – 225A Frame TMF, 100% rated thermal magnetic fixed

Breaker	IC at 480VAC	Rating	Magnetic trip	3 pole, 600/347V VAC/500VDC catalog number	List price
T3N	25kA	60A	600A	T3NQ060TW	\$ 656
		70A	700A	T3NQ070TW	812
		80A	800A	T3NQ080TW	
		90A	900A	T3NQ090TW	
		100A	1000A	T3NQ100TW	
		125A	1250A	T3NQ125TW	1717
		150A	1500A	T3NQ150TW	
		175A	1750A	T3NQ175TW	
		200A	2000A	T3NQ200TW	
		225A	2250A	T3NQ225TW	

Breaker	IC at 480VAC	Rating	Magnetic trip	3 pole, 600/347V VAC/500VDC catalog number	List price
T3S	35kA	60A	600A	T3SQ060TW	\$ 778
		70A	700A	T3SQ070TW	1065
		80A	800A	T3SQ080TW	
		90A	900A	T3SQ090TW	
		100A	1000A	T3SQ100TW	
		125A	1250A	T3SQ125TW	
		150A	1500A	T3SQ150TW	
		175A	1750A	T3SQ175TW	
		200A	2000A	T3SQ200TW	
		225A	2250A	T3SQ225TW	



T3

225A, 600Y/347V, 480V Δ

MCP/Molded case switch

T3 – 225A Frame instantaneous only, (MCP)

Breaker	IC at 480VAC	Trip unit type	Rating	Adjustment range	3 pole, 480VAC catalog number	List price
T3S	35kA	Mag only	100A	600 – 1200	T3S100MW	\$ 1074
			125A	750 - 1500	T3S125MW	1108
			150A	900 - 1800	T3S150MW	1299
			200A	1200 - 2400	T3S200MW	1382

T3S-D – Molded case switch

Breaker	Interrupting ^① capacity	Rating	Magnetic trip	3 pole, 480VAC/500VDC catalog number	List price
T3S-D	240V, 65kA 480V, 35kA	150A	1500A	T3S150DW	\$ 1078
		225A	2250A	T3S225DW	1515

Note: For terminal connection options see page 15.49

^① When protected by a OCPD with appropriate ratings.

Ts3

150A, 600V Δ, 225A, 480V Δ

Thermal magnetic



Dimensions 3P Fixed Version 6.7H x 4.13W x 4.07D
Weight 6.75 (lbs)

General

The Ts3 breaker family ranges from 15 through 225 amperes. The Ts3 trip mechanisms are non-interchangeable and use sensitive electromagnetic relays for overcurrent trip protection. Heat sensitive bimetals are used for thermal overcurrent protection. Short circuit current protection begins at 10 times the thermal rating of the breaker and uses a magnetic coil principle.

Standards

The UL489/CSA 22.2 version of Ts3 also carries an IEC-947 rating.

Versions

To meet all application needs, the Ts3 is available in various versions:

- T = Thermal-magnetic
- D = Molded case switch
- M = Magnetic only (MCP)

Performance level

Each version is also available in different maximum fault interrupting levels

- N = Normal
- H = High
- L = Extra high

Number of poles

The Ts3 is available in two, three and four pole versions. Estimate 4 pole pricing by adding 35% to the 3 pole price and contact your ABB sales person for details.

Molded case switches

UL489 switches include no overcurrent protection except for a high instantaneous trip mechanism for self protection.

UL/CSA Interrupting capacity (kA RMS) UL489 / CSA C22.2

Voltage	N	H	L
150AF, 15A-150A			
240VAC	65	100	150
480VAC	25	50	85 ^①
600VAC	14	14	25
500VDC	35	50	65
600VDC	20	35	50
225AF, 175A-225A			
240VAC	65	100	150
480VAC	25	50	65
600VAC	–	–	–
500VDC	20	35	50
600VDC	–	–	–

① 15-30A are 65kA at 480VAC



Ts3

150A, 600V Δ, 225A, 480V Δ

Thermal magnetic

Ts3

150A 600VAC/225A 480VAC

Thermal Magnetic Trip Units

Breaker	IC at 480VAC kA	Rating	Magnetic trip	2 pole, 600VAC/500VDC catalog number	List price	3 pole, 600VAC/DC catalog number	List price
Ts3N	25	15A	500A	Ts3N015TW-2	Consult factory	Ts3N015TW	Consult factory
		20A	500A	Ts3N020TW-2		Ts3N020TW	
		25A	500A	Ts3N025TW-2		Ts3N025TW	
		30A	500A	Ts3N030TW-2		Ts3N030TW	
		35A	500A	Ts3N035TW-2		Ts3N035TW	
		40A	500A	Ts3N040TW-2		Ts3N040TW	
		50A	500A	Ts3N050TW-2		Ts3N050TW	
		60A	600A	Ts3N060TW-2		Ts3N060TW	
		70A	700A	Ts3N070TW-2		Ts3N070TW	
		80A	800A	Ts3N080TW-2		Ts3N080TW	
		90A	900A	Ts3N090TW-2		Ts3N090TW	
		100A	1000A	Ts3N100TW-2		Ts3N100TW	
		125A	1250A	Ts3N125TW-2		Ts3N125TW	
		150A	1500A	Ts3N150TW-2		Ts3N150TW	
		175A ①	1750A	Ts3N175TW-2		Ts3N175TW	
200A ①	2000A	Ts3N200TW-2	Ts3N200TW				
225A ①	2250A	Ts3N225TW-2	Ts3N225TW				

Breaker	IC at 480VAC kA	Rating	Magnetic trip	2 pole, 600VAC/500VDC catalog number	List price	3 pole, 600VAC/DC catalog number	List price
Ts3H	50	15A	500A	Ts3H015TW-2	Consult factory	Ts3H015TW	Consult factory
		20A	500A	Ts3H020TW-2		Ts3H020TW	
		25A	500A	Ts3H025TW-2		Ts3H025TW	
		30A	500A	Ts3H030TW-2		Ts3H030TW	
		35A	500A	Ts3H035TW-2		Ts3H035TW	
		40A	500A	Ts3H040TW-2		Ts3H040TW	
		50A	500A	Ts3H050TW-2		Ts3H050TW	
		60A	600A	Ts3H060TW-2		Ts3H060TW	
		70A	700A	Ts3H070TW-2		Ts3H070TW	
		80A	800A	Ts3H080TW-2		Ts3H080TW	
		90A	900A	Ts3H090TW-2		Ts3H090TW	
		100A	1000A	Ts3H100TW-2		Ts3H100TW	
		125A	1250A	Ts3H125TW-2		Ts3H125TW	
		150A	1500A	Ts3H150TW-2		Ts3H150TW	
		175A ①	1750A	Ts3H175TW-2		Ts3H175TW	
200A ①	2000A	Ts3H200TW-2	Ts3H200TW				
225A ①	2250A	Ts3H225TW-2	Ts3H225TW				

Breaker	IC at 480VAC kA	Rating	Magnetic trip	2 pole, 600VAC/500VDC catalog number	List price	3 pole, 600VAC/DC catalog number	List price
Ts3L	65	15A	500A	Ts3L015TW-2	Consult factory	Ts3L015TW	Consult factory
		20A	500A	Ts3L020TW-2		Ts3L020TW	
		25A	500A	Ts3L025TW-2		Ts3L025TW	
		30A	500A	Ts3L030TW-2		Ts3L030TW	
	85	35A	500A	Ts3L035TW-2		Ts3L035TW	
		40A	500A	Ts3L040TW-2		Ts3L040TW	
		50A	500A	Ts3L050TW-2		Ts3L050TW	
		60A	600A	Ts3L060TW-2		Ts3L060TW	
		70A	700A	Ts3L070TW-2		Ts3L070TW	
		80A	800A	Ts3L080TW-2		Ts3L080TW	
		90A	900A	Ts3L090TW-2		Ts3L090TW	
	65	100A	1000A	Ts3L100TW-2		Ts3L100TW	
		125A	1250A	Ts3L125TW-2		Ts3L125TW	
		150A	1500A	Ts3L150TW-2		Ts3L150TW	
		175A ①	1750A	Ts3L175TW-2		Ts3L175TW	
200A ①	2000A	Ts3L200TW-2	Ts3L200TW				
225A ①	2250A	Ts3L225TW-2	Ts3L225TW				

① 480 V maximum

Ts3

150A, 600V Δ, 225A, 480V Δ, 100% rated

Thermal magnetic



Ts3

150A 600VAC/225A 480VAC

Thermal Magnetic Trip Units 100% Rated

Breaker	IC at 480VAC	Rating	Magnetic trip	3 pole 600VAC/DC catalog number	List price
Ts3NQ	25	15A	500A	Ts3NQ015TW	Consult factory
		20A	500A	Ts3NQ020TW	
		25A	500A	Ts3NQ025TW	
		30A	500A	Ts3NQ030TW	
		35A	500A	Ts3NQ035TW	
		40A	500A	Ts3NQ040TW	
		50A	500A	Ts3NQ050TW	
		60A	600A	Ts3NQ060TW	
		70A	700A	Ts3NQ070TW	
		80A	800A	Ts3NQ080TW	
		90A	900A	Ts3NQ090TW	
		100A	1000A	Ts3NQ100TW	
		125A	1250A	Ts3NQ125TW	
		150A	1500A	Ts3NQ150TW	
175A ①	1750A	Ts3NQ175TW			
200A ①	2000A	Ts3NQ200TW			
225A ①	2250A	Ts3NQ225TW			

Breaker	IC at 480VAC	Rating	Magnetic trip	3 pole catalog number	List price
Ts3HQ	50kA	15A	500A	Ts3HQ015TW	Consult factory
		20A	500A	Ts3HQ020TW	
		25A	500A	Ts3HQ025TW	
		30A	500A	Ts3HQ030TW	
		35A	500A	Ts3HQ035TW	
		40A	500A	Ts3HQ040TW	
		50A	500A	Ts3HQ050TW	
		60A	600A	Ts3HQ060TW	
		70A	700A	Ts3HQ070TW	
		80A	800A	Ts3HQ080TW	
		90A	900A	Ts3HQ090TW	
		100A	1000A	Ts3HQ100TW	
		125A	1250A	Ts3HQ125TW	
		150A	1500A	Ts3HQ150TW	
175A ①	1750A	Ts3HQ175TW			
200A ①	2000A	Ts3HQ200TW			
225A ①	2250A	Ts3HQ225TW			

Breaker	IC at 480VAC	Rating	Magnetic trip	3 pole catalog number	List price
Ts3LQ	65kA	15A	500A	Ts3LQ015TW	Consult factory
		20A	500A	Ts3LQ020TW	
		25A	500A	Ts3LQ025TW	
		30A	500A	Ts3LQ030TW	
	85kA	35A	500A	Ts3LQ035TW	
		40A	500A	Ts3LQ040TW	
		50A	500A	Ts3LQ050TW	
		60A	600A	Ts3LQ060TW	
		70A	700A	Ts3LQ070TW	
		80A	800A	Ts3LQ080TW	
	65kA	90A	900A	Ts3LQ090TW	
		100A	1000A	Ts3LQ100TW	
		125A	1250A	Ts3LQ125TW	
		150A	1500A	Ts3LQ150TW	
	175A ①	1750A	Ts3LQ175TW		
	200A ①	2000A	Ts3LQ200TW		
	225A ①	2250A	Ts3LQ225TW		

① 480 V maximum



Ts3

150/225A 600VAC

MCP/Molded case switch

Magnetic only (MCP)

Breaker	IC at 480VAC	Trip unit type	Rating	Adjustment range	3 pole 600VAC Catalog number	List Price
Ts3L	25	Magnetic only	3	12-36	Ts3L003MW	Consult factory
Ts3L	25	Magnetic only	5	20-60	Ts3L005MW	
Ts3L	25	Magnetic only	10	40-120	Ts3L010MW	
Ts3L	25	Magnetic only	25	100-300	Ts3L025MW	
Ts3L	85	Magnetic only	50	200-600	Ts3L050MW	
Ts3L	85	Magnetic only	100	400-1200	Ts3L100MW	
Ts3L	85	Magnetic only	125	500-1500	Ts3L125MW	
Ts3L	85	Magnetic only	150	600-1500	Ts3L150MW	
Ts3L	65	Magnetic only	200 ①	800-2400	Ts3L200MW	

Molded Case Switch ②

Type	IC at 480V (2)	Magnetic trip	Amps	3 pole 600V catalog number	List price
Ts3H	50	1500	150	Ts3H150DW	Consult factory
Ts3H	50	2250	225 ①	Ts3H225DW	

Note: For terminal connection options see page 15.49

① When protected by a OCPD with appropriate ratings.
 ② 480 VAC maximum

T4

250A, 600V Δ

Electronic and thermal magnetic



Dimensions 3P Fixed Version 8.07H x 4.13W x 4.07D
Weight 6.18 (lbs)

General

The T4 breaker is a 250 amp frame with either a microprocessor based over current protective trip system or a thermal magnetic trip unit.

Standards

The UL489/CSA 22.2 version of T4 also carries an IEC-947 rating.

Versions

To meet all application requirements, the T4 is available in the following versions:

- T = Thermal-magnetic
- B = Selectable & adjustable LI or LS
- C = Adjustable LSI
- E = Adjustable LSIG
- D = Molded Case Switch
- E5 = Electronic instantaneous only (MCP)

Trip functions

These trip functions are available:

- L = Long time
- S = Short time
- I = Instantaneous
- G = Ground fault

Performance levels

Each version is also available in different maximum fault interrupting levels:

- N = Normal
- S = Standard
- H = High - UL Current Limiting
- L = Extra high
- V = Very high - UL Current Limiting

Number of poles ③

The T4 is available in two, three and four pole versions. Estimate 4 pole pricing by adding 35% to the 3 pole price and contact your ABB sales person for details.

UL489 / CSA C22.2 Interrupting capacity (kA RMS)

Voltage	N	S	H	L	V
240VAC	65	100	150	200	200
480VAC	25	35	65	100	150
600VAC	18	25	35	65	100
500VDC ①	25	35	50	65	100
600VDC ②	16	25	35	50	65

① 2 poles in series.
 ② 3 poles in series.
 ③ 2 pole breakers available in N version only. 4 pole breakers available in N and H version only.



T4

250A, 600V Δ

Adjustable thermal magnetic^①

20A - 250A Frame

Breaker	IC at 480VAC	Rating	Magnetic trip	2 pole, 600VAC/600VDC catalog number	List price	3 pole, 600VAC/600VDC catalog number	List price
T4N	25	20A	500	T4N020TW-2	\$ 1290	T4N020TW	\$ 1517
		30A	500	T4N030TW-2	1290	T4N030TW	1517
		40A	500	T4N040TW-2	1290	T4N040TW	1517
		50A	500	T4N050TW-2	1290	T4N050TW	1517
		80A	400-800	T4N080TW-2	1315	T4N080TW	1547
		100A	500-1000	T4N100TW-2	1315	T4N100TW	1547
		125A	625-1250	T4N125TW-2	2019	T4N125TW	1667
		150A	750-1500	T4N150TW-2	2019	T4N150TW	1667
		200A	1000-2000	T4N200TW-2	2019	T4N200TW	1667
		250A	1250-2500	T4N250TW-2	2019	T4N250TW	1717
T4S	35	20A	500	-	-	T4S020TW	1887
		30A	500	-	-	T4S030TW	1887
		40A	500	-	-	T4S040TW	1887
		50A	500	-	-	T4S050TW	1887
		80A	400-800	-	-	T4S080TW	1927
		100A	500-1000	-	-	T4S100TW	1927
		125A	625-1250	-	-	T4S125TW	2067
		150A	750-1500	-	-	T4S150TW	2067
		200A	1000-2000	-	-	T4S200TW	2067
		250A	1250-2500	-	-	T4S250TW	2092
T4H UL Current Limiting	65	20A	500	-	-	T4H020TW	3617
		30A	500	-	-	T4H030TW	3617
		40A	500	-	-	T4H040TW	3617
		50A	500	-	-	T4H050TW	3617
		80A	400-800	-	-	T4H080TW	3657
		100A	500-1000	-	-	T4H100TW	3657
		125A	625-1250	-	-	T4H125TW	3767
		150A	750-1500	-	-	T4H150TW	3767
		200A	1000-2000	-	-	T4H200TW	3767
		250A	1250-2500	-	-	T4H250TW	3832
T4L	100	20A	500	-	-	T4L020TW	5915
		30A	500	-	-	T4L030TW	5915
		40A	500	-	-	T4L040TW	5915
		50A	500	-	-	T4L050TW	5915
		80A	400-800	-	-	T4L080TW	5965
		100A	500-1000	-	-	T4L100TW	5965
		125A	625-1250	-	-	T4L125TW	5995
		150A	750-1500	-	-	T4L150TW	5995
		200A	1000-2000	-	-	T4L200TW	5995
		250A	1250-2500	-	-	T4L250TW	6110
T4V UL Current Limiting	150	20A	500	-	-	T4V020TW	6780
		30A	500	-	-	T4V030TW	6780
		40A	500	-	-	T4V040TW	6780
		50A	500	-	-	T4V050TW	6780
		80A	400-800	-	-	T4V080TW	6817
		100A	500-1000	-	-	T4V100TW	6817
		125A	625-1250	-	-	T4V125TW	6847
		150A	750-1500	-	-	T4V150TW	6847
		200A	1000-2000	-	-	T4V200TW	6847
		250A	1250-2500	-	-	T4V250TW	6887

15

① T4N020TW - Fixed Thermal, Fixed Magnetic
T4N030TW - T4N050TW Adjustable Thermal, Fixed Magnetic

T4

250A, 600V Δ 100% rated

Adjustable thermal magnetic^①



30A - 250A Frame 100% rated

Breaker	IC at 480 VAC kA	Rating	Magnetic trip	3 pole, 600VAC/600VDC Catalog number	List price
T4N	25	20A	500	T4NQ020TW	\$ 1673
		30A	500	T4NQ030TW	1673
		40A	500	T4NQ040TW	1673
		50A	500	T4NQ050TW	1673
		80A	400-800	T4NQ080TW	1706
		100A	500-1000	T4NQ100TW	1706
		125A	625-1250	T4NQ125TW	1839
		150A	750-1500	T4NQ150TW	1839
		200A	1000-2000	T4NQ200TW	1839
		250A	1250-2500	T4NQ250TW	1894
T4S	35	20A	500	T4SQ020TW	2081
		30A	500	T4SQ030TW	2081
		40A	500	T4SQ040TW	2081
		50A	500	T4SQ050TW	2081
		80A	400-800	T4SQ080TW	2125
		100A	500-1000	T4SQ100TW	2125
		125A	625-1250	T4SQ125TW	2280
		150A	750-1500	T4SQ150TW	2280
		200A	1000-2000	T4SQ200TW	2280
		250A	1250-2500	T4SQ250TW	2307
T4H UL Current Limiting	65	20A	500	T4HQ020TW	3990
		30A	500	T4HQ030TW	3990
		40A	500	T4HQ040TW	3990
		50A	500	T4HQ050TW	3990
		80A	400-800	T4HQ080TW	4034
		100A	500-1000	T4HQ100TW	4034
		125A	625-1250	T4HQ125TW	4155
		150A	750-1500	T4HQ150TW	4155
		200A	1000-2000	T4HQ200TW	4155
		250A	1250-2500	T4HQ250TW	4227
T4L	100	20A	500	T4LQ020TW	6524
		30A	500	T4LQ030TW	6524
		40A	500	T4LQ040TW	6524
		50A	500	T4LQ050TW	6524
		80A	400-800	T4LQ080TW	6579
		100A	500-1000	T4LQ100TW	6579
		125A	625-1250	T4LQ125TW	6612
		150A	750-1500	T4LQ150TW	6612
		200A	1000-2000	T4LQ200TW	6612
		250A	1250-2500	T4LQ250TW	6739
T4V UL Current Limiting	150	20A	500	T4VQ020TW	7478
		30A	500	T4VQ030TW	7478
		40A	500	T4VQ040TW	7478
		50A	500	T4VQ050TW	7478
		80A	400-800	T4VQ080TW	7519
		100A	500-1000	T4VQ100TW	7519
		125A	625-1250	T4VQ125TW	7552
		150A	750-1500	T4VQ150TW	7552
		200A	1000-2000	T4VQ200TW	7552
		250A	1250-2500	T4VQ250TW	7569

① T4 20A Fixed Thermal, Fixed Magnetic
T4 30A - T4 50A Adjustable Thermal, Fixed Magnetic



T4

250A, 600V Δ

Electronic (AC only)

100A Frame, electronic trip unit (AC only)

Breaker	IC at 480VAC kA	Trip Unit	2 pole, 600V catalog number	List price	3 pole, 600V catalog number	List price
T4N	25	PR221 LS/I	T4N100BW-2	\$ 1710	T4N100BW	\$ 1903
		PR222 LSI	T4N100CW-2	2135	T4N100CW	2540
		PR222 LSIG	T4N100EW-2	2985	T4N100EW	3330
T4S	35	PR221 LS/I	-	-	T4S100BW	2370
		PR222 LSI	-	-	T4S100CW	3164
		PR222 LSIG	-	-	T4S100EW	4148
T4H UL Current Limiting	65	PR221 LS/I	-	-	T4H100BW	4498
		PR222 LSI	-	-	T4H100CW	4846
		PR222 LSIG	-	-	T4H100EW	5877
T4L	100	PR221 LS/I	-	-	T4L100BW	5954
		PR222 LSI	-	-	T4L100CW	6063
		PR222 LSIG	-	-	T4L100EW	7091
T4V UL Current Limiting	150	PR221 LS/I	-	-	T4V100BW	8555
		PR222 LSI	-	-	T4V100CW	9213
		PR222 LSIG	-	-	T4V100EW	9957

150A Frame, electronic trip unit (AC only)

Breaker	IC at 480VAC kA	Trip Unit	2 pole, 600V catalog number	List price	3 pole, 600V catalog number	List price
T4N	25	PR221 LS/I	T4N150BW-2	\$ 2625	T4N150BW	\$ 2050
		PR222 LSI	T4N150CW-2	3050	T4N150CW	2737
		PR222 LSIG	T4N150EW-2	3900	T4N150EW	3588
T4S	35	PR221 LS/I	-	-	T4S150BW	2542
		PR222 LSI	-	-	T4S150CW	3394
		PR222 LSIG	-	-	T4S150EW	4449
T4H UL Current Limiting	65	PR221 LS/I	-	-	T4H150BW	4633
		PR222 LSI	-	-	T4H150CW	5024
		PR222 LSIG	-	-	T4H150EW	6094
T4L	100	PR221 LS/I	-	-	T4L150BW	6174
		PR222 LSI	-	-	T4L150CW	6288
		PR222 LSIG	-	-	T4L150EW	7354
T4V UL Current Limiting	150	PR221 LS/I	-	-	T4V150BW	8872
		PR222 LSI	-	-	T4V150CW	9555
		PR222 LSIG	-	-	T4V150EW	10,326

250A Frame, electronic trip unit (AC only)

Breaker	IC at 480VAC kA	Trip Unit	2 pole, 600V catalog number	List price	3 pole, 600V catalog number	List price
T4N	25	PR221 LS/I	T4N250BW-2	\$ 2625	T4N250BW	\$ 2112
		PR222 LSI	T4N250CW-2	3050	T4N250CW	2819
		PR222 LSIG	T4N250EW-2	3900	T4N250EW	3696
T4S	35	PR221 LS/I	-	-	T4S250BW	2573
		PR222 LSI	-	-	T4S150CW	3435
		PR222 LSIG	-	-	T4S250EW	4503
T4H UL Current Limiting	65	PR221 LS/I	-	-	T4H250BW	4713
		PR222 LSI	-	-	T4H250CW	5127
		PR222 LSIG	-	-	T4H250EW	6219
T4L	100	PR221 LS/I	-	-	T4L250BW	6300
		PR222 LSI	-	-	T4L250CW	6416
		PR222 LSIG	-	-	T4L250EW	7504
T4V UL Current Limiting	150	PR221 LS/I	-	-	T4V250BW	9053
		PR222 LSI	-	-	T4V250CW	9750
		PR222 LSIG	-	-	T4V250EW	10,537

T4

250A, 600V Δ, 100% Rated Electronic (AC only)



100A Frame - 100% rated, electronic trip unit (AC only)

Breaker	IC at 480VAC kA	Trip Unit	3 pole, 600V catalog number	List price
T4N	25	PR221 LS/I	T4NQ100BW	\$ 2124
		PR222 LSI	T4NQ100CW	2835
		PR222 LSIg	T4NQ100EW	3716
T4S	35	PR221 LS/I	T4SQ100BW	2645
		PR222 LSI	T4SQ100CW	3531
		PR222 LSIg	T4SQ100EW	4629
T4H UL Current Limiting	65	PR221 LS/I	T4HQ100BW	5020
		PR222 LSI	T4HQ100CW	5383
		PR222 LSIg	T4HQ100EW	6530
T4L	100	PR221 LS/I	T4LQ100BW	6616
		PR222 LSI	T4LQ100CW	6737
		PR222 LSIg	T4LQ100EW	7879
T4V UL Current Limiting	150	PR221 LS/I	T4VQ100BW	9506
		PR222 LSI	T4VQ100CW	10,237
		PR222 LSIg	T4VQ100EW	11,063

150A Frame - 100% rated, electronic trip unit (AC only)

Breaker	IC at 480VAC kA	Trip Unit	3 pole, 600V catalog number	List price
T4N	25	PR221 LS/I	T4NQ150BW	\$ 2288
		PR222 LSI	T4NQ150CW	3055
		PR222 LSIg	T4NQ150EW	4004
T4S	35	PR221 LS/I	T4SQ150BW	2837
		PR222 LSI	T4SQ150CW	3788
		PR222 LSIg	T4SQ150EW	4965
T4H UL Current Limiting	65	PR221 LS/I	T4HQ150BW	5171
		PR222 LSI	T4HQ150CW	5582
		PR222 LSIg	T4HQ150EW	6771
T4L	100	PR221 LS/I	T4LQ150BW	6860
		PR222 LSI	T4LQ150CW	6987
		PR222 LSIg	T4LQ150EW	8171
T4V UL Current Limiting	150	PR221 LS/I	T4VQ150BW	9858
		PR222 LSI	T4VQ150CW	10,616
		PR222 LSIg	T4VQ150EW	11,473

250A Frame - 100% rated, electronic trip unit (AC only)

Breaker	IC at 480VAC kA	Trip Unit	3 pole, 600V catalog number	List price
T4N	25	PR221 LS/I	T4NQ250BW	\$ 2357
		PR222 LSI	T4NQ250CW	3146
		PR222 LSIg	T4NQ250EW	4125
T4S	35	PR221 LS/I	T4SQ250BW	2872
		PR222 LSI	T4SQ150CW	3834
		PR222 LSIg	T4SQ250EW	5025
T4H UL Current Limiting	65	PR221 LS/I	T4HQ250BW	5260
		PR222 LSI	T4HQ250CW	5697
		PR222 LSIg	T4HQ250EW	6910
T4L	100	PR221 LS/I	T4LQ250BW	7000
		PR222 LSI	T4LQ250CW	7129
		PR222 LSIg	T4LQ250EW	8338
T4V UL Current Limiting	150	PR221 LS/I	T4VQ250BW	10,058
		PR222 LSI	T4VQ250CW	10,833
		PR222 LSIg	T4VQ250EW	11,708



T4

250A, 600V Δ

Instantaneous only, MCP/Molded case switch

Instantaneous only MCPs

T4 - 250A Frame magnetic only (MCP - AC only)

Breaker	IC at 480VAC	Trip unit type	Rating	Adjustment range	3 pole, 600VAC Catalog number	List price
T4N	25kA	Instantaneous only	100A	100-1000	T4N100E5W	\$ 1808
			150A	150-1500	T4N150E5W	1948
			250A	250-2500	T4N250E5W	2006
T4S	35kA	Instantaneous only	100A	100-1000	T4S100E5W	2252
			150A	150-1500	T4S150E5W	2415
			250A	250-2500	T4S250E5W	2444
T4H	65kA	Instantaneous only	100A	100-1000	T4H100E5W	4273
			150A	150-1500	T4H150E5W	4401
			250A	250-2500	T4H250E5W	4477
T4L	100kA	Instantaneous only	100A	100-1000	T4L100E5W	5656
			150A	150-1500	T4L150E5W	5865
			250A	250-2500	T4L250E5W	5985

Molded case switch ①

Type	IC at 480VAC	Amps	Magnetic trip	3 pole 600V catalog number	List price
T4N-D	25kA	250	3000	T4N250DW	\$ 1354
T4S-D	35kA	250	3000	T4S250DW	1510
T4H-D	65kA	250	3000	T4H250DW	2154
T4L-D	100kA	250	3000	T4L250DW	3419
T4V-D	150kA	250	3000	T4V250DW	3842

① When protected by a OCPD with appropriate ratings.



T5

400/600A, 600V Δ

Electronic and thermal magnetic



T5

Dimensions 3P Fixed Version 8.07H x 5.51W x 4.07D
Weight 8.55 (lbs)

General

The T5 breaker is a 400/600 amp frame with either a microprocessor based over current protective trip system or a thermal magnetic trip unit. ③

Standards

The UL489/CSA 22.2 version of T5 also carries an IEC-947 rating.

Versions

To meet all application requirements, the T5 is available in the following versions:

- T = Thermal-magnetic
- B = Selectable & adjustable LI or LS
- C = Adjustable LSI
- E = Adjustable LSI^G
- D = Molded Case Switch
- E5 = Electronic instantaneous only (MCP)

Trip functions

These trip functions are available:

- L = Long time
- S = Short time
- I = Instantaneous
- G = Ground fault

Performance levels

Each version is also available in different maximum fault interrupting levels:

- N = Normal
- S = Standard
- H = High - UL Current Limiting
- L = Extra high
- V = Very high - UL Current Limiting

Number of poles ④

The T5 is available in two, three and four pole versions. Estimate 4 pole pricing by adding 35% to the 3 pole price and contact your ABB sales person for details.

UL489 / CSA C22.2 Interrupting capacity (kA RMS)

Voltage	N	S	H	L	V
240VAC	65	100	150	200	200
480VAC	25	35	65	100	150
600VAC	18	25	35	65	100
500VDC ①	25	35	50	65	100
600VDC ②	16	25	35	50	65

① 2 poles in series.
 ② 3 poles in series.
 ③ T5 600A not available with thermal magnetic trip unit.
 ④ 2 pole available in N version only. 4 pole available in N and H version only.



T5

400/600A, 600V Δ

Thermal magnetic ①

300A - 400A Frames - thermal-magnetic trip units

Breaker	IC at 480VAC kA	Rating	Magnetic trip	2 pole, 600VAC/600VDC catalog number	List price	3 pole, 600VAC/600VDC catalog number	List price
T5N	25	300A 400A	1500-3000 2000-4000	T5N300TW-2 T5N400TW-2	\$ 2485	T5N300TW T5N400TW	\$ 2612
T5S	35	300A 400A	1500-3000 2000-4000	-	-	T5S300TW T5S400TW	2880
T5H UL Current Limiting	65	300A 400A	1500-3000 2000-4000	-	-	T5H300TW T5H400TW	4950
T5L	100	300A 400A	1500-3000 2000-4000	-	-	T5L300TW T5L400TW	6400
T5V UL Current Limiting	150	300A 400A	1500-3000 2000-4000	-	-	T5V300TW T5V400TW	9873

300A - 400A Frames - 100% rated, thermal-magnetic

Breaker	IC at 480VAC	Rating	Magnetic trip	3 pole, 600VAC/600VDC Catalog number	List price
T5N	25	300A 400A	1500-3000 2000-4000	T5NQ300TW T5NQ400TW	\$ 2888
T5S	35	300A 400A	1500-3000 2000-4000	T5SQ300TW T5SQ400TW	3185
T5H UL Current Limiting	65	300A 400A	1500-3000 2000-4000	T5HQ300TW T5HQ400TW	5475
T5L	100	300A 400A	1500-3000 2000-4000	T5LQ300TW T5LQ400TW	7078
T5V UL Current Limiting	150	300A 400A	1500-3000 2000-4000	T5VQ300TW T5VQ400TW	10,920

① T5 600A not available with Thermal Magnetic trip unit.

T5

400/600A, 600V Δ

Electronic (AC only)



300A Frame, electronic trip unit (AC only)

Breaker	IC at 480VAC kA	Trip Unit	2 pole, 600V catalog number	List price	3 pole, 600V catalog number	List price
T5N	25	PR221 LS/I	T5N300BW-2	\$ 3233	T5N300BW	\$ 3260
		PR222 LSI	T5N300CW-2	3658	T5N300CW	3865
		PR222 LSIG	T5N300EW-2	4508	T5N300EW	4965
T5S	35	PR221 LS/I	-	-	T5S300BW	3350
		PR222 LSI	-	-	T5S300CW	3945
		PR222 LSIG	-	-	T5S300EW	5138
T5H UL Current Limiting	65	PR221 LS/I	-	-	T5H300BW	5395
		PR222 LSI	-	-	T5H300CW	5893
		PR222 LSIG	-	-	T5H300EW	7148
T5L	100	PR221 LS/I	-	-	T5L300BW	6860
		PR222 LSI	-	-	T5L300CW	7375
		PR222 LSIG	-	-	T5L300EW	8625
T5V UL Current Limiting	150	PR221 LS/I	-	-	T5V300BW	10,406
		PR222 LSI	-	-	T5V300CW	11,206
		PR222 LSIG	-	-	T5V300EW	12,111

400A Frame, electronic trip unit (AC only)

Breaker	IC at 480VAC kA	Trip Unit	2 pole, 600V catalog number	List price	3 pole, 600V catalog number	List price
T5N	25	PR221 LS/I	T5N400BW-2	\$ 3233	T5N400BW	\$ 3260
		PR222 LSI	T5N400CW-2	3658	T5N400CW	3865
		PR222 LSIG	T5N400EW-2	4508	T5N400EW	4965
T5S	35	PR221 LS/I	-	-	T5S400BW	3350
		PR222 LSI	-	-	T5S400CW	3945
		PR222 LSIG	-	-	T5S400EW	5138
T5H UL Current Limiting	65	PR221 LS/I	-	-	T5H400BW	5395
		PR222 LSI	-	-	T5H400CW	5893
		PR222 LSIG	-	-	T5H400EW	7148
T5L	100	PR221 LS/I	-	-	T5L400BW	6860
		PR222 LSI	-	-	T5L400CW	7375
		PR222 LSIG	-	-	T5L400EW	8625
T5V UL Current Limiting	150	PR221 LS/I	-	-	T5V400BW	10,406
		PR222 LSI	-	-	T5V400CW	11,206
		PR222 LSIG	-	-	T5V400EW	12,111

600A Frame, electronic trip unit (AC only) ①

Breaker	IC at 480VAC kA	Trip Unit	3 pole, 600V catalog number	List price
T5N	25	PR221 LS/I	T5N600BW	\$ 5750
		PR222 LSI	T5N600CW	6460
		PR222 LSIG	T5N600EW	8360
T5S	35	PR221 LS/I	T5S600BW	5910
		PR222 LSI	T5S600CW	6595
		PR222 LSIG	T5S600EW	8645
T5H	65	PR221 LS/I	T5H600BW	8170
		PR222 LSI	T5H600CW	8805
		PR222 LSIG	T5H600EW	10,890
T5L	100	PR221 LS/I	T5L600BW	9860
		PR222 LSI	T5L600CW	10,440
		PR222 LSIG	T5L600EW	12,630
T5V	150	PR221 LS/I	T5V600BW	13,550
		PR222 LSI	T5V600CW	14,375
		PR222 LSIG	T5V600EW	16,350

① T5 600A not available in 2 pole version.



T5

400/600A, 600V Δ, 100% Rated ①

Electronic (AC only)

300A Frame – 100% rated, electronic trip units (AC only)

Breaker	IC at 480VAC kA	Trip Unit	3 pole, 600V catalog number	List price
T5N	25	PR221 LS/I	T5NQ300BW	\$ 3628
		PR222 LSI	T5NQ300CW	4302
		PR222 LSIG	T5NQ300EW	5526
T5S	35	PR221 LS/I	T5SQ300BW	3729
		PR222 LSI	T5SQ300CW	4391
		PR222 LSIG	T5SQ300EW	5719
T5H	65	PR221 LS/I	T5HQ300BW	6005
		PR222 LSI	T5HQ300CW	6559
		PR222 LSIG	T5HQ300EW	7956
T5L	100	PR221 LS/I	T5LQ300BW	7635
		PR222 LSI	T5LQ300CW	8208
		PR222 LSIG	T5LQ300EW	9600
T5V	150	PR221 LS/I	T5VQ300BW	11,582
		PR222 LSI	T5VQ300CW	12,473
		PR222 LSIG	T5VQ300EW	13,480

400A Frame – 100% rated, electronic trip units (AC only)

Breaker	IC at 480VAC kA	Trip Unit	3 pole, 600V catalog number	List price
T5N	25	PR221 LS/I	T5NQ400BW	\$ 3628
		PR222 LSI	T5NQ400CW	4302
		PR222 LSIG	T5NQ400EW	5526
T5S	35	PR221 LS/I	T5SQ400BW	3729
		PR222 LSI	T5SQ400CW	4391
		PR222 LSIG	T5SQ400EW	5719
T5H	65	PR221 LS/I	T5HQ400BW	6005
		PR222 LSI	T5HQ400CW	6559
		PR222 LSIG	T5HQ400EW	7956
T5L	100	PR221 LS/I	T5LQ400BW	7635
		PR222 LSI	T5LQ400CW	8208
		PR222 LSIG	T5LQ400EW	9600
T5V	150	PR221 LS/I	T5VQ400BW	11,582
		PR222 LSI	T5VQ400CW	12,473
		PR222 LSIG	T5VQ400EW	13,480

① T5 600A not available in 100% rated frame.

T5

400/600A, 600V Δ

Instantaneous only, MCP/Molded case switch



T5 - 400A Frame, magnetic only (MCP - AC only)

Breaker	IC at 480VAC	Trip unit type	Rating	Adjustment range	3 pole, 600VAC Catalog number	List price
T5N	25kA	Instantaneous only	300A 400A	300-3000 400-4000	T5N300E5W T5N400E5W	\$ 3097
T5S	35kA	Instantaneous only	300A 400A	300-3000 400-4000	T5S300E5W T5S400E5W	3183
T5H	65kA	Instantaneous only	300A 400A	300-3000 400-4000	T5H300E5W T5H400E5W	5125
T5L	100kA	Instantaneous only	300A 400A	300-3000 400-4000	T5L300E5W T5L400E5W	6517

T5 - 600A Frame, magnetic only (MCP - AC only)

Breaker	IC at 480VAC	Trip unit type	Rating	Adjustment range	3 pole, 600VAC Catalog number	List price
T5N	25kA	Instantaneous only	600A	600-6000	T5N600E5W	\$ 5615
T5S	35kA	Instantaneous only	600A	600-6000	T5S600E5W	5770
T5H	65kA	Instantaneous only	600A	600-6000	T5H600E5W	7761
T5L	100kA	Instantaneous only	600A	600-6000	T5L600E5W	9370

Molded case switch ①

Type	IC at 480VAC	Amps	Magnetic trip	3 pole 600V catalog number	List price
T5N-D	25kA	400	5000	T5N400DW	\$ 2393
T5S-D	35kA	400	5000	T5S400DW	2659
T5H-D	65kA	400	5000	T5H400DW	4585
T5L-D	100kA	400	5000	T5L400DW	5878
T5V-D	150kA	400	5000	T5V400DW	7536
T5N-D	25kA	600	6000	T5N600DW	\$ 3419
T5S-D	35kA	600	6000	T5S600DW	3799
T5H-D	65kA	600	6000	T5H600DW	6550
T5L-D	100kA	600	6000	T5L600DW	8350
T5V-D	150kA	600	6000	T5V600DW	11,575

Note: For terminal connection options see page 15.49

① When protected by a OCPD with appropriate ratings.

T6

600A, 800A, 600V Δ

Thermal magnetic and electronic



T6

Dimensions 3P Fixed Version 10.55H x 8.26W x 4.07D
Weight 20.9 (lbs)

General

The T6 breaker is an 800 amp frame with either a microprocessor based over current protective trip system or a thermal magnetic trip unit. The T6 is available as a 600 or 800A frame.

Standards

The UL489/CSA 22.2 version of T6 also carries an IEC-947 rating.

Versions

To meet all application requirements, the T6 is available in the following versions:

- T = Thermal-magnetic, fixed
- B = Selectable & adjustable LI or LS
- C = Adjustable LSI
- E = Adjustable LSIG
- D = Molded Case Switch
- E5 = Electronic instantaneous only (MCP)

Trip functions

These trip functions are available:

- L = Long time
- S = Short time
- I = Instantaneous
- G = Ground fault

Performance levels

Each version is also available in different maximum fault interrupting levels:

- N = Normal
- S = Standard
- H = High
- L = Extra high

Number of poles

The T6 is available as a 3 and 4 pole breaker. Estimate 4 pole pricing by adding 35% to the 3 pole price and contact your ABB sales person for details.

UL489 / CSA C22.2 Interrupting capacity (kA RMS)

Voltage	N	S	H	L
240VAC	65	100	200	200
480VAC	35	50	65	100
600VAC	20	25	35	42
500VDC ①	35	35	50	65
600VDC ②	20	20	35	50

① 2 poles in series.

② 3 poles in series.

T6

600A, 800A, 600V Δ

Thermal magnetic and electronic



T6

600A, 800A, 600V

Thermal Magnetic Trip Units

Breaker	IC at 480 VAC kA	Rating	Magnetic trip	3 pole, 600VAC/600VDC catalog number	List price
T6N	35	600A 800A	6000A 8000A	T6N600TW T6N800TW	Consult factory
T6S	50	600A 800A	6000A 8000A	T6S600TW T6S800TW	
T6H	65	600A 800A	6000A 8000A	T6H600TW T6H800TW	
T6L	100	600A 800A	6000A 8000A	T6L600TW T6L800TW	

T6

600A, 800A, 600V

Thermal Magnetic Trip Units 100% rated

Breaker	IC at 480 VAC kA	Rating	Magnetic trip	3 pole, 600VAC/600VDC catalog number	List price
T6N	35	600A 800A	6000A 8000A	T6NQ600TW T6NQ800TW	Consult factory
T6S	50	600A 800A	6000A 8000A	T6SQ600TW T6SQ800TW	
T6H	65	600A 800A	6000A 8000A	T6HQ600TW T6HQ800TW	
T6L	100	600A 800A	6000A 8000A	T6LQ600TW T6LQ800TW	

T6

600A, 600V

Electronic Trip Units

Breaker	IC at 480VAC	Trip type	Adjustment	3 pole, 600VAC catalog number	List price
T6N	35	PR221 PR222 PR222	LS/I LSI LSIG	T6N600BW T6N600CW T6N600EW	Consult factory
T6S	50	PR221 PR222 PR222	LS/I LSI LSIG	T6S600BW T6S600CW T6S600EW	
T6H	65	PR221 PR222 PR222	LS/I LSI LSIG	T6H600BW T6H600CW T6H600EW	
T6L	100	PR221 PR222 PR222	LS/I LSI LSIG	T6L600BW T6L600CW T6L600EW	

T6

800A, 600V

Electronic Trip Units

Breaker	IC at 480VAC	Trip type	Adjustment	3 pole, 600VAC catalog number	List price
T6N	35	PR221 PR222 PR222	LS/I LSI LSIG	T6N800BW T6N800CW T6N800EW	Consult factory
T6S	50	PR221 PR222 PR222	LS/I LSI LSIG	T6S800BW T6S800CW T6S800EW	
T6H	65	PR221 PR222 PR222	LS/I LSI LSIG	T6H800BW T6H800CW T6H800EW	
T6L	100	PR221 PR222 PR222	LS/I LSI LSIG	T6L800BW T6L800CW T6L800EW	



T6

600A, 800A, 600V Δ

Thermal magnetic and electronic

T6 600A, 600V Δ

Electronic Trip Units 100% Rated

Breaker	IC at 480VAC	Trip type	Adjustment	3 pole, 600VAC catalog number	List price
T6N	35	PR221	LS/I	T6NQ600BW T6NQ600CW T6NQ600EW	Consult factory
		PR222	LSI		
		PR222	LSIG		
T6S	50	PR221	LS/I	T6SQ600BW T6SQ600CW T6SQ600EW	
		PR222	LSI		
		PR222	LSIG		
T6H	65	PR221	LS/I	T6HQ600BW T6HQ600CW T6HQ600EW	
		PR222	LSI		
		PR222	LSIG		
T6L	100	PR221	LS/I	T6LQ600BW T6LQ600CW T6LQ600EW	
		PR222	LSI		
		PR222	LSIG		

T6 800A, 600V

Electronic Trip Units 100% Rated

Breaker	IC at 480VAC	Trip type	Adjustment	3 pole, 600VAC catalog number	List price
T6N	35	PR221	LS/I	T6NQ800BW T6NQ800CW T6NQ800EW	Consult factory
		PR222	LSI		
		PR222	LSIG		
T6S	50	PR221	LS/I	T6SQ800BW T6SQ800CW T6SQ800EW	
		PR222	LSI		
		PR222	LSIG		
T6H	65	PR221	LS/I	T6HQ800BW T6HQ800CW T6HQ800EW	
		PR222	LSI		
		PR222	LSIG		
T6L	100	PR221	LS/I	T6LQ800BW T6LQ800CW T6LQ800EW	
		PR222	LSI		
		PR222	LSIG		

T6 600A, 600V Δ

Electronic Trip Units Instantaneous Only

Breaker	IC at 480VAC	kA	Trip type	Adjustment Range	3 pole, 600VAC catalog number	List price
T6N	35		PR221	600-6000	T6N600E5W	Consult factory
T6S	50		PR221	600-6000	T6S600E5W	
T6H	65		PR221	600-6000	T6H600E5W	
T6L	100		PR221	600-6000	T6L600E5W	

T6 800A, 600V

Electronic Trip Units Instantaneous Only

Breaker	IC at 480VAC	kA	Trip type	Adjustment Range	3 pole, 600VAC catalog number	List price
T6N	35		PR221	800-8000	T6N800E5W	Consult factory
T6S	50		PR221	800-8000	T6S800E5W	
T6H	65		PR221	800-8000	T6H800E5W	
T6L	100		PR221	800-8000	T6L800E5W	

T6 800A, 600V Molded Case Switch

Breaker	IC at 480VAC ①	Amp	Magnetic Trip	3 pole, 600VAC catalog number	List price
T6H	65	800	10,000	T6H800DW	Consult factory

Note: For terminal connection options see page 15.49

① When protected by a OCPD with appropriate ratings.

T7

1200A, 600V Δ

Electronic



T7

Dimensions 3P Fixed Version 10.55H x 8.26W x 6.06D
Weight 21.4 (lbs)

General

The T7 breaker is a 1200 amp frame with a microprocessor based over current protective trip system.

Standards

The UL489/CSA 22.2 version of T7 also carries an IEC-947 rating.

Versions

To meet all application requirements, the T7 is available in the following versions:
 B = Selectable & adjustable LI or LS
 C = Adjustable LSI
 E = Adjustable LSIG
 D = Molded Case Switch
 E5 = Electronic instantaneous only (MCP)

Trip functions

These trip functions are available:
 L = Long time
 S = Short time
 I = Instantaneous
 G = Ground fault

Performance levels

Each version is also available in different maximum fault interrupting levels:
 S = Standard
 H = High
 L = Extra high

Number of poles

The T7 is available as a 3 and 4 pole breaker. Estimate 4 pole pricing by adding 35% to the 3 pole price and contact your ABB sales person for details.

UL489 / CSA C22.2 Interrupting capacity (kA RMS)

Voltage	S	H	L
240VAC	65	100	150
480VAC	50	65	100
600VAC	25	50	65

T7

1200A, 600V Δ

Electronic

T7S

400A, 600V

Electronic

Breaker	IC at 480VAC	kA	Trip type	Adjustment	3 pole, 600VAC catalog number	List price
T7S	50		PR231/P	LS/I	T7S400BW	Consult factory
			PR232/P	LSI	T7S400CW	
			PR331/P	LSIG	T7S400EW	
			PR332/P	LI	T7S400PW	
			PR332/P	LSI	T7S400RW	
			PR332/P	LSIG	T7S400SW	

T7S

600A, 600V

Electronic

Breaker	IC at 480VAC	kA	Trip type	Adjustment	3 pole, 600VAC catalog number	List price
T7S	50		PR231/P	LS/I	T7S600BW	Consult factory
			PR232/P	LSI	T7S600CW	
			PR331/P	LSIG	T7S600EW	
			PR332/P	LI	T7S600PW	
			PR332/P	LSI	T7S600RW	
			PR332/P	LSIG	T7S600SW	

T7S

800A, 600V

Electronic

Breaker	IC at 480VAC	kA	Trip type	Adjustment	3 pole, 600VAC catalog number	List price
T7S	50		PR231/P	LS/I	T7S800BW	Consult factory
			PR232/P	LSI	T7S800CW	
			PR331/P	LSIG	T7S800EW	
			PR332/P	LI	T7S800PW	
			PR332/P	LSI	T7S800RW	
			PR332/P	LSIG	T7S800SW	

T7S

1000A, 600V

Electronic

Breaker	IC at 480VAC	kA	Trip type	Adjustment	3 pole, 600VAC catalog number	List price
T7S	50		PR231/P	LS/I	T7S1000BW	Consult factory
			PR232/P	LSI	T7S1000CW	
			PR331/P	LSIG	T7S1000EW	
			PR332/P	LI	T7S1000PW	
			PR332/P	LSI	T7S1000RW	
			PR332/P	LSIG	T7S1000SW	

T7S

1200A, 600V

Electronic

Breaker	IC at 480VAC	kA	Trip type	Adjustment	3 pole, 600VAC catalog number	List price
T7S	50		PR231/P	LS/I	T7S1200BW	Consult factory
			PR232/P	LSI	T7S1200CW	
			PR331/P	LSIG	T7S1200EW	
			PR332/P	LI	T7S1200PW	
			PR332/P	LSI	T7S1200RW	
			PR332/P	LSIG	T7S1200SW	

T7

1200A, 600V Δ

Electronic

Tmax
MCCBs

T7H

400A, 600V

Electronic

Breaker	IC at 480VAC	kA	Trip type	Adjustment	3 pole, 600VAC catalog number	List price
T7H	65		PR231/P	LS/I	T7H400BW	Consult factory
			PR232/P	LSI	T7H400CW	
			PR331/P	LSIG	T7H400EW	
			PR332/P	LI	T7H400PW	
			PR332/P	LSI	T7H400RW	
			PR332/P	LSIG	T7H400SW	

T7H

600A, 600V

Electronic

Breaker	IC at 480VAC	kA	Trip type	Adjustment	3 pole, 600VAC catalog number	List price
T7H	65		PR231/P	LS/I	T7H600BW	Consult factory
			PR232/P	LSI	T7H600CW	
			PR331/P	LSIG	T7H600EW	
			PR332/P	LI	T7H600PW	
			PR332/P	LSI	T7H600RW	
			PR332/P	LSIG	T7H600SW	

T7H

800A, 600V

Electronic

Breaker	IC at 480VAC	kA	Trip type	Adjustment	3 pole, 600VAC catalog number	List price
T7H	65		PR231/P	LS/I	T7H800BW	Consult factory
			PR232/P	LSI	T7H800CW	
			PR331/P	LSIG	T7H800EW	
			PR332/P	LI	T7H800PW	
			PR332/P	LSI	T7H800RW	
			PR332/P	LSIG	T7H800SW	

T7H

1000A, 600V

Electronic

Breaker	IC at 480VAC	kA	Trip type	Adjustment	3 pole, 600VAC catalog number	List price
T7H	65		PR231/P	LS/I	T7H1000BW	Consult factory
			PR232/P	LSI	T7H1000CW	
			PR331/P	LSIG	T7H1000EW	
			PR332/P	LI	T7H1000PW	
			PR332/P	LSI	T7H1000RW	
			PR332/P	LSIG	T7H1000SW	

T7H

1200A, 600V

Electronic

Breaker	IC at 480VAC	kA	Trip type	Adjustment	3 pole, 600VAC catalog number	List price
T7H	65		PR231/P	LS/I	T7H1200BW	Consult factory
			PR232/P	LSI	T7H1200CW	
			PR331/P	LSIG	T7H1200EW	
			PR332/P	LI	T7H1200PW	
			PR332/P	LSI	T7H1200RW	
			PR332/P	LSIG	T7H1200SW	

T7

1200A, 600V Δ

Electronic

T7L

400A, 600V

Electronic

Breaker	IC at 480VAC	kA	Trip type	Adjustment	3 pole, 600VAC catalog number	List price
T7L	100		PR231/P	LS/I	T7L400BW	Consult factory
			PR232/P	LSI	T7L400CW	
			PR331/P	LSIG	T7L400EW	
			PR332/P	LI	T7L400PW	
			PR332/P	LSI	T7L400RW	
			PR332/P	LSIG	T7L400SW	

T7L

600A, 600V

Electronic

Breaker	IC at 480VAC	kA	Trip type	Adjustment	3 pole, 600VAC catalog number	List price
T7L	100		PR231/P	LS/I	T7L600BW	Consult factory
			PR232/P	LSI	T7L600CW	
			PR331/P	LSIG	T7L600EW	
			PR332/P	LI	T7L600PW	
			PR332/P	LSI	T7L600RW	
			PR332/P	LSIG	T7L600SW	

T7L

800A, 600V

Electronic

Breaker	IC at 480VAC	kA	Trip type	Adjustment	3 pole, 600VAC catalog number	List price
T7L	100		PR231/P	LS/I	T7L800BW	Consult factory
			PR232/P	LSI	T7L800CW	
			PR331/P	LSIG	T7L800EW	
			PR332/P	LI	T7L800PW	
			PR332/P	LSI	T7L800RW	
			PR332/P	LSIG	T7L800SW	

T7L

1000A, 600V

Electronic

Breaker	IC at 480VAC	kA	Trip type	Adjustment	3 pole, 600VAC catalog number	List price
T7L	100		PR231/P	LS/I	T7L1000BW	Consult factory
			PR232/P	LSI	T7L1000CW	
			PR331/P	LSIG	T7L1000EW	
			PR332/P	LI	T7L1000PW	
			PR332/P	LSI	T7L1000RW	
			PR332/P	LSIG	T7L1000SW	

T7L

1200A, 600V

Electronic

Breaker	IC at 480VAC	kA	Trip type	Adjustment	3 pole, 600VAC catalog number	List price
T7L	100		PR231/P	LS/I	T7L1200BW	Consult factory
			PR232/P	LSI	T7L1200CW	
			PR331/P	LSIG	T7L1200EW	
			PR332/P	LI	T7L1200PW	
			PR332/P	LSI	T7L1200RW	
			PR332/P	LSIG	T7L1200SW	

T7

1200A, 600V Δ

Electronic, 100% rated

T7S

400A, 600V

Electronic, 100% rated

Breaker	IC at 480VAC kA	Trip type	Adjustment	3 pole, 600VAC catalog number	List price
T7S	50	PR231/P	LS/I	T7SQ400BW	Consult factory
		PR232/P	LSI	T7SQ400CW	
		PR331/P	LSIG	T7SQ400EW	
		PR332/P	LI	T7SQ400PW	
		PR332/P	LSI	T7SQ400RW	
		PR332/P	LSIG	T7SQ400SW	

T7S

600A, 600V

Electronic, 100% rated

Breaker	IC at 480VAC kA	Trip type	Adjustment	3 pole, 600VAC catalog number	List price
T7S	50	PR231/P	LS/I	T7SQ600BW	Consult factory
		PR232/P	LSI	T7SQ600CW	
		PR331/P	LSIG	T7SQ600EW	
		PR332/P	LI	T7SQ600PW	
		PR332/P	LSI	T7SQ600RW	
		PR332/P	LSIG	T7SQ600SW	

T7S

800A, 600V

Electronic, 100% rated

Breaker	IC at 480VAC kA	Trip type	Adjustment	3 pole, 600VAC catalog number	List price
T7S	50	PR231/P	LS/I	T7SQ800BW	Consult factory
		PR232/P	LSI	T7SQ800CW	
		PR331/P	LSIG	T7SQ800EW	
		PR332/P	LI	T7SQ800PW	
		PR332/P	LSI	T7SQ800RW	
		PR332/P	LSIG	T7SQ800SW	

T7S

1000A, 600V

Electronic, 100% rated

Breaker	IC at 480VAC kA	Trip type	Adjustment	3 pole, 600VAC catalog number	List price
T7S	50	PR231/P	LS/I	T7SQ1000BW	Consult factory
		PR232/P	LSI	T7SQ1000CW	
		PR331/P	LSIG	T7SQ1000EW	
		PR332/P	LI	T7SQ1000PW	
		PR332/P	LSI	T7SQ1000RW	
		PR332/P	LSIG	T7SQ1000SW	

T7S

1200A, 600V

Electronic, 100% rated

Breaker	IC at 480VAC kA	Trip type	Adjustment	3 pole, 600VAC catalog number	List price
T7S	50	PR231/P	LS/I	T7SQ1200BW	Consult factory
		PR232/P	LSI	T7SQ1200CW	
		PR331/P	LSIG	T7SQ1200EW	
		PR332/P	LI	T7SQ1200PW	
		PR332/P	LSI	T7SQ1200RW	
		PR332/P	LSIG	T7SQ1200SW	

T7

1200A, 600V Δ

Electronic, 100% rated

T7H

400A, 600V

Electronic, 100% rated

Breaker	IC at 480VAC kA	Trip type	Adjustment	3 pole, 600VAC catalog number	List price
T7H	65kA	PR231/P	LS/I	T7HQ400BW	Consult factory
		PR232/P	LSI	T7HQ400CW	
		PR331/P	LSIG	T7HQ400EW	
		PR332/P	LI	T7HQ400PW	
		PR332/P	LSI	T7HQ400RW	
		PR332/P	LSIG	T7HQ400SW	

T7H

600A, 600V

Electronic, 100% rated

Breaker	IC at 480VAC kA	Trip type	Adjustment	3 pole, 600VAC catalog number	List price
T7H	65kA	PR231/P	LS/I	T7HQ600BW	Consult factory
		PR232/P	LSI	T7HQ600CW	
		PR331/P	LSIG	T7HQ600EW	
		PR332/P	LI	T7HQ600PW	
		PR332/P	LSI	T7HQ600RW	
		PR332/P	LSIG	T7HQ600SW	

T7H

800A, 600V

Electronic, 100% rated

Breaker	IC at 480VAC kA	Trip type	Adjustment	3 pole, 600VAC catalog number	List price
T7H	65kA	PR231/P	LS/I	T7HQ800BW	Consult factory
		PR232/P	LSI	T7HQ800CW	
		PR331/P	LSIG	T7HQ800EW	
		PR332/P	LI	T7HQ800PW	
		PR332/P	LSI	T7HQ800RW	
		PR332/P	LSIG	T7HQ800SW	

T7H

1000A, 600V

Electronic, 100% rated

Breaker	IC at 480VAC kA	Trip type	Adjustment	3 pole, 600VAC catalog number	List price
T7H	65	PR231/P	LS/I	T7HQ1000BW	Consult factory
		PR232/P	LSI	T7HQ1000CW	
		PR331/P	LSIG	T7HQ1000EW	
		PR332/P	LI	T7HQ1000PW	
		PR332/P	LSI	T7HQ1000RW	
		PR332/P	LSIG	T7HQ1000SW	

T7H

1200A, 600V

Electronic, 100% rated

Breaker	IC at 480VAC kA	Trip type	Adjustment	3 pole, 600VAC catalog number	List price
T7H	65	PR231/P	LS/I	T7HQ1200BW	Consult factory
		PR232/P	LSI	T7HQ1200CW	
		PR331/P	LSIG	T7HQ1200EW	
		PR332/P	LI	T7HQ1200PW	
		PR332/P	LSI	T7HQ1200RW	
		PR332/P	LSIG	T7HQ1200SW	

T7

1200A, 600V Δ

Electronic, 100% rated

T7L

400A, 600V

Electronic, 100% rated

Breaker	IC at 480VAC	Trip type	Adjustment	3 pole, 600VAC catalog number	List price
T7L	100kA	PR231/P	LS/I	T7LQ400BW	Consult factory
		PR232/P	LSI	T7LQ400CW	
		PR331/P	LSIG	T7LQ400EW	
		PR332/P	LI	T7LQ400PW	
		PR332/P	LSI	T7LQ400RW	
		PR332/P	LSIG	T7LQ400SW	

T7L

600A, 600V

Electronic, 100% rated

Breaker	IC at 480VAC	Trip type	Adjustment	3 pole, 600VAC catalog number	List price
T7L	100kA	PR231/P	LS/I	T7LQ600BW	Consult factory
		PR232/P	LSI	T7LQ600CW	
		PR331/P	LSIG	T7LQ600EW	
		PR332/P	LI	T7LQ600PW	
		PR332/P	LSI	T7LQ600RW	
		PR332/P	LSIG	T7LQ600SW	

T7L

800A, 600V

Electronic, 100% rated

Breaker	IC at 480VAC	Trip type	Adjustment	3 pole, 600VAC catalog number	List price
T7L	100kA	PR231/P	LS/I	T7LQ800BW	Consult factory
		PR232/P	LSI	T7LQ800CW	
		PR331/P	LSIG	T7LQ800EW	
		PR332/P	LI	T7LQ800PW	
		PR332/P	LSI	T7LQ800RW	
		PR332/P	LSIG	T7LQ800SW	

T7L

1000A, 600V

Electronic, 100% rated

Breaker	IC at 480VAC kA	Trip type	Adjustment	3 pole, 600VAC catalog number	List price
T7L	100	PR231/P	LS/I	T7LQ1000BW	Consult factory
		PR232/P	LSI	T7LQ1000CW	
		PR331/P	LSIG	T7LQ1000EW	
		PR332/P	LI	T7LQ1000PW	
		PR332/P	LSI	T7LQ1000RW	
		PR332/P	LSIG	T7LQ1000SW	

T7L

1200A, 600V

Electronic, 100% rated

Breaker	IC at 480VAC kA	Trip type	Adjustment	3 pole, 600VAC catalog number	List price
T7L	100	PR231/P	LS/I	T7LQ1200BW	Consult factory
		PR232/P	LSI	T7LQ1200CW	
		PR331/P	LSIG	T7LQ1200EW	
		PR332/P	LI	T7LQ1200PW	
		PR332/P	LSI	T7LQ1200RW	
		PR332/P	LSIG	T7LQ1200SW	

T7
1200A, 600V Δ
Electronic/Molded case switch

T7
1200A, 600V
Electronic trip instantaneous only

Breaker	IC at 480VAC kA	Trip type	Adjustment	3 pole, 600VAC catalog number	List price
T7	-	PR231	1200-14,400 1200-14,400 1200-14,400	T7S1200E5W T7H1200E5W T7L1200E5W	Consult factory

T7
1200A, 600V
Molded case switch

Breaker	IC at 480VAC kA ①	Amp	Magnetic trip	3 pole, 600VAC catalog number	List price
T7H	-	1200	12,000	T7H1200DW	Consult factory

Note: For terminal connection options see page 15.49

① When protected by a OCPD with appropriate ratings.

S8 1600 / 2000 / 2500A Insulated case circuit breaker



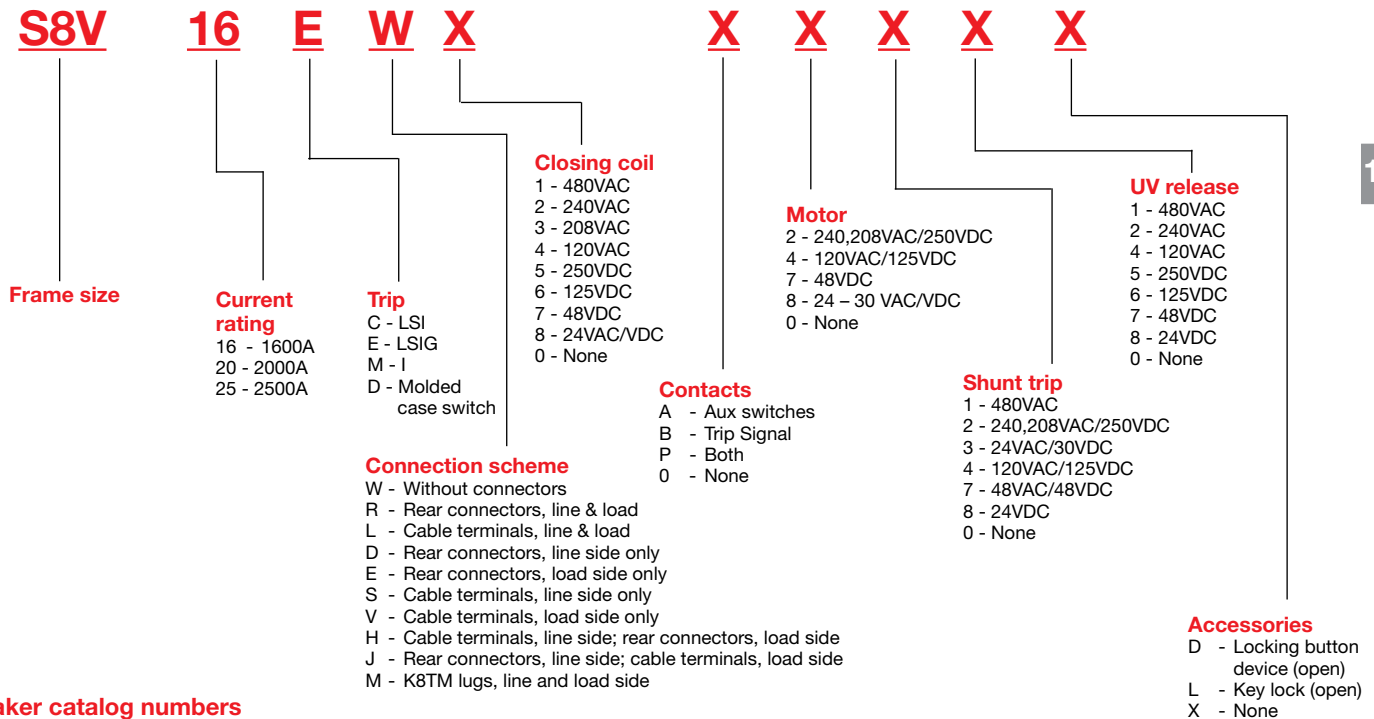
Description

- Insulated case type molded case circuit breaker with manually operated stored energy mechanism. Optional electric charging motor available
- Three cycle closing time for use in generator synchronizing applications.
- Electric spring charging mechanism rated for over 5,000 operations
- Three different frame ratings, 1600, 2000 and 2500 amperes. All are same compact physical size.
- Solid state trip units are available in four different configurations including adjustments for long time, short time, instantaneous and ground fault.
- Standard interrupting rating of 100kA at 480VAC.
- Short time withstand rating of 35kA at 600VAC for one second when breaker ordered with adjustable short time trip.
- Breaker includes charging handle for manual energizing of closing/opening springs
- Built-in ground fault (LSIG) for use with four-wire systems requires neutral GF sensor. Meets NEC ground fault requirements for service entrance applications.
- Internal accessories include electric charging motor, shunt trips, a combination auxiliary/bell alarm switch, and an undervoltage release.
- Breakers are suitable for use in reverse feed applications.
- Wide range of adjustments on trip settings, trip unit includes cover to prevent tampering.
- Front indicators for contact position.
- Uses convenient mounting pads for ease of installation in enclosures.
- Internal accessories are prewired to terminal block mounted on right side of breaker.
- Trip signal contact option indicates when breaker has tripped due to overcurrent.
- Canadian Standards Association certification under C22.2 No. 5 under File LR90467 for both breakers and internal accessories.
- In compliance with IEC947 including 690VAC. Breakers are labeled with both UL/CSA and IEC ratings.
- Breakers are Underwriters Laboratories listed under Standard UL 489 for molded case circuit breakers per File E93565, internal accessories are per File E116596.
- Top feed.
- Vertical mounting only.



Dimensions 3P Fixed Version
15.75" H x 15.98" W x 9.25" D
Weight 135 (lbs)

Catalog number explanation



Breaker catalog numbers

The breaker catalog number must be completed. Please note that variations can affect price.

S8

1600 / 2000 / 2500A

Insulated case circuit breaker

Description

Breaker is shipped complete with installed trip unit and accessories. Cable terminals or rear T connectors can be included if desired. For four-wire systems an external neutral ground fault sensor must be ordered separately.

Trip functions

- L – Long time pick-up and delay
- S – Short time pick-up and delay
- I – Instantaneous trip
- G – Ground fault pick-up and delay

3 pole, 600VAC maximum[Ⓢ]

Maximum continuous rating				1600A		2000A		2500A	
Breaker	IC at 480VAC	Trip type	Adjustment	Catalog number	List price	Catalog number	List price	Catalog number	List price
S8V	100kA	PR212	LSI	S8V16CW	\$ 12,540	S8V20CW	\$ 14,427	S8V25CW	\$ 21,561
			LSIG	S8V16EW	14,505	S8V20EW	16,561	S8V25EW	24,487
			I	S8V16MW	11,267	S8V20MW	12,988	S8V25MW	20,916
			MCS	S8V16DW	9620	S8V20DW	10,999	S8V25DW	16,267

UL/CSA Interrupting capacity (kA RMS)

UL489 / CSA C22.2

Voltage	V
240VAC	125
480VAC	100
600VAC	85
600VDC [Ⓢ]	25

IEC-947 Interrupting capacity (kA RMS)

Voltage	V
230VAC	120
300/400/415VAC	120
440VAC	100
500VAC	70
690VAC	50

Trip settings

Adjustment	Trip function	Range	Individual settings
L	Long time pick-up Long time delay	0.4 – 1.0 3.0 – 18 sec.	0.4-0.5-0.6-0.7-0.8-0.9-0.95-1.0 x Frame rating A - B - C - D
S	Short time pick-up Short time delay	1.0 – 10.0 0.05 – 0.5 sec.	Off-1.0-2.0-3.0-4.0-6.0-8.0-10.0 x Frame rating A - B - C - D (I ² t On-Off)
I	Instantaneous trip	1.5 – 12.0	1.5-2.0-4.0-6.0-8.0-10.0-12.0 x Frame rating
G	Ground fault Ground fault delay	0.2 – 1.0 0.1 – 0.8 sec.	Off-0.2-0.3-0.4 x Frame rating A - B - C - D

Continuous amperage settings (long time adjustment)

Frame	Set points								Setting
	0.4	0.5	0.6	0.7	0.8	0.9	0.95	1.0	
1600A	640	800	960	1120	1280	1440	1520	1600	Amps
2000A	800	1000	1200	1400	1600	1800	1900	2000	Amps
2500A	1000	1250	1500	1750	2000	2250	2375	2500	Amps

UL 100% equipment rated circuit breakers

Circuit breakers and cable are sized per the National Electric Code on a basis of actual continuous load current divided by 80%. For example, a 360 ampere load should be connected by cable capable of handling 450 amperes (360A / 0.80 = 450A) and therefore be protected by a 450 ampere rated circuit breaker. Other factors may need to be considered when sizing breakers in special applications.

When applied correctly, UL-tested 100% equipment rated breakers may be applied at full rating, therefore saving the user the cost of larger cable or bus. Using the example above, the 360 ampere load could be used with cable capable of handling 360 amperes (360A / 1.00 = 360A) and only a 400 ampere rated circuit breaker (400A is next available size CB).

1600A, S8 Frame 100% rated

Catalog number	List price
S8VQ16CW	\$ 13,168
S8VQ16EW	15,231

2000A, S8 Frame 100% rated

Catalog number	List price
S8VQ20CW	\$ 15,148
S8VQ20EW	17,390

Ⓢ Three pole breakers are listed and approved for use in two pole applications with center-pole not connected.
 Ⓢ Applies to MCS only.

S8

1600A, 2000A & 2500A

Accessories

Isomax

Internal accessories

(Must be factory mounted for UL/CSA)

Item	Type	Factory installed catalog number suffix	List price
Closing coil	480VAC	1	\$ 575
	240VAC	2	
	208VAC	3	
	120VAC	4	
	250VDC	5	
	125VDC	6	
	48VDC	7	
	24VAC/VDC	8	
Electric motor (inc. spring charged signal contact)	240,208VAC & 250VDC	2	3217
	120VAC/125VDC	4	
	48VDC	7	
	24 – 30VAC/VDC	8	
Shunt trip	480VAC	1	518
	240,208VAC & 250VDC	2	
	24VAC/30VDC	3	
	120VAC/125VDC	4	
	48VAC/48VDC	7	
	24VDC	8	
Undervoltage release	480VAC	1	518
	240VAC	2	
	120VAC	4	
	250VDC	5	
	125VDC	6	
	48VDC	7	
	24VDC	8	
	Aux. contacts	2A/1B	
Trip signal	1A/1B	B	192
Combo. aux. & trip contacts	2A/1B Aux & 1A/1B Trip	P	588
Padlockable button cover (open)	—	D	144
Key lock (open)	—	L	155

Connection accessories (includes sets of 3)

Item	Type	Catalog number	List price
Cable terminals	1600A Max.	1/0 – 750kcmil (4)	\$ 274
	2500A Max.	1/0 – 750kcmil (6)	315
	Rear T conn.	2500A Max.	K8RT2500

Neutral ground fault current transformer

Item	Type	Catalog number	List price
Ground Fault Neutral CT	1600A	K8NCT-1600	\$ 888
	2000A	K8NCT-2000	
	2500A	K8NCT-2500	

Note: Neutral GF CT required for proper GF operation.

Door flange

Item	Catalog number	List price
Face plate	K8FP	\$ 25

Closing coil

Required for closing breaker electrically, the coil voltage must be specified at the time of order entry.

Internal accessory ratings

Accessory type	Voltage	Rating
Shunt trip	All	100VA/120Watts
Undervoltage releases	AC/DC	30VA (12 Watts/10VA (4 Watts))
Auxiliary contacts	240VAC 125VDC 250VDC	10A Max. 0.3A Max. 0.15A Max
Closing coil	AC/DC	30VA / 40VA

Stored energy electric motor operators

E.O.	Type	Inrush (VA)	Normal (watts)	Closing time	Opening time	Resetting time
MS8	Stored energy	1000	230	0.05s	0.035s	9.0s

Mechanical life of 10,000 cycles at 20 operations per hour.

Accessories

Electrical

T1 - T7



Shunt trips -(Standard) ①

For remote opening of circuit breaker. Guaranteed operation for a voltage of between 75-110% of the rated power supply voltage. T1-T6 mounts in the left hand cavity cannot be used with UVR on 2-3P breakers

Frame Size	Voltage	Factory Installation ①		Field Installation	
		Catalog number suffix	List price adder	Catalog number	List Price
T1-T3	480 - 500VAC 220-250VAC/DC 380 - 440VAC 110 - 125VAC/DC 48 - 60VAC/DC 24 - 30VAC/DC 12VDC	S1	\$ 535	KT3S1	\$ 490
		S2			
		S3			
		S4			
		S7			
		S8			
		S9			
		S9			
		S9			
Ts3	480VAC/250VDC 240 VAC 120VAC/125VDC 48VDC 24VAC/VDC 12VDC	S1	535	KTS3S1	490
		S2			
		S4			
		S7			
		S8			
		S8			
		S9			
		S9			
		S9			
T4,T5,T6	480-500VAC 220/250VAC/DC 380-440VAC 110-125VAC/DC 48-60VAC/DC 24VAC/DC 12VDC	S1	535	KT5S1	490
		S2			
		S3			
		S4			
		S7			
		S8			
		S8			
		S9			
		S9			
T7	415-440VAC 380-400VAC 240-250VAC/DC 220-240VAC/DC 120-127VAC/DC 110-120VAC/DC 60VAC/DC 48VAC/DC 30VAC/DC 24VAC/DC	S1	535	KT7XS1	490
		S2			
		S3			
		S4			
		S5			
		S6			
		S7			
		S8			
		S8			
		S9			
		S9			

Shunt trip connector (REQUIRED for Ts3) ②

Frame Size	Mounting	Installation	Field Kit	List Price
Ts3	Fixed Mount ②	Included when shunt trip factory installed	KTS3C-SU	\$ 45
Ts3	Draw-out ②	Included when shunt trip factory installed	KTS3C-SUP	

Shunt trips (Permanent Supply) ①

For remote opening of circuit breaker. Guaranteed operation for a voltage of between 75-110% of the rated power supply voltage. These shunt trips have much lower power consumption.

Frame Size	Voltage	Factory Installation ①		Field Installation	
		Catalog number suffix	List price adder	Catalog number	List Price
Ts3	24VDC 120VAC	SA	\$ 535	KTS3SA	\$ 490
		SB		KTS3SB	
T4,T5,T6	24-30VDC 110/120VAC	SA	535	KT5SA	490
		SB		KT5SB	

Shunt trip connector (REQUIRED for Ts3) ②

Frame Size	Mounting	Installation	Field Kit	List Price
Ts3	Fixed Mount ②	Included when shunt trip factory installed	KTS3C-SU	\$ 45
Ts3	Draw-out ②	Included when shunt trip factory installed	KTS3C-SUP	

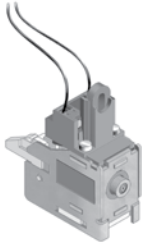
① For factory installation add suffix given to end of circuit breaker catalog number per accessory format.
② Must be ordered separately for field installation.

Accessories

Electrical

T1 - T7

Tmax
MCCBs



KT3U2



T7 X1 Shunt trip - UVR

Undervoltage release - UVR

Will trip circuit breaker when connected voltage drops to 35-70% of the undervoltage release voltage rating. Will allow circuit breaker to close when voltage is approximately 85% of the rated voltage. T1-T6 mounts in the left hand cavity cannot be used with shunt trip on 2-3P breakers

Frame Size	Voltage	Factory Installation ①		Field Installation	
		Catalog number suffix	List price adder	Catalog number	List Price
T1-T3	480 - 500VAC	U1	\$ 535	KT3U1	\$ 490
	220-250VAC/DC	U2		KT3U2	
	380 - 440VAC	U3		KT3U3	
	110 - 125VAC/DC	U4		KT3U4	
	60VAC/DC	U5		KT3U5	
	48VAC/DC	U7		KT3U7	
	24 - 30VAC/DC	U8		KT3U8	
Ts3	480VAC	U1	535	KTS3U1	490
	240VAC	U2		KTS3U2	
	24VAC	U3		KTS3U3	
	120VAC	U4		KTS3U4	
	250VDC	U5		KTS3U5	
	125VDC	U6		KTS3U6	
	48VDC	U7		KTS3U7	
	24VDC	U8		KTS3U8	
T4, T5, T6	480-500VAC	U1	535	KT5U1	490
	220/250VAC/DC	U2		KT5U2	
	380-440VAC	U3		KT5U3	
	110-125VAC/DC	U4		KT5U4	
	60VAC/DC	U5		KT5U5	
	48VAC/DC	U7		KT5U7	
	24VAC/DC	U8		KT5U8	
T7	415-440VAC	U1	535	KT7XU1	490
	380-400VAC	U2		KT7XU2	
	240-250VAC/DC	U3		KT7XU3	
	220-240VAC/DC	U4		KT7XU4	
	120-127VAC/DC	U5		KT7XU5	
	110-120VAC/DC	U6		KT7XU6	
	60VAC/DC	U7		KT7XU7	
	48VAC/DC	U8		KT7XU8	
	30VAC/DC	U9		KT7XU9	
	24VAC/DC	U0		KT7XU0	

Undervoltage trip connector (REQUIRED for Ts3) ②

Ts3	Field Kit		KTS3C-SU KTS3C-SUP	\$ 45
	Fixed Mount ② Plug-In/Draw-out ②	Included when under voltage factory installed Included when under voltage factory installed		

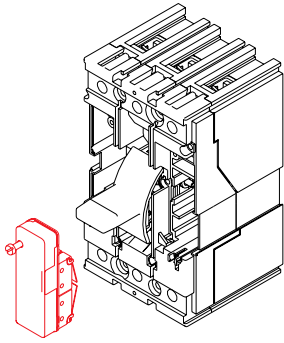
① For factory installation add suffix given to end of circuit breaker catalog number per accessory format.

② Must be ordered separately for field installation.

Accessories

Electrical

T1 - T7



T1 with K3TAS



KTS3AS

Auxiliary contacts - AUX ①

Auxiliary contacts are for indication of the circuit breaker open-closed. Bell alarm contacts (BA) can be used to indicate circuit breaker tripped.

Frame Size		Factory Installation ①		Field Installation	
		Catalog number suffix	List price adder	Catalog number	List Price
T1-T3 ②	1 Form C + 1BA	A	\$ 433	KT3AS	\$ 380
	3 Form C + 1BA	A3	770	KT3AS3	725
	3 Form C + 1BA 24VDC	A3AU	770	KT3AS3-AU	725
T2	T2 PR221DS 1 Form C + 1BA	A	433	KT2AS-E	380
Ts3	2 Form C	A	320	KTS3AS	275
	1 Form C+ 1 BA	BA	425	KTS3BA	380
T4,T5,T6	1 Form C + 1BA 250VAC/VDC	A	433	KT5AS	380
	3 Form C + 1BA 250VAC/VDC	A3	770	KT5AS3	725
	3 Form C + 1BA 24VDC	A3AU	770	KT5AS3-AU	725
T7	1 Form C + 1BA 400VAC/250VDC	A	433	KT7AS	380
	2 Form C 400VAC/250VDC	A2	640	KT7XAS2	583
	1 Form C + 1BA 24VDC	AAU	433	KT7AS-AU	380
	2 Form C 24VDC	A2AU	640	KT7XAS2-AU	583
Auxiliary contact connector (REQUIRED for Ts3) ③				Field Kit	
Ts3	Fixed Mount ③	Included		KTS3C-AB	\$ 45
	Plug-In /Drawout ③	Included		KTS3C-ABP	45

① For factory installation add suffix to end of breaker part number per accessory format

② Not compatible for T2 with PR221DS trip unit

③ Must be ordered separately for field installation

Accessories

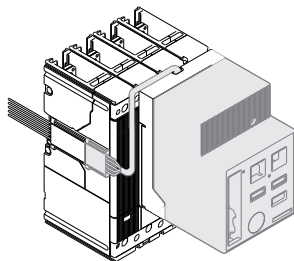
Motor operators

T1 - T7

Tmax
MCCBs



KT3M1



KTSM2



KTS3M2

Electrical operators

Allows remote opening and closing of circuit breaker

Frame size	Voltage	Catalog number	List price
------------	---------	----------------	------------

Solenoid operator

T1-T3	48 - 60VDC 110 - 250VAC/DC	KT3M1 KT3M2	\$ 850
-------	-------------------------------	----------------	--------

Direct action motor operator

Ts3	240VAC/250VDC 120VAC/125VDC 48VDC 24VDC	KTS3M2 KTS3M4 KTS3M7 KTS3M8	850
-----	--	--------------------------------------	-----

Motor operator connector (REQUIRED for Ts3) ①

Ts3	Fixed Mount ① Plug-In / Draw-out ②	KTS3C-M KTS3C-MP	45
-----	---------------------------------------	---------------------	----

Stored energy motor operator

T4,T5	220-250VAC/DC 110--125-VAC/DC 48-60VDC 24VDC	KT5M2 KT5M4 KT5M7 KT5M8	2385
-------	---	----------------------------------	------

Contact for remote/manual operation (stored energy operator)

T4,T5	-	KT5MA	220
-------	---	-------	-----

Stored energy motor operator

T6	220-250VAC/DC 110--125-VAC/DC 48-60VDC 24VDC 380VAC	KT6M2 KT6M4 KT6M7 KT6M8 KT6M3	4770
----	---	---	------

① Must be ordered separately for field installation

Accessories

Trip units

Frame Size		Catalog number	List Price
Rating plugs			
T7	400A Rating plug	KT7X0400RP	\$ 125
	600A Rating plug	KT7X0600RP	125
	800 Rating plug	KT7X0800RP	125
	1000A Rating plug	KT7X1000RP	125
	1200 Rating plug	KT7X1200RP	125
Modules for T7 PR33X electronic trip units			
T7	Voltage measuring module	PR330V-T7	1915
	Communication module (Modbus RTU)	PR330/D-M	4500
	Battery power supply unit	PR030/B	275
Neutral current transformers (required for 4 wire ground fault systems)			
T4	100A	KT4NCT-100	300
	150A	KT4NCT-150	
	250A	KT4NCT-250	
T5	300A	KT5NCT-300	300
	400A	KT5NCT-400	
T6	600A	KT6NCT-600	675
	800A	KT6NCT-800	
Test sets			
	Test and configuration Unit ①	PR010/T	12,500
	Trip Coil test-All Tmax elec. trip unit except PR33*	K7TUT	210

① Discount schedule EDX.

Technical data

Shunt trips/Undervoltages

Tmax
MCCBs

Standard shunt trip

Voltage	Inrush Power Consumption							
	T1,T2,T3		Ts3		T4,T5,T6		T7	
	AC(VA)	DC(W)	AC(VA)	DC(W)	AC(VA)	DC(W)	AC(VA)	DC(W)
12 VDC	-	50	-	120	-	150	-	-
24 V AC/DC	-	-	100	120	-	-	300	300
24...30 V AC/DC	50	50	-	-	150	150	-	-
30 V AC/DC	-	-	-	-	-	-	300	300
48 V AC/DC	-	-	-	120	-	-	300	300
48...60 V AC/DC	60	60	-	-	150	150	-	-
60 V AC/DC	-	-	-	-	-	-	300	300
100...120V AC/DC	-	-	100	-	-	-	300	300
120...127 V AC/DC	-	-	-	-	-	-	300	300
110...127VAC 110...125VDC	50	50	-	120	150	150	-	-
220...240 V AC/DC	-	-	-	-	-	-	300	300
220...240VAC 220...250VDC	50	50	100	120	150	150	-	-
240...250 V AC/DC	-	-	-	-	-	-	300	300
380...480VAC	-	-	-	-	-	-	300	-
380...440VAC	55	-	-	-	150	-	-	-
415...440VAC	-	-	-	-	-	-	300	-
480VAC	-	-	100	-	-	-	-	-
480...525VAC	55	-	-	-	150	-	-	-
Opening Time (ms)	15	15	≤15	≤15	15	15	20	20

Permanent supply shunt trip

Voltage	T4,T5,T6	
	AC(VA)	DC(W)
24 V AC/DC	4	4
100...120VAC	4	-

Undervoltage

Voltage	Power consumption during permanent operation							
	T1,T2,T3		Ts3		T4,T5,T6		T7	
	AC(VA)	DC(W)	AC(VA)	DC(W)	AC(VA)	DC(W)	AC(VA)	DC(W)
24 V AC/DC	-	-	6	3	-	-	3.5	3.5
24...30 V AC/DC	1.5	1.5	-	-	6	3	-	-
30 V AC/DC	-	-	-	-	-	-	3.5	3.5
48 V AC/DC	1	1	6	3	6	3	-	-
60 V AV/DC	1	1	-	-	6	3	-	-
110...120 V AC/DC	-	-	6	-	-	-	3.5	3.5
120...127 V AC/DC	-	-	-	-	-	-	3.5	3.5
110...127VAC 110...125VDC	2	2	-	-	6	3	-	-
220...240V AC/DC	-	-	-	-	-	-	3.5	3.5
220...240VAC 220...250VDC	2.5	2.5	-	3	6	3	-	-
220...250VAC	-	-	6	-	-	-	-	-
240...250 V AC/DC	-	-	-	-	-	-	3.5	3.5
380...400VAC	-	-	-	-	-	-	3.5	-
415...440VAC	3	-	-	-	6	-	-	-
480VAC	-	-	6	-	-	-	3.5	-
480...525VAC	4	-	-	-	6	-	-	-
Opening Time (ms)	15	15	≤18	≤18	≤25	≤25	≤25	≤25

15

Technical data

Electrical operators

Electrical operator, T1-T3

Rated Voltage		AC	DC
		-	48...60
		110...250	110...250
Operating Voltage		85...110% Un	
Inrush power absorption during operation		1800 (VA)	1000 (W)
Power on stand by		< 100 (mW)	
Time	opening (s)	< 0.1	
	closing (s)	< 0.1	
Minimum control impulse time on opening and closing (ms)		>100	

This unit is permanently supplied on stand by, a control is applied by means of external contact in a low power circuit.

Contact characteristics:

Voltage AC/DC=24V

Current 50 mA

Electrical operator, Ts3

Rated Voltage		AC	DC
		-	24
		-	48...60
		120	125
		240	250
		440	-
Operating Voltage		85...110 % Un	
Inrush power absorption		500 (VA)	500 (W)
Service power absorption		350 (VA)	350 (W)
Time constant (ms)		18	
Duration	opening (s)	0.1	
	closing (s)	0.1	
Minimum duration of the opening and closing command impulse (ms)		≥150	

Electrical operator, T4-T5

Voltage		AC	DC
		-	24
		-	48...60
		110...125	110...125
		220-250	220-250
		380	-
Operating Voltage		85...110%	
Inrush power consumption		≤ 300VA	≤ 300W
In service power consumption		≤150VA	≤150W
Duration	opening (s)	1.5	
	closing (s)	< 0.1	
	resetting (s)	3	
Minimum duration of the opening and closing command impulse (ms)		≥100	

Electrical operator, T6

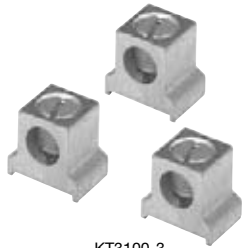
Voltage		AC	DC
		-	24
		-	48...60
		110-125	110-125
		220-250	220-250
		380	-
Operating Voltage		85...110%	
Inrush power consumption		≤ 400VA	≤ 400W
In service power consumption		≤150VA	≤150W
Duration	opening (s)	3	
	closing (s)	< 0.1	
	resetting (s)	5	
Minimum duration of the opening and closing command impulse (ms)		≥100	

Accessories

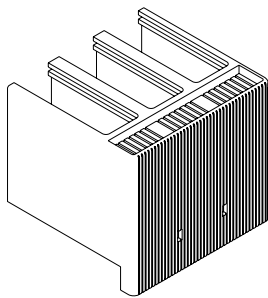
Mechanical

T1 - T7

Tmax
MCCBs



KT3100-3



KT1HTC-3



KT4LTC-3

Standard cable terminal

Frame	Wire Size	Catalog number (set of 2)	List Price	Catalog number (set of 3)	List Price	Catalog number (set of 4)	List Price
T1	14AWG-1/0	—	—	Integral	—	Integral	—
T2	14AWG-1/0	—	—	KT2100-3	\$ 9	KT2100-4	\$ 12
T3	14AWG - 1/0	—	—	KT3100-3	9	KT3100-4	12
	4AWG - 300kcmil	—	—	KT3225-3	18	KT3225-4	24
Ts3	14AWG-2AWG	KTS3060-2	\$ 19	KTS3060-3	27	KTS3060-4	36
	14AWG-1/0	KTS3100-2	19	KTS3100-3	27	KTS3100-4	36
	2AWG-4/0	KTS3150-2	26	KTS3150-3	36	KTS3150-4	54
	4AWG-300kcmil	KTS3225-2	26	KTS3225-3	36	KTS3225-4	72
T4	14AWG-1/0	KT4100-2	18	KT4100-3	9	KT4100-4	12
	6AWG-350kcmil	KT4250-2	60	KT4250-3	30	KT4250-4	40
T5	250kcmil-500kcmil	KT5300-2	90	KT5300-3	45	KT5300-4	60
T5 ①	(2) 3/0-250kcmil	KT5400-2	90	KT5400-3	45	KT5400-4	60
T5 ②	(2) 3/0-500kcmil	—	—	KT5600-3	225	—	—
T6	(2) 250-500kcmil	—	—	KT6600-3	270	KT6600-4	360
T6 ①	(3) 2/0-400kcmil	—	—	KT6800-3	350	KT6800-4	470
T7 ①	(4) 4/0-500kcmil	—	—	KT7X1200-3	560	KT7X1200-4	747

Standard cable lug kits with power control taps

Frame	Wire Size	Catalog number (set of 2)	List Price	Catalog number (set of 3)	List Price	Catalog number (set of 4)	List Price
T3	14AWG - 1/0	—	—	KT3100-3C	\$ 16	KT3100-4C	\$ 19
	4AWG - 300kcmil	—	—	KT3225-3C	18	KT3225-4C	31
Ts3	14AWG-1/0	KTS3100-2C	\$ 34	KTS3100-3C	48	KTS3100-4C	57
	2AWG-4/0	KTS3150-2C	34	KTS3150-3C	48	KTS3150-4C	57
	4AWG-300kcmil	KTS3225-2C	53	KTS3225-3C	75	KTS3225-4C	93
T4	14AWG-1/0	KT4100-2C	30	KT4100-3C	15	KT4100-4C	15
	6AWG-350kcmil	KT4250-2C	72	KT4250-3C	36	KT4250-4C	48
T5	250kcmil-500kcmil	KT5300-2C	102	KT5300-3C	51	KT5300-4C	68
T5 ①	(2) 3/0-250kcmil	KT5400-2C	102	KT5400-3C	51	KT5400-4C	68
T6	(2) 250-500 kcmil	—	—	KT6600-3C	310	KT6600-4C	414
T6 ②	(3) 2/0-400kcmil	—	—	KT6800-3C	403	KT6800-4C	541

Terminal covers for fixed breakers - Low profile-kit includes two pieces

Frame	Catalog number (3 pole)	List Price	Catalog number (4 pole)	List Price
T1	KT1LTC-3	\$ 35	KT1LTC-4	\$ 47
T2	KT2LTC-3	40	KT2LTC-4	54
T3	KT3LTC-3	50	KT3LTC-4	68
Ts3	KTS3LTC-3	50	KTS3LTC-4	68
T4	KT4LTC-3	55	KT4LTC-4	74
T5	KT5LTC-3	60	KT5LTC-4	81
T6	KT6LTC-3	66	KT6LTC-4	88
T7 ③	KT7LTC-3	70	KT7LTC-4	93

Terminal covers for fixed breakers - High profile-kit includes two pieces

Frame	Catalog number (3 pole)	List Price	Catalog number (4 pole)	List price
T1	KT1HTC-3	\$ 37	KT1HTC-4	\$ 50
T2	KT2HTC-3	43	KT2HTC-4	58
T3	KT3HTC-3	53	KT3HTC-4	72
Ts3	KTS3HTC-3	53	KTS3HTC-4	72
T4	KT4HTC-3	58	KT4HTC-4	78
T5	KT5HTC-3	63	KT5HTC-4	85
T6	KT6HTC-3	66	KT6HTC-4	88
T7	KT7XHTC-3	77	KT7XHTC-4	104

① Comes standard with high profile terminal covers.

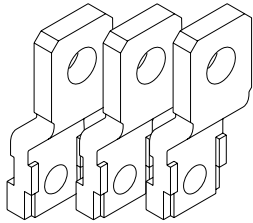
② Uses front extended spreaded terminals-refer to technical catalog.

③ Fixed breaker only.

Accessories

Mechanical

T1 - T7



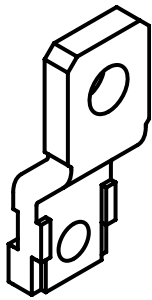
KT2EF-3

Phase barriers - Low profile 100mm-3.93 in

Frame	4 pcs (3p)	List Price	6 pcs (4p)	List Price
T1-T3	KT3PBL-3	\$ 28	KT3PBL-4	\$ 42
Ts3	KTS3PBL-3	28	KTS3PBL-6	42
T4-T5	KT5PBL-3	28	KT5PBL-4	42
T6	KT6PBL-3	38	KT6PBL-4	51
T7	KT7PBL-3	38	KT7PBL-4	51

Phase barriers - High profile 200mm-7.87 in

Frame	4 pcs (3p)	List Price	6 pcs (4p)	List Price
T1-T3	KT3PBH-3	\$ 42	KT3PBH-4	\$ 63
T4-T5	KT5PBH-3	42	KT5PBH-4	63
T6	KT6PBH-3	57	KT6PBH-4	76
T7	KT7PBH-3	57	KT7PBH-4	76



KT4EF-

Saddle terminals for Copper Cables - IEC

Frame	Catalog number (Set of 3)	List Price	Catalog number (Set of 4)	List Price
T2	KT2100S-3	\$ 34	KT2100S-4	\$ 46
T3	KT3225S-3	52	KT3225S-4	70
Ts3	KTS3225-3	52	KTS3225-4	70
T4	KT4250S-3	108	KT4250S-4	144
T5	KT5300S-3	270	KT5300S-4	360

Extended front terminals

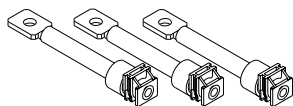
Frame	Catalog number (set of 3)	List Price	Catalog number (set of 4)	List Price
T2	KT2EF-3	\$ 26	KT2EF-4	\$ 35
T3	KT3EF-3	33	KT3EF-4	44
Ts3	KTS3EF-3	44	KTS3EF-4	59
T4	KT4EF-3	55	KT4EF-4	73
T5	KT5EF-3	115	KT5EF-4	155

Rear terminals ①

Frame	Catalog number (set of 3)	List Price	Catalog number (set of 4)	List Price
T2	KT2R-3	\$ 78	KT2R-4	\$ 105
T3	KT3R-3	98	KT3R-4	131
T4	KT4R-3	122	KT4R-4	163
T5	KT5R-3	122	KT5R-4	163
T7	KT7R-3	165	KT7R-4	220

Distribution cable lug kit ②

Frame	Wire Size	Catalog number (set of 3)	List Price	Catalog number (set of 4)	List Price
T3	(6) #14-6	KT3TN	\$ 125	KT3TN-4	\$ 167
Ts3	(6) #14-6	KTS3TN		KTS3TN-4	
T4	(6) #14-6	KT4TN	125	KT4TN-4	167
T5	(6) #14-1/0	KT5TGD	320	KT5TGD-4	320



KT2R-3

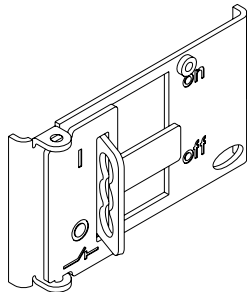
① Includes low profile terminal cover
② Includes high profile terminal cover

Accessories

Mechanical, T1 - T7

Locking devices and handle operators

Tmax
MCCBs



KT3LD

Padlock locking device

Frame	Style	Locking Position	Breaker Mounting	Catalog number	List Price
T1,T2,T3	PLL	OPEN/CLOSED OPEN	Fixed	KT3LD KT3LDO	\$ 35
Ts3	FLD	OPEN	Fixed, Plug-In Draw-Out	KTS3FLD KTS3LDW	50 55
T4-T5	FLD	OPEN	Fixed, Plug-In Draw-out	KT5FLD KT5FLDW	40 55
T6	FLD	OPEN	Fixed, Plug-In Draw-out	KT6FLD KT6FLDW	40 55
T7	PLL	OPEN	Fixed, Drawout	KT7LD	55

Keylocks-Rotary handle mechanism

Frame	Style	Locking Position	Keys	Catalog number	List Price
T1,T2,T3	RHL	OPEN/CLOSED	Different	KT3RHL3	\$ 94
Ts3	-	OPEN	Different	KTS3KL-2	58
T4-T5	KLF-D	OPEN	Different	KT5KLF-D	58
T6	KLF-D	OPEN	Different	KT6KLF-D	79
T7	KLF-D	OPEN	Different	KT7KLF-D	79



KT5RH

Direct mount rotary operator handle

Frame	Breaker Mounting	Catalog number	List Price
T1,T2,T3	Fixed, Plug-In	KT3RH	\$ 146
Ts3	Fixed, Plug-In	KTS3RH	146
Ts3	Draw-out	KTS3RHW	146
T5	Fixed, Plug-In	KT5RH	275
T5	Draw-Out	KT5RHW	275
T6	Fixed, Plug-In	KT6RH	310
T6	Draw-out	KT6RHW	310
T7	Fixed, Plug-In	KT7RH	348
T7	Draw-out	KT7RHW	348

Variable depth handle operators

Frame	NEMA rating	Mechanism catalog number	List Price	Shaft catalog number	List Price	Handle catalog number	List Price
T1-T3	1,3R,12	-	-	-	-	OHB65J6 ① OHY65J6 ①	\$ 80
	4, 4X	KT3VD-M	\$ 72	OXPP6X430 (16.9)	\$ 28	OHB80L6 ① OHY80L6 ①	130
	1	-	-	KT3VD-S (11.8)	35	KT3VD-H	87
Ts3	1,3R,12	-	-	OXPP10X148 (5.8")	24	OHB95J10 ① OHY95J10	80
	4,4X	KTS3VD-M	72	OXPP10X225 (8.9")	26	OHB95L10 ① OHY95L10	120
	-	-	-	OXPP10X500 (19.7")	32	-	-
	1	-	-	KTS3VD-S12 (11.8) KTS3VD-S20 (20")	24 28	KT3VD-H	87
T4-T5	1,3R,12	-	-	OXPP10X148 (5.8")	24	OHB95J10 ① OHY95J10	80
	4,4X	KT5VD-M	65	OXPP10X225 (8.9")	26	OHB95L10 ① OHY95L10	120
	-	-	-	OXPP10X500 (19.7")	32	-	-
	1	-	-	KT5VD-S (19.7")	36	KT5VD-H	87
T6	1,3R,12	-	-	OXPP10X148 (5.8")	24	OHB125J10 ① OHY125J10	90
	4,4X	KT6VD-M	90	OXPP10X225 (8.9")	26	OHB125L10 ① OHY125L10	130
	-	-	-	OXPP10X500 (19.7")	32	-	-
T7	1	-	-	KT5VD-S (19.7")	36	KT6VD-H	87
	1,3R,12	-	-	OXPP10X148 (5.8")	24	OHB175J10 ① OHY175J10	100
	-	KT7VD-M	95	OXPP10X225 (8.9")	26	OHB175L10 ① OHY175L10	140
T7	-	-	-	OXPP10X500 (19.7")	32	-	-
	1	-	-	KT7VD-S (19.7")	100	KT7VD-H	100



OHB65J6



OHB125J10

① Discount schedule

Accessories Mechanical, T1 - T7



KT2PFF + KT2PMK (on back of breaker) + breaker



KT4PMK (on back of breaker)



KT4PFVR

Plug-in kits ①

Frame	Catalog number Adapter moving part	List Price	Catalog number fixed part	List Price
T2 - 3 pole with front terminals	KT2PMK	\$ 171	KT2PFF	\$ 238
T3 - 3 pole with front terminals	KT3PMK	190	KT3PFF	264
T2-T3 Fixed parts accept the same cable and rear terminal kits as the circuit breakers				
Ts3 3 pole with front terminals	KTS3PMK	190	KTS3PFF ②	264
Ts3 3 pole with rear terminals			KTS3PFR ②	264
T4 3 pole with extended front terminal	KT4PMK	250	KT4PFEF	710
T4 3 pole with rear horizontal terminals			KT4PFHR	766
T4 3 pole with rear vertical terminals			KT4PFVR	766

400A Max

T5 3 pole with extended front terminal	KT5PMK	350	KT5PFEF	810
T5 3 pole with rear horizontal terminal			KT5PFHR	866
T5 3 pole with rear vertical terminal			KT5PFVR	866

T5 600A

T5 3 pole with extended front terminal	KT56PMK	501	KT56PFEF ②	1158
T5 3 pole with rear horizontal terminal			KT56PFHR ②	1238
T5 3 pole with rear vertical terminal			KT56PFVR	1238

Plug connectors, T1-T3

Required when adding accessories to plug-in breakers

Plug Connector	Catalog number	List price
Shunt trip or UVR	KT3PC-3	\$ 18
1 form C plus 1 BA	KT3PC-6	21
3 form C plus 1 BA	KT3PC-12	24

Adaptors, T4-T6

Required when adding accessories to plug-in or drawout breakers

Adaptors	Catalog number	List price
1 form C plus 1 BA	KT5ADP-6	\$ 24
Shunt trip/UVR	KT5ADP-6	24
Stored energy operator	KT5ADP-10	30
Stored energy operator plus shunt trip/UVR	KT5ADP-10	30
3 form C plus 1BA	KT5ADP-12	35

① Plug connectors (T2-T3), Adaptors (T4-T6), required when adding accessories to plug-in breakers.

② IEC

Accessories

T1 - T7

Tmax
MCCBs

Draw-out kits ①

Item	Catalog number Adaptor moving part	List Price	Catalog Number Fixed part	List Price
Ts3 3 pole with front terminals	KTS3WMK	\$ 265	KTS3WFF ③	\$ 735
Ts3 3 pole with rear terminals			KTS3WFR ③	920
T4 3 pole with extended front terminal	KT4WMK	290	KT4WFEF	816
T4 3 pole with rear horizontal terminals			KT4WFHR	1021
T4 3 pole with rear vertical terminals			KT4WFVR	1021
400 Max				
T5 3 pole with extended front terminal	KT5WMK	407	KT5WFEF	931
T5 3 pole with rear horizontal terminal			KT5WFHR	1154
T5 3 pole with rear vertical terminal			KT5WFVR	1154
T5 600A				
T5 3 pole with extended front terminal	KT56WMK	582	KT56WFEF	1331
T5 3 pole with rear horizontal terminal			KT56WFHR	1650
T5 3 pole with rear vertical terminal			KT56WFVR	1650
T6 3 pole with extended front terminal	KT6WMK	670	KT6WFEF ③	1504
T6 3 pole with rear horizontal terminal			KT6WFHR ③	1865
T6 3 pole with rear vertical terminal			KT6WFVR	2144
T7 3P with horizontal/vertical terminals	KT7XWMK	755	KT7WFHR ②	



Adaptors, T4-T6

Required when adding accessories to plug-in or drawout breakers

Adaptors	Catalog number	List price
1 form C plus 1 BA	KT5ADP-6	\$ 24
Shunt trip/UVR	KT5ADP-6	24
Stored energy operator	KT5ADP-10	30
Stored energy operator plus shunt trip/UVR	KT5ADP-10	30
3 form C plus 1BA	KT5ADP-12	35

Sliding contact blocks, T7-Draw-out

Item	Moving Part Breaker	List Price	Fixed Part Cradle	List Price
Left Block				
Spring charging motor	KT7XSCMP-L	\$ 130	KT7XSCFP-L	\$ 185
Spring charged contact				
Ready to close contact				
Early auxiliary contact				
Contact for trip coil release trip				
Trip rest				
Center Block				
PR331	KT7XSCMP-C	130	KT7XSCFP-C	185
PR332				
Right Block				
Auxiliary contacts	KT7XSCMP-R	130	KT7XSCFP-R	185
Shunt trip				
Closing Coil				
Undervoltage release				

If at least one of the accessories in table is installed on the breaker - respective pair of contact blocks must be installed on the fixed part (cradle) and the moving part. (breaker)

① Adaptors (T4-T6), Sliding contact blocks (T7) required when adding accessories to draw-out breakers.

② Comes standard with horizontal terminals field convertible to vertical

③ IEC

Accessories

T1 - T7



KT3MIF2

DIN rail adapters

Item	Catalog Number	List Price
T1/T2 (mounts on 35 mm DIN rail 15mm high)	KT2DIN	\$ 33
T3 (mounts on 35mm DIN rail 15mm high)	KT3DIN	41
Ts3 (mounts on 75 mm DIN rail)	KTS3DMB	41

Mechanical interlocks

Item	Catalog Number	List Price
T1-T3		
Sliding bar interlock-front mounted (2 Breakers)	KT3MIF2	\$ 625
Sliding bar interlock-front mounted (3 Breakers)	KT3MIF3	844
T3		
Rear Interlock-horizontal	KT3MI-H	700
Rear Interlock-vertical	KT3MI-V	798
TS3		
Horizontal	KTS3MI-H	700
Vertical	KTS3MI-V	798
T4-T5 ①		
Interlock frame		
Mechanical Interlock frame-horizontal	KT5MIR-HB	490
Mechanical Interlock frame-vertical	KT5MIR-VB	588
Plate type		
A T4 (F-P-W) T4 (F-P-W)	KT5MIR-PA	210
B T4 (F-P-W) T5 400 (F-P-W) OR T5 600 (F)	KT5MIR-PB	
C T4 (F-P-W) T5 600 (P-W)	KT5MIR-PC	
D T5 (F-P-W) T5 400 (F-P-W) OR 630 (F)	KT5MIR-PD	
E T4 (F-P-W) T5 600 (P-W)	KT5MIR-PE	
F T4 (F-P-W) T5 600 (P-W)	KT5MIR-PF	
T6		
Horizontal	KT6MI-H	620
Vertical	KT6MI-V	620
T7 ②		
Cable T7-X1	KT7XMLC	195
Mech. interlock plate-fixed	KT7XMLPW	310
Mech. interlock plate-draw-out	KT7XMLPF	610

① T4-T5 Complete assembly consists of one interlock frame and one plate.

② T7 Complete assembly consists of one cable and two plates.

Enclosures Type 1 & 3R/12

Tmax
MCCBs



T3E-1



T4E-3R12

Enclosures (Price does not include circuit breaker; order as a separate item.)

NEMA designation	Breaker type	Enclosure maximum rating		Approximate dimensions ^① H x W x D (inches)	Catalog number	List price
		AL cables	CU cables			
Type 1	T1	100A	100A	15 x 8.5 x 4	T1E-1	\$ 267
	T2	100A	100A	15 x 8.5 x 4	T2E-1	267
	T3	175A	225A	20 x 11 x 4	T3E-1	315
	T4	200A	250A	26 x 15 x 6.25	T4E-1	407
	T5	325A	400A	26 x 15 x 6.25	T5E-1	435
Type 3R/12	T1	100A	100A	15 x 8.5 x 7	T1E-3R12	407
	T2	100A	100A	15 x 8.5 x 7	T2E-3R12	407
	T3	175A	225A	20 x 11 x 7	T3E-3R12	527
	T4	200A	250A	26 x 15 x 9	T4E-3R12	625
	T5	325A	400A	26 x 15 x 9	T5E-3R12	767

Neutral kits

Breaker type	Neutral cable capacity and wire range	Neutral kit catalog number	List price
T1 – T2	Neutral #14-1/0 Bonding Lug #14-1/0	T2NK125	\$ 140
T3	Neutral #6-250 kcmil Bonding Lug #14-1/0	T3NK225	150
T4	Neutral #6-250 kcmil Bonding Lug #14-1/0 kcmil	T4NK250	200
T5	Neutral (2) #6-250 kcmil Bonding Lug #14-1/0 kcmil	T5NK400	295

NOTE: The list price adder for factory installation of an enclosed circuit breaker is 50% of the enclosure list price.

Description

Type 1

- General purpose indoor enclosure intended for use in normal environments to provide a degree of protection against contact with enclosed equipment.
- Sheet steel, surface mount.
- Breaker is front-operable and can be padlocked via a separately ordered padlock device.
- Available through 400A, 600VAC
- (SUSE) suitable for use as service equipment.

Type 3R/12

- Type 3R is intended for outdoor use providing protection against rain, sleet or snow.
- Type 12 is for use in indoor atmospheres to provide a degree of protection against circulating dust, lint, sawdust, falling dirt and dripping non-corrosive liquids.
- Surface-mounted, sheet steel enclosure.
- Breaker can be operated via **separately ordered** handle mechanism; door is interlocked with mechanism.
- Available through 400A, 600VAC.
- (SUSE) suitable for use as service equipment.

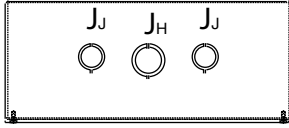
① Padlocking provision must be ordered separately.
 ② Must order KT5FLD (padlock device) separately.
 ③ Variable depth rotary handle must be ordered separately.
 ④ Consult ABB for breakers installed in enclosures.

Enclosures

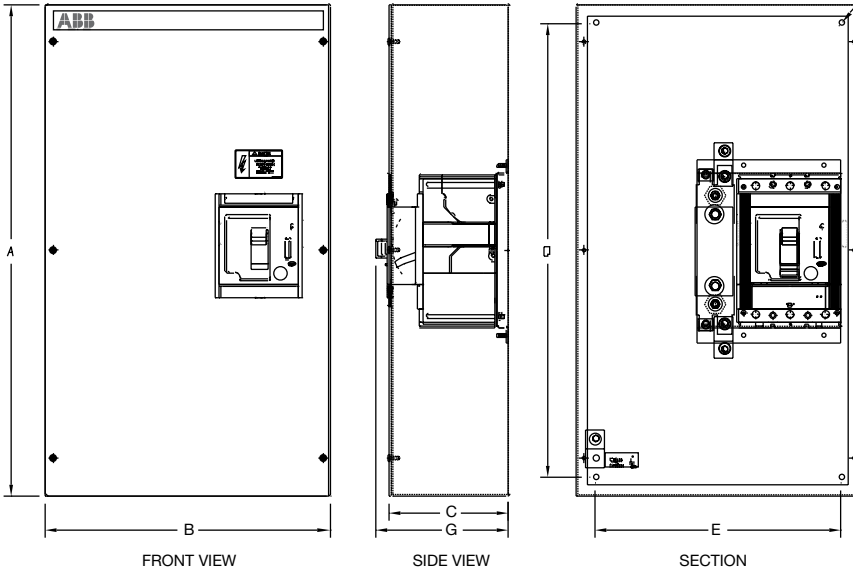
Approximate dimensions, T1 – T5

NEMA 1, 3R & 12

NEMA 1



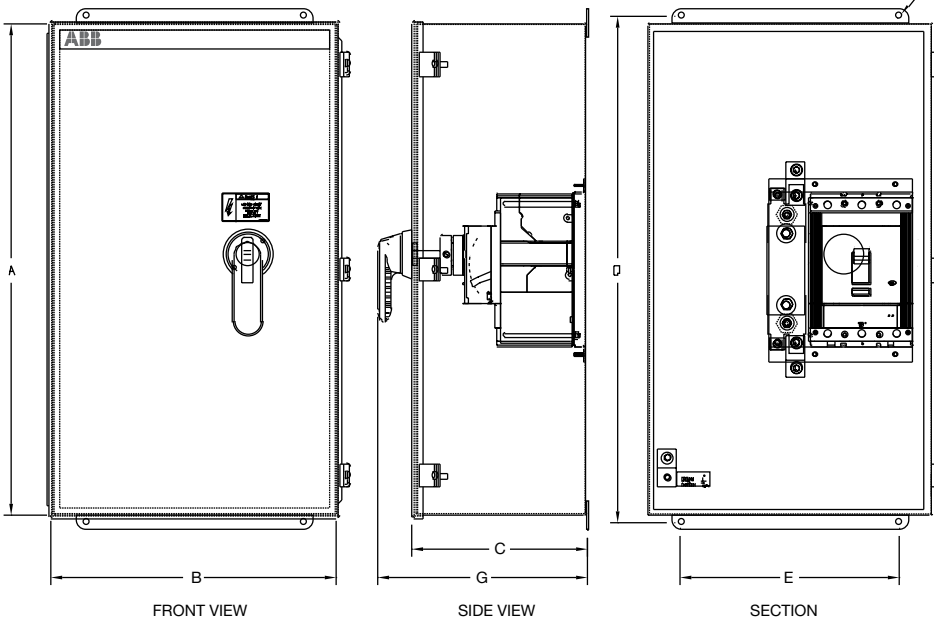
SHOWN WITH BREAKER, PADLOCK DEVICE AND NEUTRAL KIT ORDERED SEPARATELY



Cat. #	A	B	C	D	E	F	G	H	J
T1E-1	15.00 381	8.50 216	4.00 102	13.00 330	6.50 165	0.281 7	4.93 125	1, 1-1/4 25, 32	3/4, 1 19, 25
T2E-1	15.00 381	8.50 216	4.00 102	13.00 330	6.50 165	0.281 7	4.93 125	1, 1-1/4 25, 32	3/4, 1 19, 25
T3E-1	20.00 508	11.00 279	4.00 102	18.00 457	9.00 229	0.281 7	4.93 125	1, 1-1/4 25, 32	3/4, 1 19, 25
T4E-1	26.00 660	15.00 381	6.25 159	24.00 610	13.00 330	0.281 7	7.01 178	1, 1-1/4 25, 32	3/4, 1 19, 25
T5E-1	26.00 660	15.00 381	6.25 159	24.00 610	13.00 330	0.281 7	7.01 178	1, 1-1/4 25, 32	3/4, 1 19, 25

NEMA 3R, 12

SHOWN WITH BREAKER, VARI-DEPTH MECHANISM, HANDLE, SHAFT AND NEUTRAL KIT, ORDERED SEPARATELY

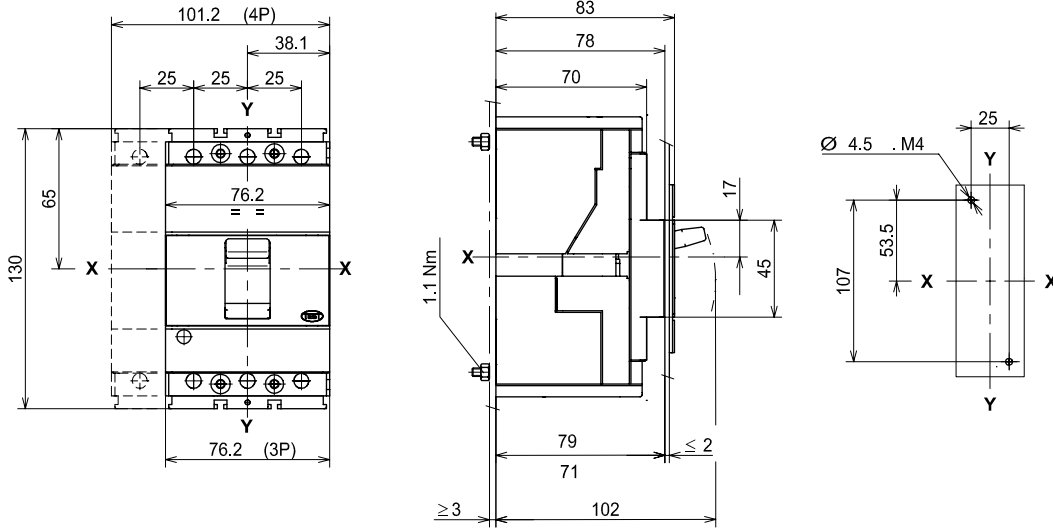


Cat. #	A	B	C	D	E	F	G
T1E-3R12	15.00 381	8.50 216	7.00 178	15.75 400	5.00 127	0.313 8	9.06 230
T2E-3R12	15.00 381	8.50 216	7.00 178	15.75 400	5.00 127	0.313 8	9.06 230
T3E-3R12	20.00 508	11.00 279	7.00 178	20.75 527	7.50 191	0.313 8	9.06 230
T4E-3R12	26.00 660	15.00 381	9.00 229	26.75 679	11.50 292	0.313 8	11.06 281
T5E-3R12	26.00 660	15.00 381	9.00 229	26.75 679	11.50 292	0.313 8	11.06 281

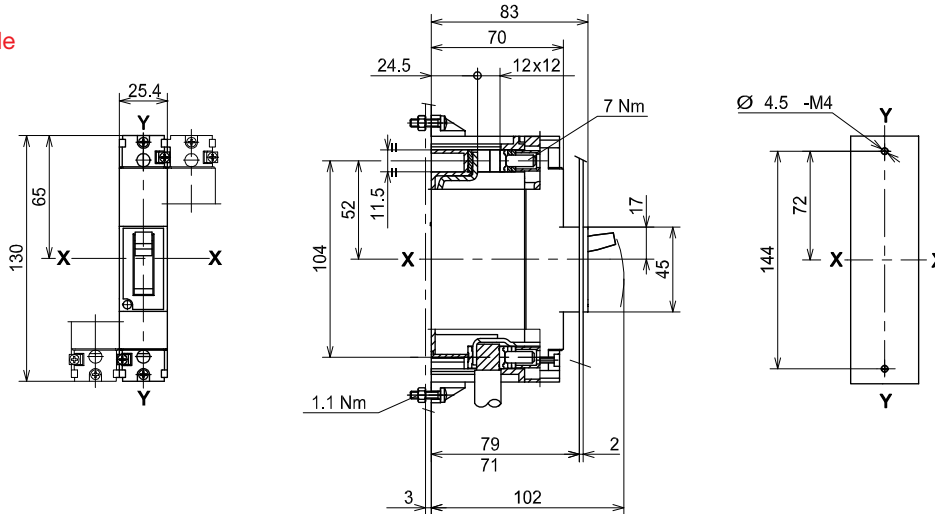
Approximate dimensions T1 & T2

Tmax
MCCBs

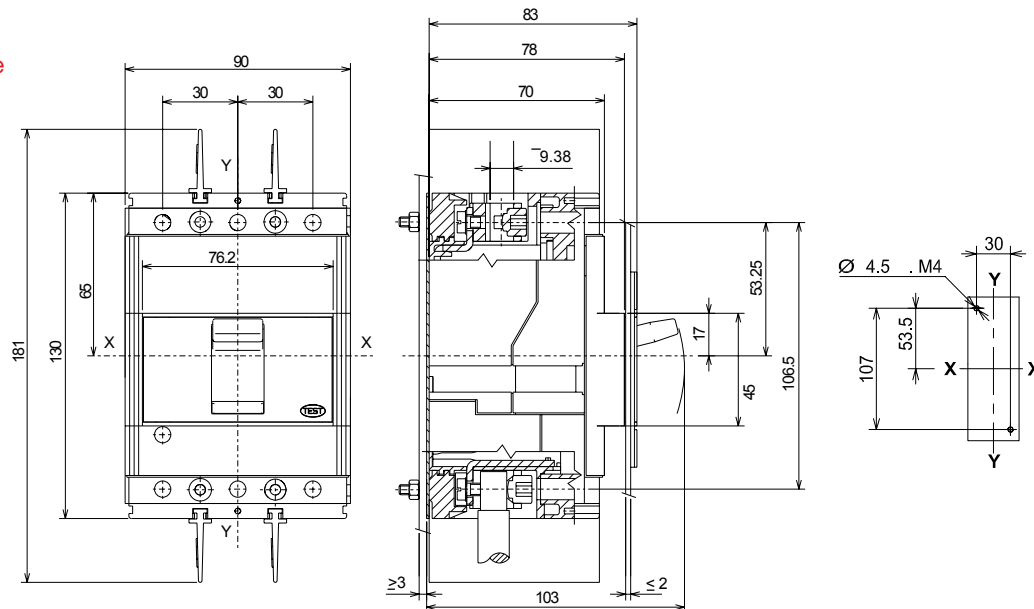
T1 – 3 pole



T1 – Single pole

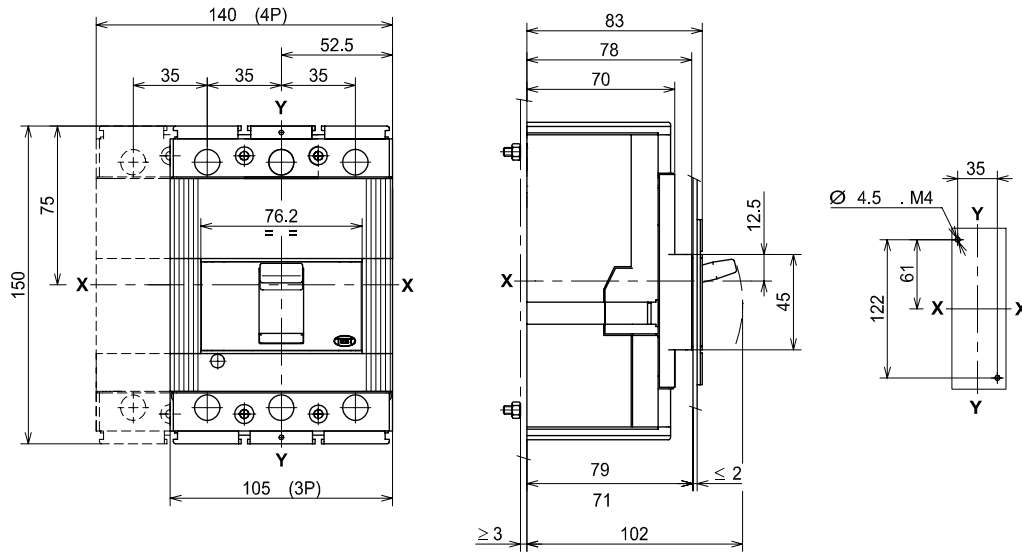


T2 – 2 & 3 pole

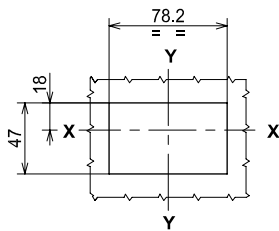


Approximate dimensions T3

T3 — 2 & 3 pole

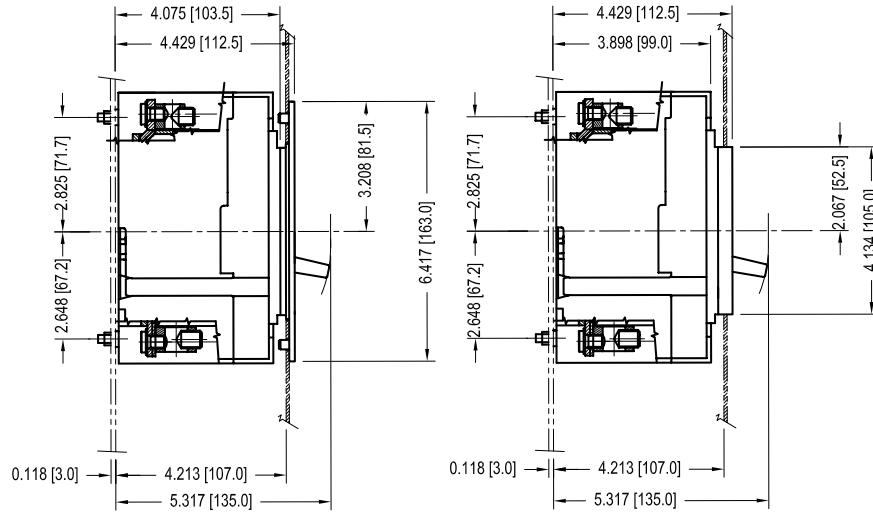


Door cut-out for Tmax without faceplate



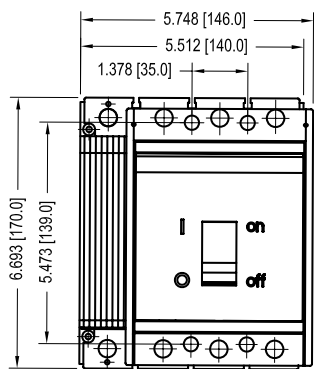
Approximate dimensions Ts3

Tmax
MCCBs

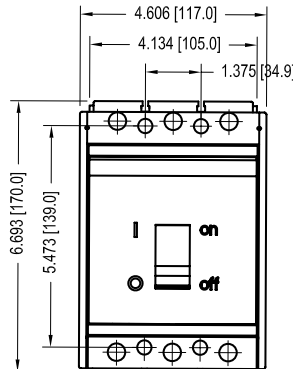


T3S 3 & 4 POLE
SIDE VIEW
WITH FLANGE

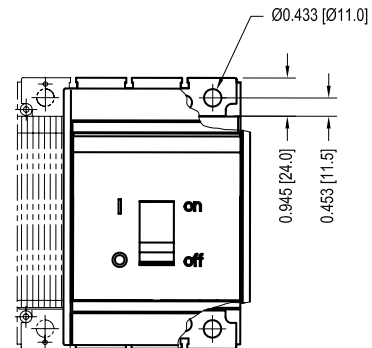
T3S 3 & 4 POLE
SIDE VIEW
WITHOUT FLANGE



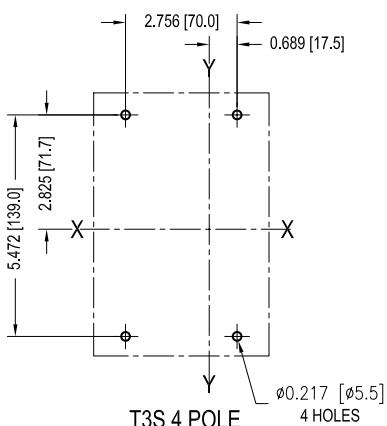
T3S 4 POLE
FRONT VIEW



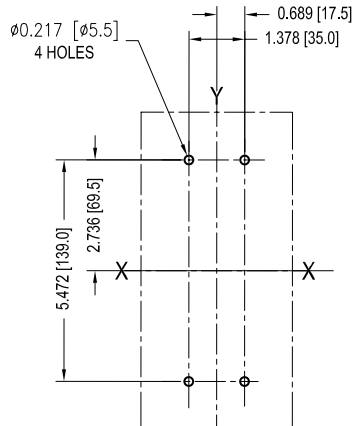
T3S 3 POLE
FRONT VIEW



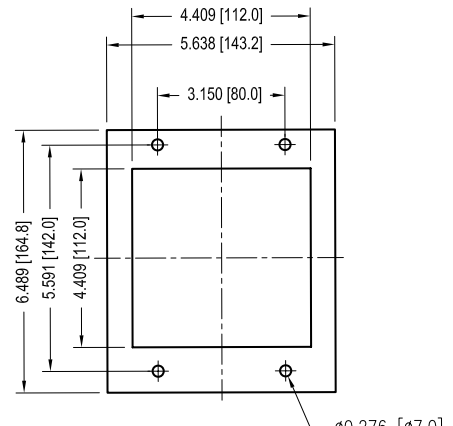
T3S 3 & 4 POLE
FRONT CONNECTION
FRONT VIEW



T3S 4 POLE
DRILLING
FRONT VIEW



T3S 3 POLE
DRILLING
FRONT VIEW



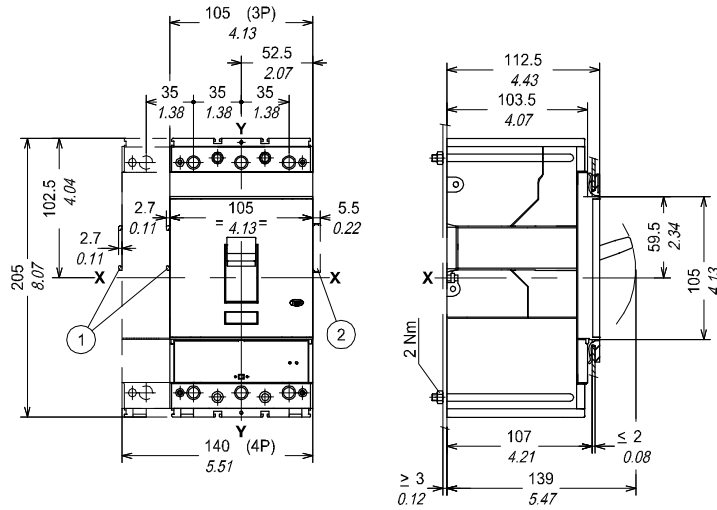
T3S 3 POLE
HANDLE DOOR
CUT-OUT

Approximate dimensions T4

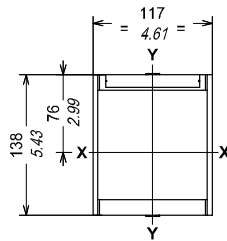
Fixed circuit breaker

Caption

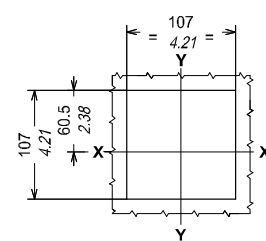
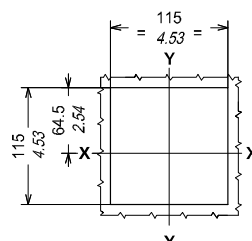
- ① Overall dimensions with cabled accessories mounted (SOR-C, UVR-C, RC221-222)
- ② Overall dimensions with cabled auxiliary contacts mounted (only 3Q 1SY)



Flange for compartment door



Drilling templates of the compartment door

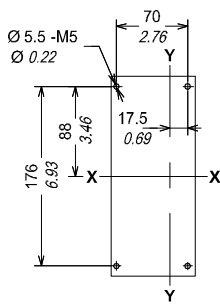
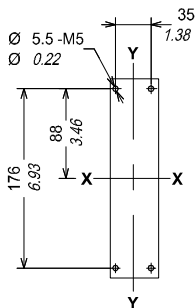


3-4 POLES
With flange

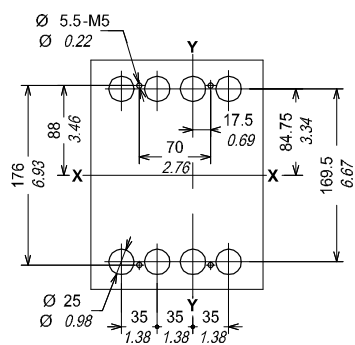
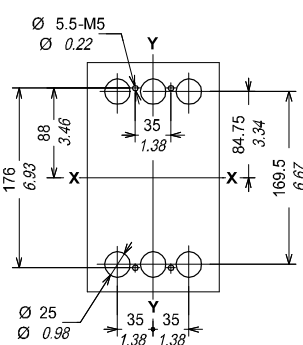
3-4 POLES
Without flange

Drilling templates for support sheet

For front terminals



For rear terminals



3 POLES

4 POLES

Approximate dimensions T5

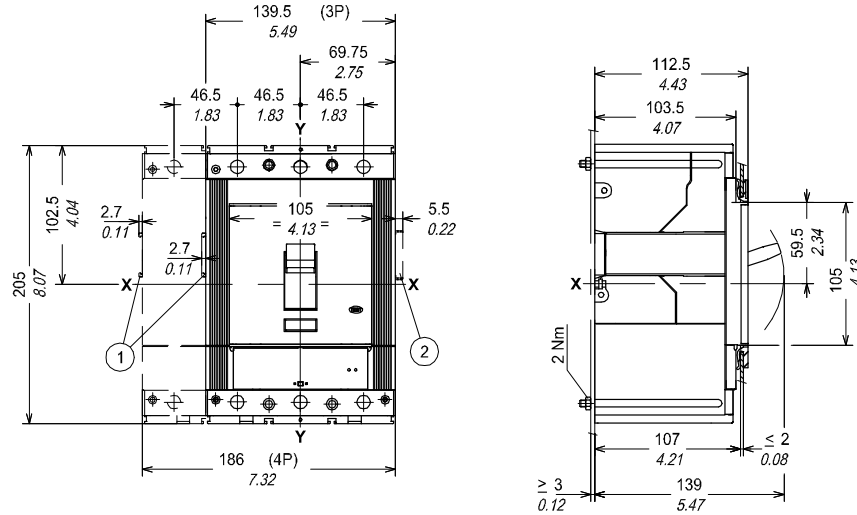
Tmax
MCCBs

Fixed circuit breaker

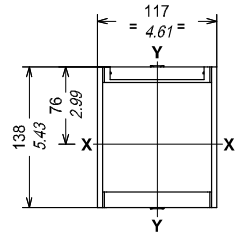
Fixing on sheet

Caption

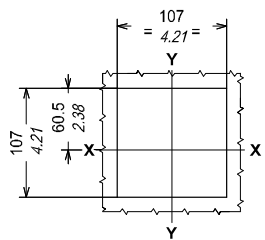
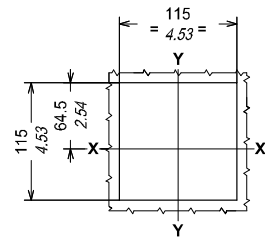
- ① Overall dimensions with cabled accessories mounted (SOR-C, UVR-C, RC221-222)
- ② Overall dimensions with cabled auxiliary contacts mounted (only 3Q 1SY)



Flange for compartment door



Drilling templates of the compartment door

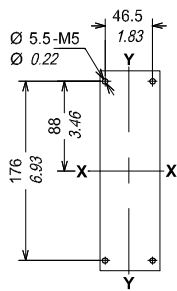


With flange (3-4 POLES)

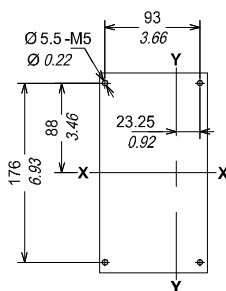
Without flange (3-4 POLES)

Drilling templates for support sheet

For front terminals

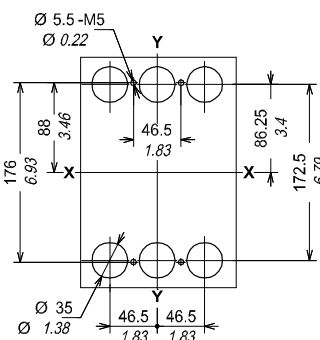


3 POLES

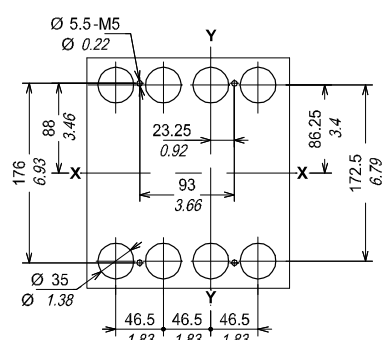


4 POLES

For rear terminals

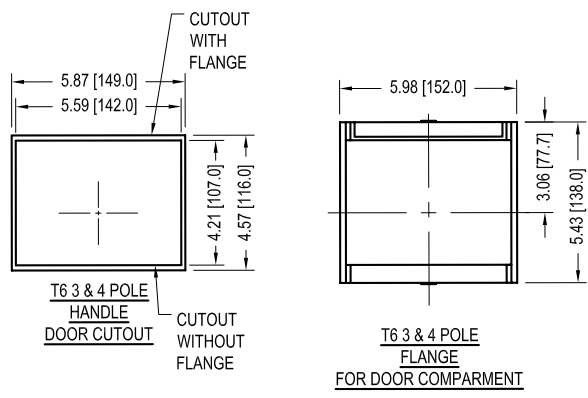
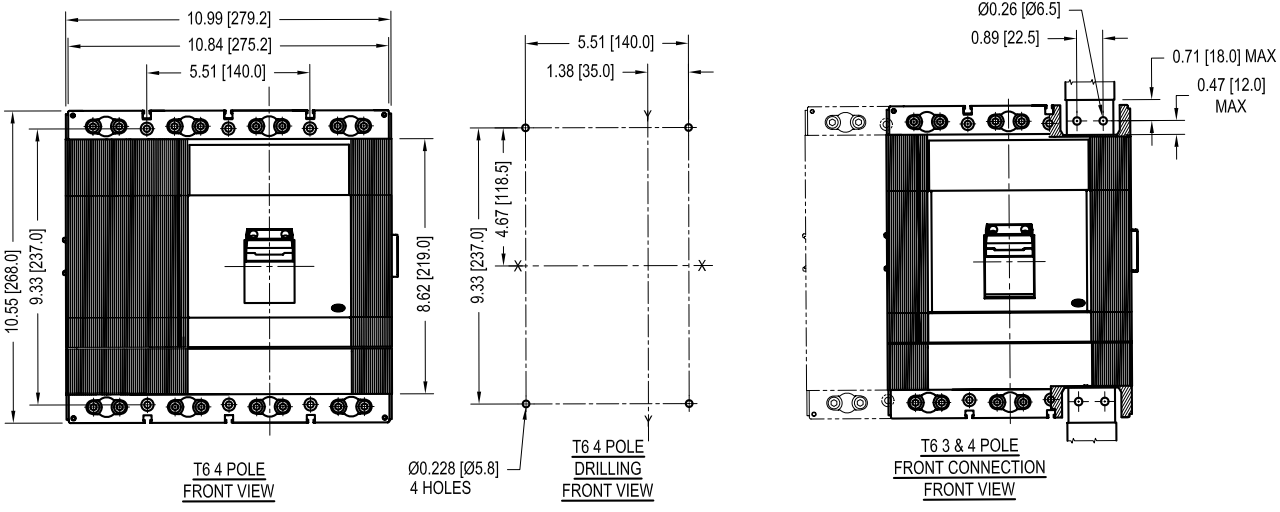
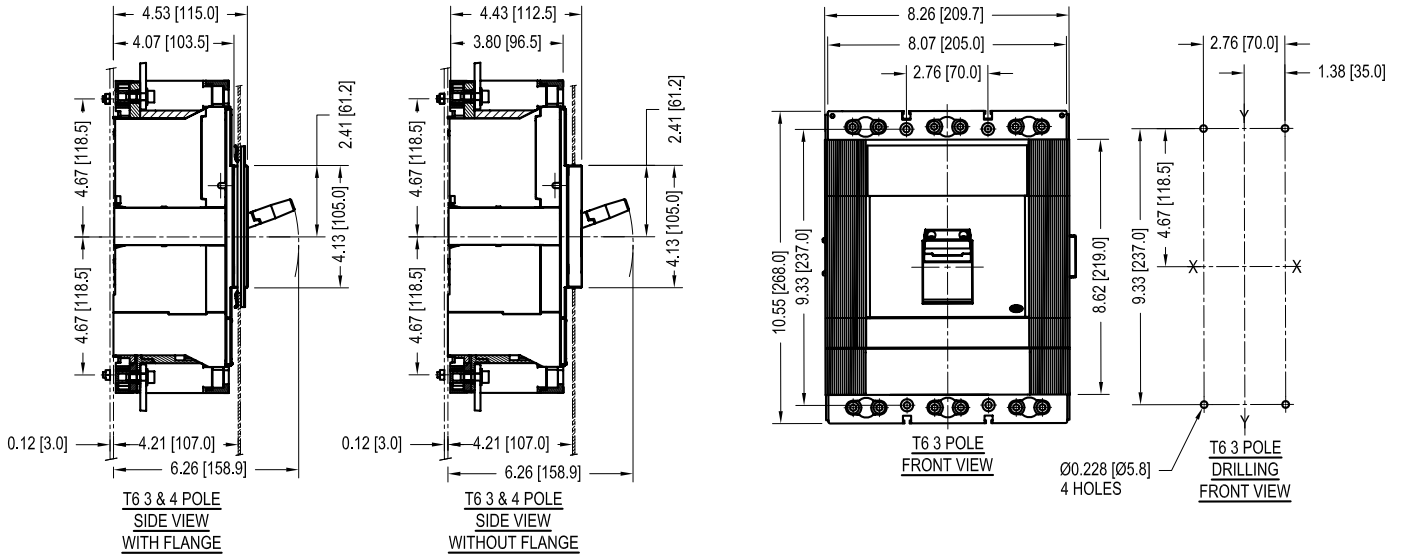


3 POLES



4 POLES

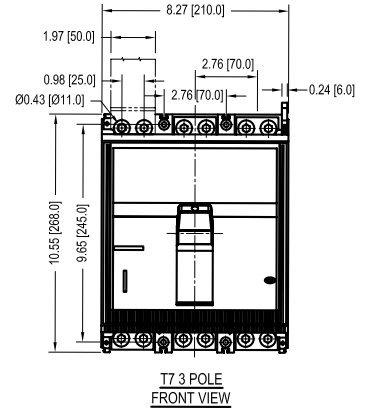
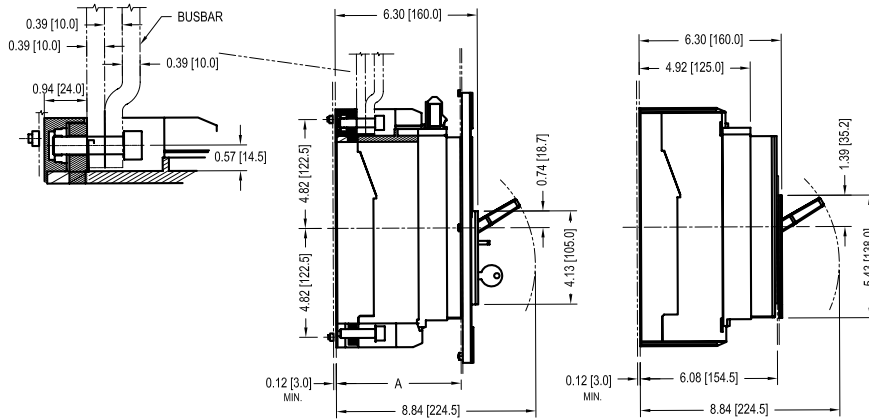
Approximate dimensions T6



15

Approximate dimensions T7

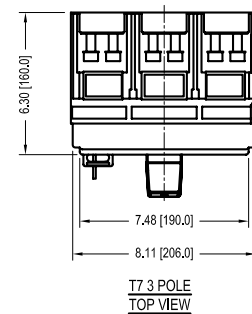
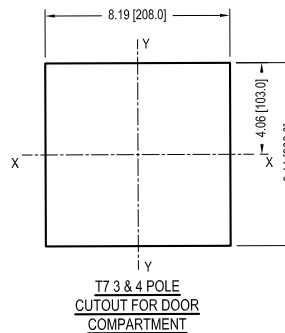
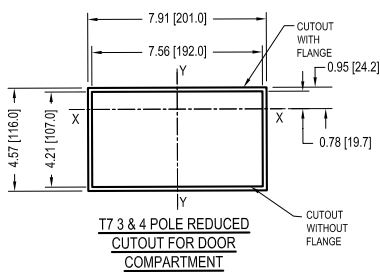
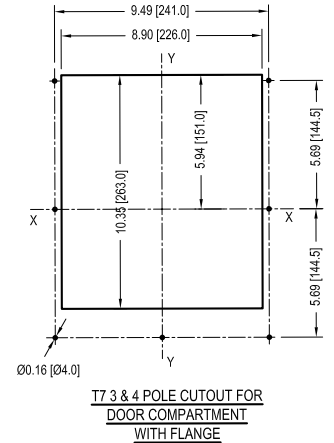
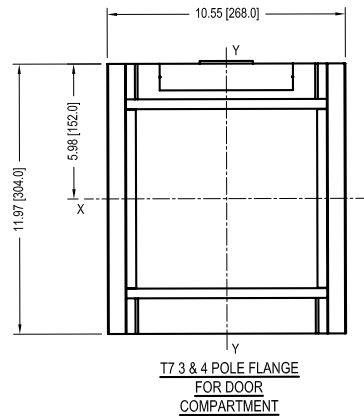
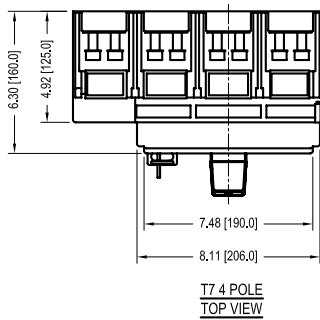
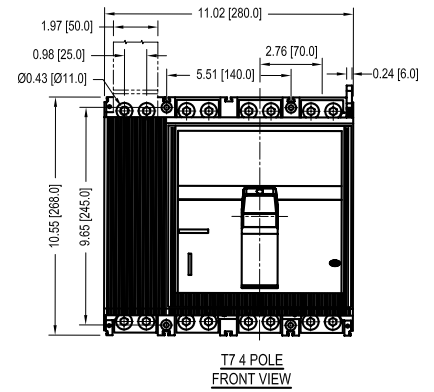
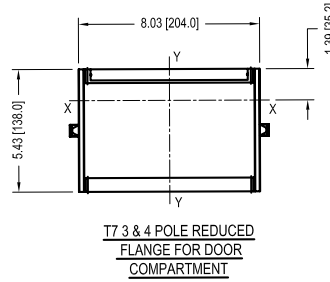
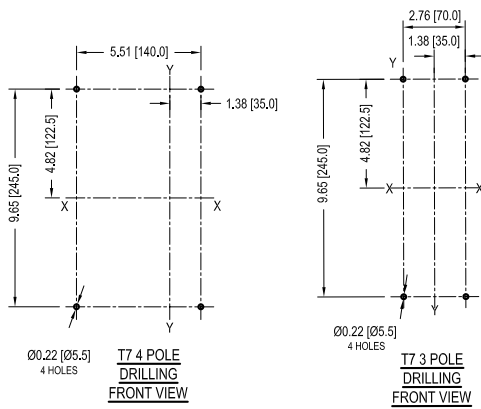
Tmax
MCCBs



	WITH FLANGE	WITHOUT FLANGE
A	4.92 [125.0] - 5.55 [141.0]	5.79 [147.0]

**T7 3 & 4 POLE
SIDE VIEW
WITH FLANGE**

**T7 3 & 4 POLE
SIDE VIEW
WITH REDUCED FLANGE**

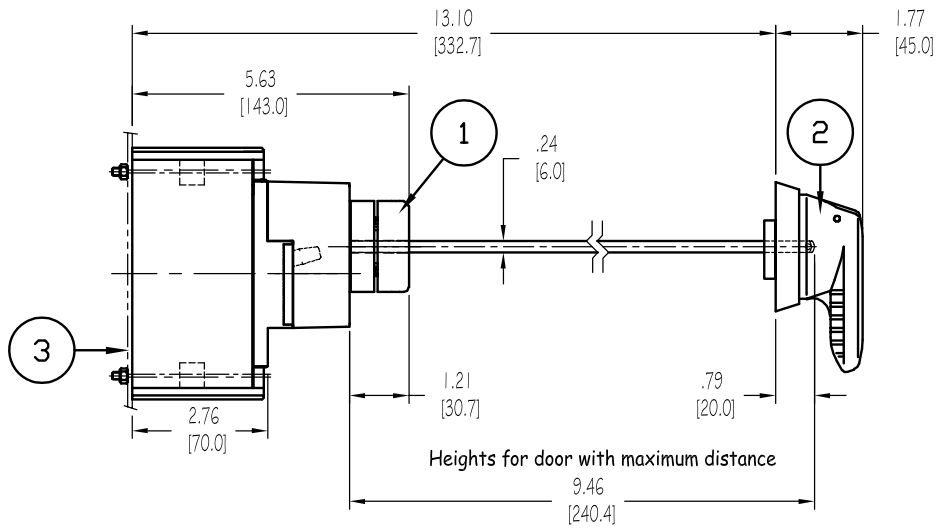


Approximate dimensions

Variable depth mechanism with OHB handle

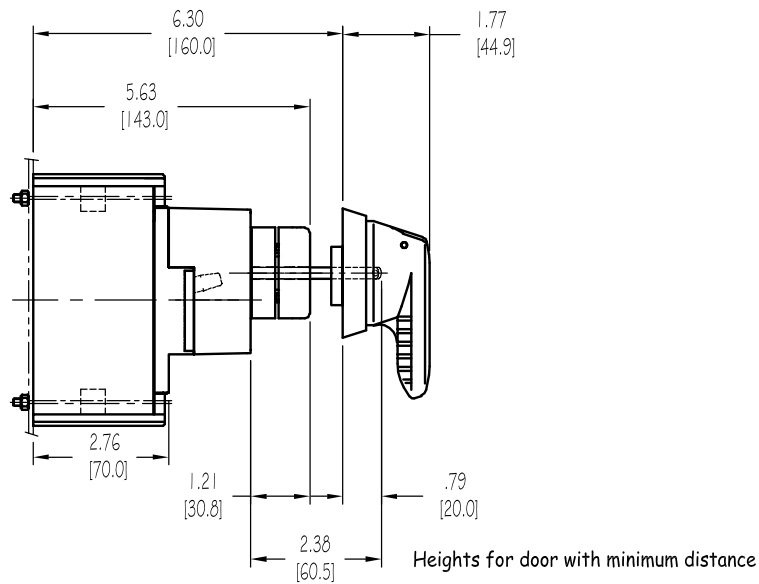
T1 - T3

Pistol handle operating mechanism on the compartment door



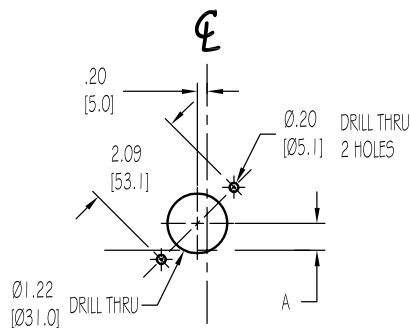
Caption

- ① Transmission unit
- ② Pistol handle operating mechanism on the compartment door
- ③ Insulating plate



Drilling template of the compartment door

A	
T1 - T2	T3
0.55 [13.97]	0.37 [9.4]

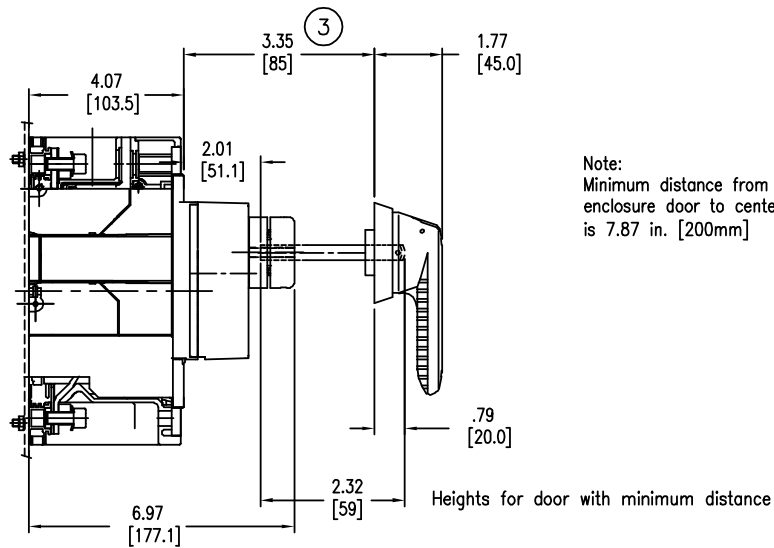
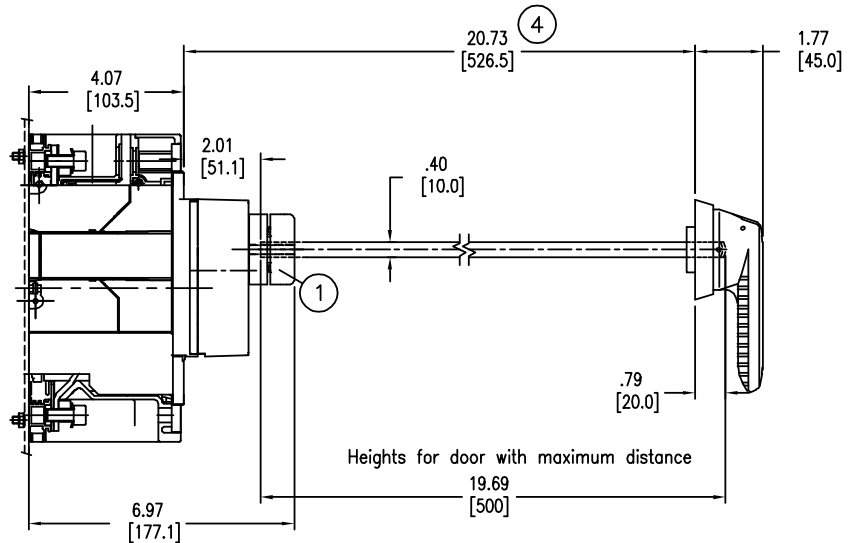


Approximate dimensions

Variable depth mechanism with OHB handle

T4 - T5

Pistol handle operating mechanism on the compartment door

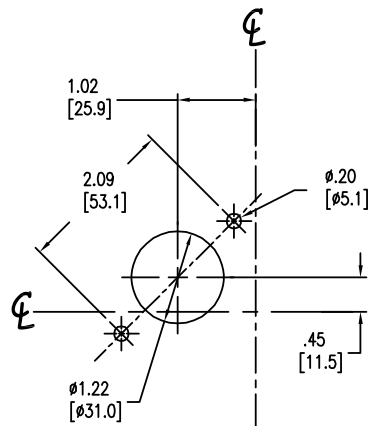


Note:
Minimum distance from hinge of enclosure door to center of shaft is 7.87 in. [200mm]

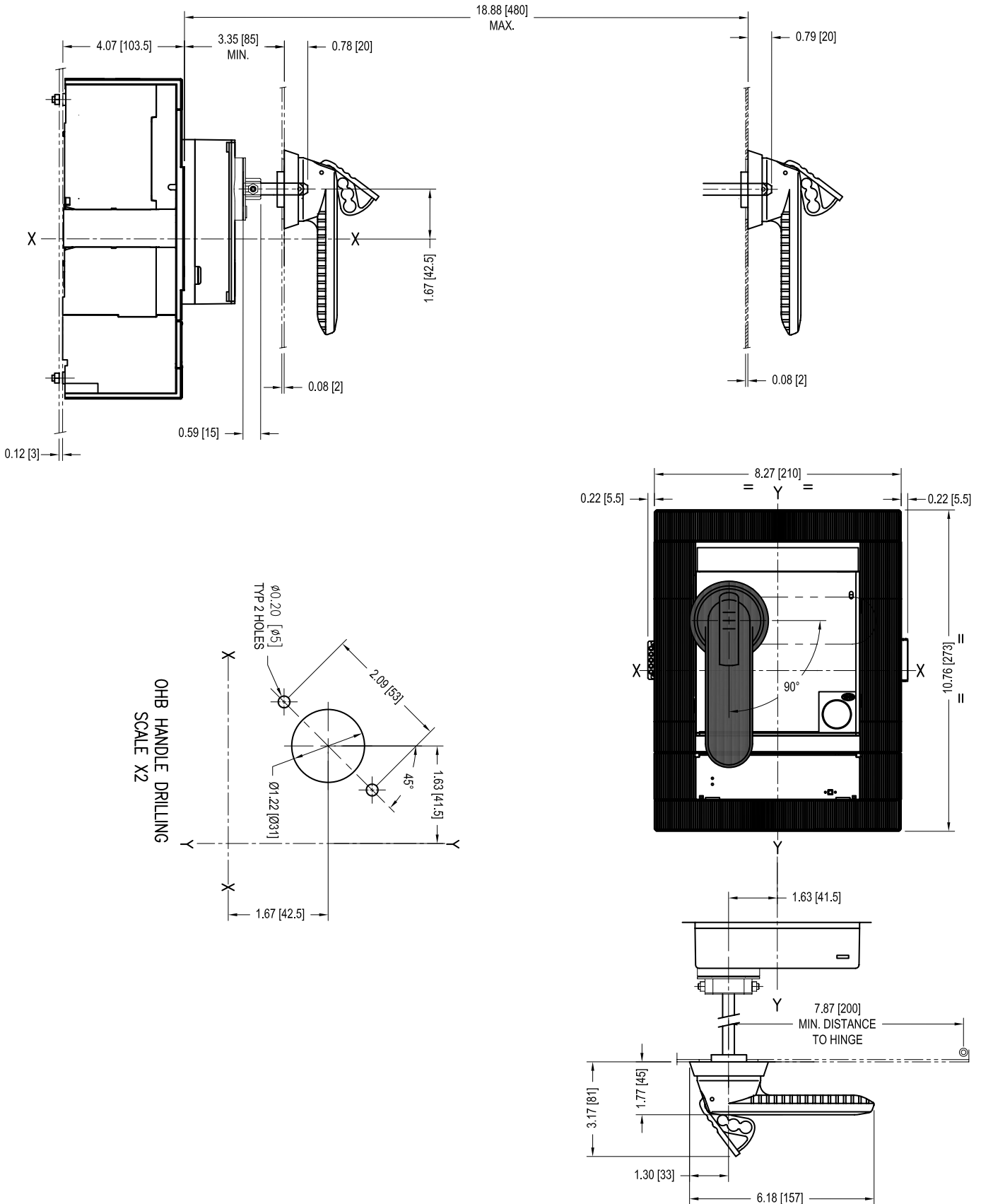
Caption

- ① Transmission unit
- ② Pistol handle operating mechanism on the compartment door
- ③ Minimum distance from the front door with accessory
- ④ Maximum distance from the front door with accessory

Drilling template of the compartment door



Approximate dimensions Variable depth mechanism T6



OHB HANDLE DRILLING
SCALE X2