

FIBERGLASS ENCLOSURES SPECIFICATION CATALOG



**ALLIED
MOULDED
PRODUCTS, Inc.**

ULTRAGUARD[®]
SUPERIOR UV PROTECTION

We're Committed.

Founded in 1958 and backed by 50 years of knowledge and experience molding fiberglass reinforced materials, Allied Moulded Products is well established within the electrical industry. We've got you covered because we have what it takes to prevent damaging elements such as water, salt, chemicals and UV from threatening your equipment. Our line of NEMA Type 4X, IEC Type IP66 fiberglass enclosures provides maximum protection where you need it most.

Centrally located in the heart of the country, Allied Moulded is unique among enclosure manufacturers as we are vertically integrated from mold design and fabrication to product delivery. With one of the newest production facilities in the United States dedicated to manufacturing fiberglass enclosures, we formulate our own Ultraguard® fiberglass reinforced polyester material, which allows us to control quality and costs. On-site molding, assembly and warehousing enables us to produce a high quality product while delivering quick turnaround on standard orders. We can also provide timely delivery on complete modification work, including holes, cutouts and special colors.

Together with our sales agents throughout the country, the Allied Moulded inside sales and engineering team is readily available to assist you with sales and technical support. Whether you need standard or modified product, Allied Moulded is truly a one-stop shop for your fiberglass enclosure and accessory needs.



Exceptional Customer Service.

Research and Development

Inventory

Innovative Design

Quality Standard Excellence

Customer Service



TABLE OF CONTENTS

ULTRAGUARD® MATERIAL FORMULATION	2-3
The FIBERGLASS Advantage	4-5
Industry Standards	6-7
ULTRALINE® AMU SERIES ENCLOSURES	8-33
AMU Series JIC Size Junction Boxes: Lift-Off Screw Cover - Solid/Opaque (NEMA 6P)	10-11
AMU Series JIC Size Junction Boxes: Lift-Off Screw Cover With Window	12-13
AMU Series JIC Size Junction Boxes: Lift-Off Screw Cover - Clear Polycarbonate (NEMA 6P)	14-15
AMU Series JIC Size Junction Boxes: Hinged Screw Cover - Solid/Opaque	16-17
AMU Series JIC Size Junction Boxes: Hinged Screw Cover With Window	18-19
AMU Series JIC Size Junction Boxes: Hinged Screw Cover - Clear Polycarbonate	20-21
AMU Series JIC Size Junction Boxes: Snap Latch Hinged Cover - Solid/Opaque	22-23
AMU Series JIC Size Junction Boxes: Snap Latch Hinged Cover With Window	24-25
AMU Series JIC Size Junction Boxes: Snap Latch Hinged Cover - Clear Polycarbonate	26-27
AMU Series JIC Size Junction Boxes: Twist Latch Hinged Cover - Solid/Opaque	28-29
AMU Series JIC Size Junction Boxes: Twist Latch Hinged Cover With Window	30-31
AMU Series JIC Size Junction Boxes: Twist Latch Hinged Cover - Clear Polycarbonate	32-33
AM SERIES ENCLOSURES	34-59
AM Series Small Junction Boxes: Lift-Off Screw Cover	36-37
AM Series Pushbutton Enclosures: Inline Lift-Off Screw Cover	38-39
AM Series Pushbutton Enclosures: Multi-Hole Lift-Off Screw Cover	40-41
AM Series Pushbutton Enclosures: Multi-Hole Hinged Screw Cover	42-43
AM Series JIC Size Junction Boxes: Lift-Off Screw Cover (NEMA 6P, 6"-14")	44-45
AM Series JIC Size Junction Boxes: Lift-Off Screw Cover With Window	46-47
AM Series JIC Size Junction Boxes: Hinged Screw Cover	48-49
AM Series JIC Size Junction Boxes: Hinged Screw Cover With Window	50-51
AM Series JIC Size Junction Boxes: Snap Latch Hinged Cover	52-53
AM Series JIC Size Junction Boxes: Snap Latch Hinged Cover With Window	54-55
AM Series JIC Size Junction Boxes: Twist Latch Hinged Cover	56-57
AM Series JIC Size Junction Boxes: Twist Latch Hinged Cover With Window	58-59
AM-R SERIES ENCLOSURES	60-77
AM-R Series JIC Size Junction Boxes: Lift-Off Screw Cover (NEMA 6P, 6"-14")	62-63
AM-R Series JIC Size Junction Boxes: Lift-Off Screw Cover With Window	64-65
AM-R Series JIC Size Junction Boxes: Hinged Screw Cover	66-67
AM-R Series JIC Size Junction Boxes: Hinged Screw Cover With Window	68-69
AM-R Series JIC Size Junction Boxes: Snap Latch Hinged Cover	70-71
AM-R Series JIC Size Junction Boxes: Snap Latch Hinged Cover With Window	72-73
AM-R Series JIC Size Junction Boxes: Twist Latch Hinged Cover	74-75
AM-R Series JIC Size Junction Boxes: Twist Latch Hinged Cover With Window	76-77
AMHD HEAVY DUTY SOLAR BATTERY ENCLOSURE: Snap Latch Hinged Cover	78-79
CONTROL SERIES ENCLOSURES	80-89
Control Series: Snap Latch Hinged Cover	82-83
Control Series: Snap Latch Hinged Cover With Window	84-85
Control Series: Twist Latch Hinged Cover	86-87
Control Series: Twist Latch Hinged Cover With Window	88-89
EMPIRE SERIES	90-99
Empire Series: Wall Mount - Twist Latch	92-93
Empire Series: Wall Mount - 3 Point Latch	94-95
Empire Series: Free Standing Single Door	96-97
Empire Series: Free Standing Double Door	98-99
PANELS & ENCLOSURE ACCESSORY PRODUCTS	100-106
CUSTOM MODIFICATIONS	107-108
SPECIALS/MODIFICATION REQUEST FORM	109
PRODUCT TECHNICAL INFORMATION	110-113
INDEX	114-116

ULTRAGUARD® MATERIAL FORMULATION

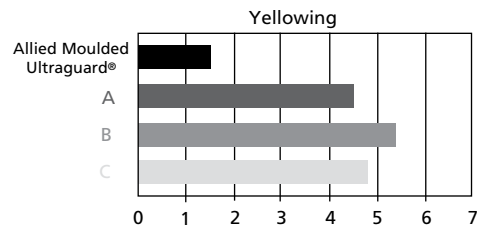
Ultraguard® -- Allied Moulded's new proprietary fiberglass reinforced polyester material formulation.

Allied's Materials Research and Development laboratory successfully optimized ingredients to create a formulation with the ability to resist the effects of UV degradation. The formulation was developed through the effective use of UV absorbers that provide protection by physically absorbing light in specific ranges of wavelengths, HALS (Hindered Amine Light Stabilizers), and antioxidants. Together, all three classes of stabilizers provide specific protection to modes of failure associated with outdoor exposure.

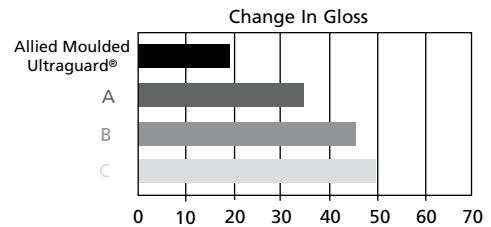
ULTRAGUARD® VERSUS THE COMPETITION

Allied's new Ultraguard® formulation out performed materials used by three leading fiberglass enclosure manufacturers. The following four key areas were benchmarked, with Ultraguard® easily coming out on top:

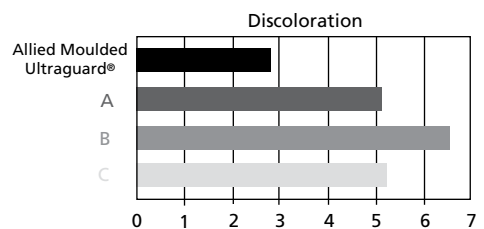
Yellowing (Delta b-change from original)
 65-70% improvement over leading competitive enclosure manufacturers.



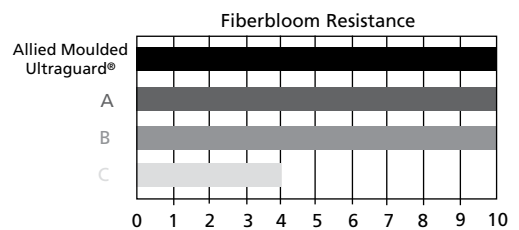
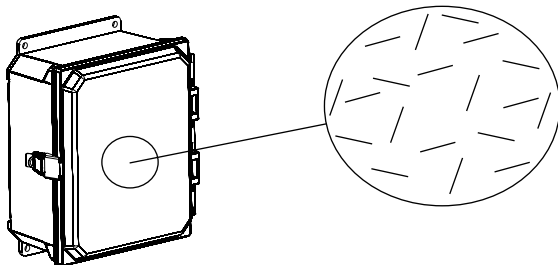
Change In Gloss (% change from original)
 44-62% improvement over leading competitive enclosure manufacturers.



Discoloration (Delta E-change from original)
 44-57% improvement over leading competitive enclosure manufacturers.



Fiberbloom resistance (change in aesthetics and texture)
 60% improvement over one competitor.
 Equivalent results compared to two remaining competitors.

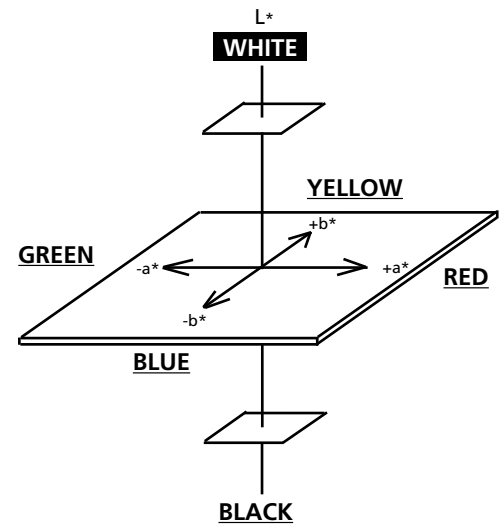


ULTRAGUARD® - HOW IT BENEFITS CUSTOMERS

Allied Moulded's new Ultraguard® formulation, while retaining its already robust structural integrity, now has an enhanced surface finish with improved aesthetics. Based upon customer feedback, Allied Moulded recognized an increased number of customer applications requiring outdoor capability and the related challenges to non-metallic enclosure designs. This is why Allied Moulded chose to invest in continuous improvement of our material formulations. Customer applications often require enclosures to be mounted on expensive systems where aesthetic appearance is critical. Changes in enclosure color, texture, and gloss in these applications are not acceptable. Fiberbloom, for example, not only is aesthetically unattractive, but can also be an issue if people come in physical contact with the enclosure surface. Literally defined, fiberbloom is degradation of the polyester compound surface during long-term outdoor exposure, resulting in the eventual exposure of glass fibers. Fiberbloom does not affect the structural integrity or NEMA rating of the enclosures.

ULTRAGUARD® - HOW THE RESULTS WERE PROVEN

Allied Moulded's Materials R&D lab team accepted the continuous improvement project challenge of finding a synergistic combination of compounds that would improve material resistance to color change, gloss change, surface degradation, and exposure of surface glass particles. They successfully met the challenge of maintaining standard material characteristics: UL 94 5V flame test standards and RoHS directive (Restriction of Hazardous Substances). The new formulation also does not contain antimony or halogens, which reduce the risk of smoke borne toxicity. Allied's research and development lab replaced subjective test results found in normal field testing with objective test results that were achieved with industry accepted lab equipment. Internal lab tests and outsourced "Independent Lab" testing (Q-lab Weathers Research Service) was conducted with a QUV accelerated weathering tester. Gloss readings were recorded using a BYK Micro Tri-Gloss machine and color data was recorded using a Hunter Lab ColorQuest sphere instrument. All test results were obtained and reported per ASTM & ISO standards.



L* a* b* Color Space - Instrumental color readings utilize three numbers to describe a color baseline.

ULTRAGUARD® VERSUS STEEL ENCLOSURES

While outdoor exposure appears to present problems for non-metal enclosures, there are many other reasons why non-metal enclosures are strongly preferred and why they actually provide better solutions. Weight, corrosion, ease of modification, resistance to dents and loss of seal integrity are all key issues that must be considered when choosing between non-metal and steel enclosures. Ultraguard® FRP is the preferred alternative.





THE FIBERGLASS ADVANTAGE

Fiberglass—The Superior Enclosure Material

Allied Moulded fiberglass enclosures are fabricated from our own proprietary Ultraguard® formulation. This material provides superior performance and protective properties in a wide variety of environments. Please make reference to our performance comparison chart of enclosure materials on page 9.

Beyond Meeting Standards to Exceeding Expectations

Of course, Allied Moulded fiberglass enclosures are designed and regularly tested to meet stringent UL® and CSA® specifications, but we don't stop there. Our full line of corrosion-resistant, maintenance-free fiberglass enclosures is designed to provide optimum protection in the harshest environments, from water treatment facilities and irrigation systems to oil refineries and chemical processing plants.



Outperforming the Alternatives

Fiberglass reinforced polyester (FRP) offers significant benefits over metal enclosures such as carbon and stainless steel.



Compare them and you'll discover that fiberglass reinforced polyester enclosures are:

- Lighter and easier to handle
- Strong enough to hold up under extreme conditions
- Equal to stainless steel in corrosion and chemical resistance, and far better than carbon steel
- Non-conductive—an electrical insulator rather than electrical conductor
- Much easier to punch, drill or saw
- Less expensive to ship

Allied Moulded enclosures also outperform other non-metallic alternatives in areas such as:

- Chemical resistance
- Protection against degradation due to UV exposure
- Resistance to extreme temperatures
- Flame retardant properties



Take the time to compare the cost, quality and performance of our fiberglass reinforced polyester products and you'll see why we say Allied Moulded has the superior enclosure solutions.

Performance Comparison of Enclosure Materials					
	Fiberglass	Stainless Steel	Carbon Steel	PVC	Polycarbonate
Corrosive Resistance	Excellent	Excellent	Poor	Excellent	Fair
Chemical Resistance	Excellent	Excellent	Poor	Very Good	Good
Relative Cost	Low	High	Low to Moderate	Low	Low to Moderate
Drilling, Punching & Cutting	Very Easy	Extremely Hard	Hard	Very Easy	Easy
Dielectric Strength	Electrical Insulator	Electrical Conductor	Electrical Conductor	Electrical Insulator	Electrical Insulator
Weight	Light	Heavy	Heavy	Light	Light

INDUSTRY STANDARDS

Enclosure Ratings

In order to assist in the selection of an enclosure, rating classifications have been established by the National Electrical Manufacturers Association (NEMA). These ratings identify the ability of the enclosure to provide a degree of protection against incidental contact with the enclosed equipment and protection to the enclosed equipment from environmental elements such as dirt, dust, water and other corrosive agents. Underwriters Laboratories (UL) and the Canadian Standards Association (CSA) are widely recognized testing organizations that perform enclosure product testing to these standards and provide regular follow up service to ensure that manufacturers conform to established product and manufacturing specifications.

These ratings, however, are intended to be used only as a guide. To ensure a proper choice, it is recommended that an assessment of the application and environment be conducted before product selection.

NEMA 1

Indoor use to provide a degree of protection against falling dirt.

NEMA 2

Indoor use to provide a degree of protection against limited amounts of falling water and dirt.

NEMA 3

Indoor or outdoor use to provide a degree of protection against falling dirt, rain, sleet, snow and wind-blown dust; and that will be undamaged by the external formation of ice on the enclosure.

NEMA 3R

Indoor or outdoor use to provide a degree of protection against falling dirt, rain, sleet and snow; and that will be undamaged by the external formation of ice on the enclosure.

NEMA 4

Indoor or outdoor use to provide a degree of protection against falling dirt, rain, sleet, snow, windblown dust, splashing water, hose-directed water; and that will be undamaged by the external formation of ice on the enclosure.

NEMA 4X

Indoor or outdoor use to provide a degree of protection against falling dirt, rain, sleet, snow, windblown dust, splashing water, hose-directed water and corrosion; and that will be undamaged by the external formation of ice on the enclosure.

NEMA 6P

Indoor or outdoor use primarily to provide a degree of protection against the entry of water during occasional temporary submersion at a limited depth.

NEMA 12

Indoor use to provide a degree of protection against falling dirt; circulating dust, lint, fibers and flyings; and dripping and light splashing of liquids.

NEMA 13

Indoor use to provide a degree of protection against falling dirt; circulating dust, lint, fibers and flyings; and spraying and seepage of water, oil and non-corrosive coolants.

International Standards IP Protection Classification Data

The first digit character represents the degree of protection against a person's contact with live parts and the protection of the equipment against the ingress of solid foreign bodies. The second digit represents the degree of protection against the ingress of liquids. Both of these values are represented in ascending value with the larger number equaling the greatest protection.

First Digit		Second Digit	
IP	Test	IP	Test
0	No protection	0	No protection
1	Protection against solid bodies larger than 50 mm (for example accidentally touching with the hand)	1	Protection against vertical water drops and condensation
2	Protection against solid bodies larger than 12 mm (for example a finger)	2	Protection against water drops up to 15° from the vertical
3	Protection against solid bodies larger than 2.5 mm (tools, wires)	3	Protected against rain up to 60° from the vertical
4	Protection against solid bodies larger than 1mm (tools, wires)	4	Protected against water splashing from a hose from all directions
5	Protection against dust (no harmful deposits)	5	Protected against water sprayed from a hose from all directions
6	Complete protection against dust	6	Protected against water projections similar to sea wave splashes
		7	Protected against the effects of immersion
		8	Protected against effects of prolonged immersion under pressure

Conformance to Industry Standards

Industrial enclosures manufactured by Allied Moulded Products and bearing the UL and CSA labels have been tested and certified to the following standards:

- UL 50 Enclosures For Electrical Equipment
- UL 50E Enclosures For Electrical Equipment, Environmental Considerations
- UL 508A Industrial Control Equipment
- UL 746C Polymeric Materials – Use In Electrical Equipment Evaluations
- CSA-C22 No. 14 Industrial Control Equipment
- CAN/CSA-C22 No. 94 Special Purpose Enclosures

Allied Moulded Products enclosures series AMU, AM, AMP and AM-R maximum size 30 x 24 x 10 are certified:

- UL Types 1, 2, 3, 4, 4X, 12, and 13
- CSA Types 1, 2, 3, 3R, 4, 4X, 12 and 13
- NEMA Types 1, 2, 3, 3R, 4, 4X, 12 and 13

AM and AM-R JIC flat and raised cover models sizes 14" x 12" x 6" and smaller (excluding AM743 and AM943) and all AMU and AMP models utilizing covers secured with four mounting screws are UL and CSA listed Type 6P.

Allied Moulded Products enclosures series AM sizes 36 x 30 x 12 and larger are certified:

- UL Types 1, 4, and 4X
- CSA Types 1, 4, and 4X
- NEMA Types 1, 4, and 4X

AMP and AMU series meet IEC60529 Type IP66. Models rated NEMA 6P meet IEC60529 Type IP68 submersible up to 24 hours at a depth of 6 feet (1.8meters)

ULTRALINE®



AMU SERIES

Ultraline® comes standard with "industry exclusive" mounting options including an out of the box mounting flange or adjustable mounting feet to cover various mounting configurations. Featuring molded latch keepers, a tongue and groove seal design, and a flange design that can be retrofit to competition, Ultraline is the ultimate in fiberglass enclosures. A clear polycarbonate cover option is also available for instrumentation applications where critical electronic equipment must be visible and protected from the elements.

AM Series Features & Benefits

- Patented (US Pat #7,572,975) "Industry Exclusive" multi-mounting capability
 - Out-of-the-box flange design – factory installed
 - Flange mount hole pattern match "VJ", "J", and "A" series competitive foot prints
 - Optional foot mount brackets for multi-directional mounting
 - Capable of mounting vertically or horizontally
- Mounting dimensions molded into the enclosure base
- Durable polycarbonate feet/flanges withstand cracking during wall mount assembly
- Feet and Flanges act as an enclosure pad on uneven surfaces without allowing it to be drawn down and bind, or crack
- Feet and Flange pads also allow air space between the enclosure and a warm machine or mounting wall



- Cover/Base design
 - Flush, aesthetically pleasing, modern architecture
- Clear polycarbonate instrumentation cover where critical electronic equipment must be visible and protected from the elements
- Solid/opaque covers come with a drill point pattern inside for hole modifications when required



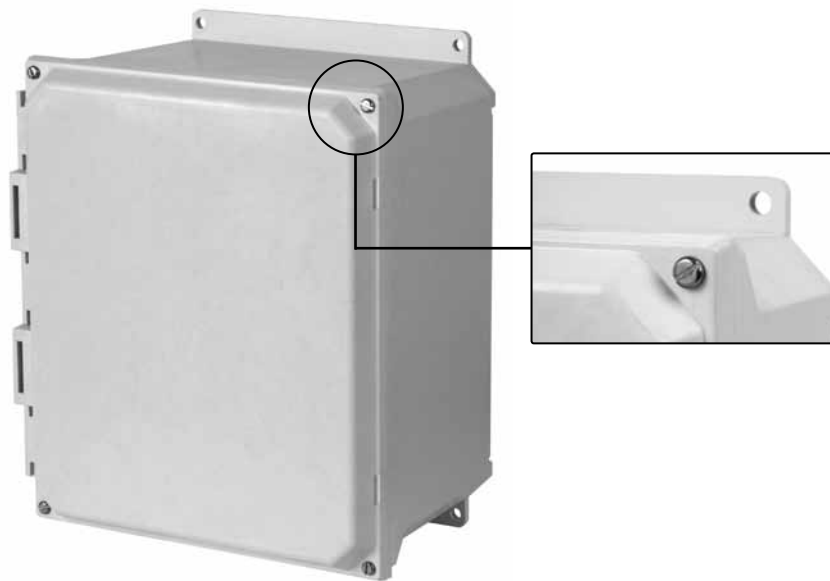
- Tongue and groove, closed cell neoprene seal design for NEMA Type 4X rating



- Eight Sizes ranging from 6x6x4 through 20x16x10
- UL® listed and CSA certified
- Allied Moulded Ultraguard® fiberglass reinforced polyester material formulation
- Compliant with RoHS directive (Restriction of Hazardous Substances)

- Molded hinge and latch keeper designs eliminate wall penetrations





AMU Series JIC Size Junction Boxes: Lift-Off Screw Cover - Solid/Opaque

APPLICATION

- Designed to insulate and protect controls and components in both indoor and outdoor applications often found in oil refineries, waste water treatment equipment, and chemical plants
- Especially well suited for high temperature or corrosive environments
- Protects from dirt, dust, oil, and water
- For use with industrial control equipment in ordinary locations

STANDARDS

- UL Types 1, 2, 3, 4, 4X, 6P, 12, and 13
- CSA Types 1, 2, 3, 3R, 4, 4X, 6P, 12 and 13
- NEMA Types 1, 2, 3, 3R, 4, 4X, 6P, 12 and 13
- IEC 60529 Type IP68 submersible up to 24 hours at a depth of 6 feet (1.8meters)
- Enclosure flammability rating per UL@ 50
- Joint Industrial Council (JIC) enclosure sizing
- Compliant with RoHS directive (Restriction of Hazardous Substances)

CONSTRUCTION

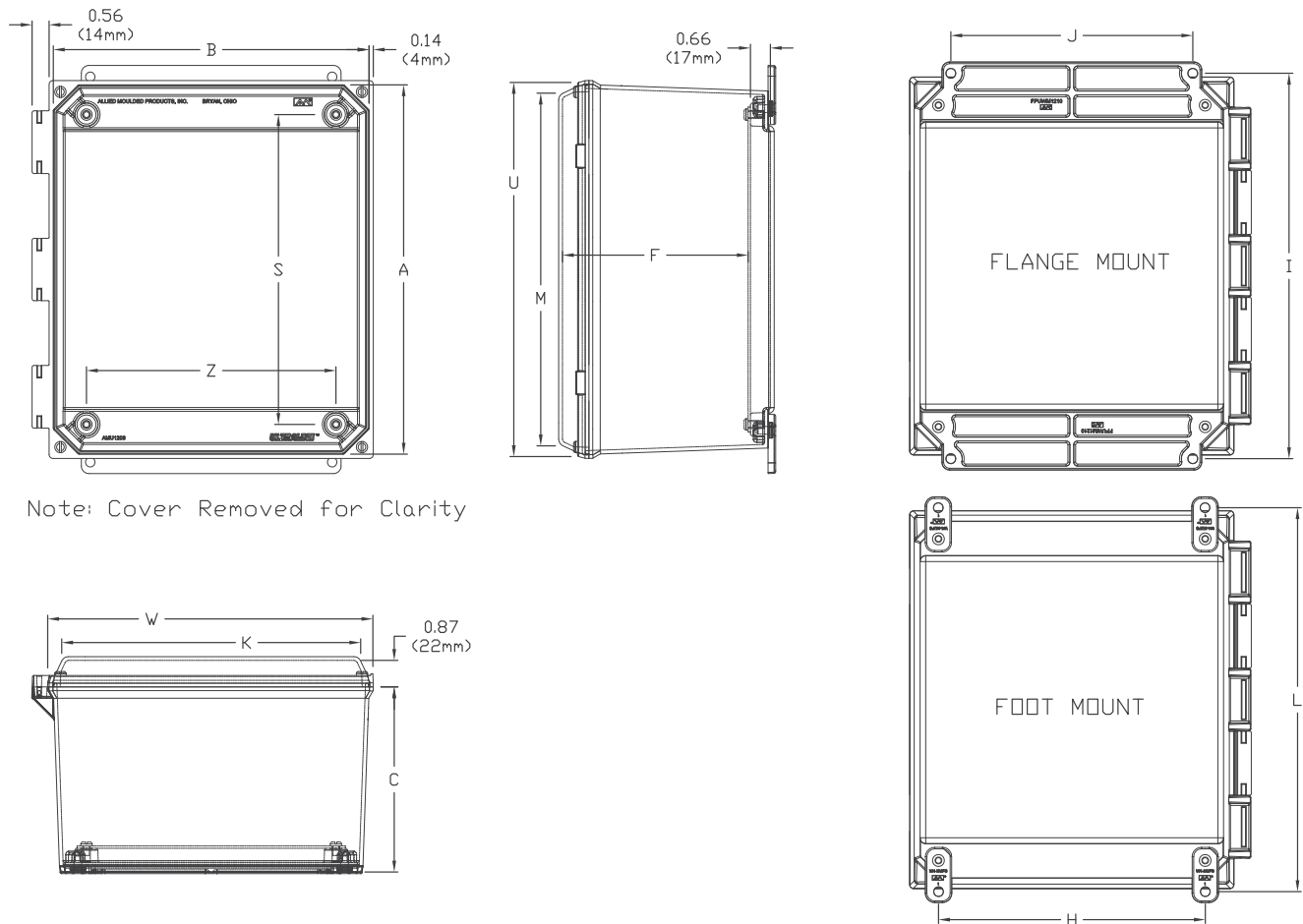
- Compression molded fiberglass reinforced polyester construction with flush, solid/opaque cover
- Allied Moulded Ultraguard® fiberglass reinforced polyester material formulation - UV stabilized for outdoor use
- Light gray color (RAL 7035)
- 300 series stainless steel captive cover screws
- Gasket made of closed cell neoprene cord encased in a continuous tongue and groove channel
- Polycarbonate flanges (installed) and mounting feet (bagged) with four 300 series stainless steel screws
- 10-32 threaded brass inserts are installed for back panel mounting

ACCESSORIES

- Optional back panels and hinged front panels
- Optional thermal management products

MODIFICATIONS

- Custom holes and cutouts
- Custom size polycarbonate viewing windows
- Molded-in color matches
- EMI/RFI shielding
- Factory-supplied silk screening



Part No.	Box Size			Usable Depth F	Panel Boss Centers		Panel Sizes		Flange Mount Centers		Foot Mount Centers		Cover Size				Nom. Wall Thickness
	A	B	C		S	Z	Height	Width	J	I	H	L	K	M	W	U	
AMU664(F*)	6.05	6.27	4.13	4.11	4.25	4.25	4.81	4.81	4.00	6.88, 6.75	4.91	6.75	5.89	5.67	6.72	6.50	0.13
	154mm	159mm	105mm	104mm	108mm	108mm	122mm	122mm	102mm	175, 171mm	125mm	171mm	150mm	144mm	171mm	165mm	3mm
AMU864(F*)	8.05	6.27	4.13	4.11	6.25	4.25	6.75	4.88	4.00	8.88, 8.75	4.91	8.75	5.89	7.67	6.72	8.50	0.13
	204mm	159mm	105mm	104mm	159mm	108mm	171mm	124mm	102mm	226, 222mm	125mm	222mm	150mm	195mm	171mm	216mm	3mm
AMU1084(F*)	10.05	8.27	4.13	4.11	8.25	6.25	8.75	6.88	6.00	10.75	6.91	10.75	7.89	9.67	8.72	10.50	0.13
	255mm	210mm	105mm	104mm	210mm	159mm	222mm	175mm	152mm	273mm	176mm	273mm	200mm	246mm	221mm	267mm	3mm
AMU1206(F*)	12.05	10.27	6.13	6.11	10.25	8.25	10.75	8.88	8.00	12.75	8.82	12.70	9.89	11.67	10.72	12.50	0.13
	306mm	261mm	156mm	155mm	260mm	210mm	273mm	226mm	203mm	324mm	224mm	323mm	251mm	296mm	272mm	318mm	3mm
AMU1426(F*)	14.05	12.27	6.13	6.11	12.25	10.25	12.75	10.88	10.00	14.75, 14.62	10.82	14.70	11.89	13.67	12.72	14.50	0.13
	357mm	312mm	156mm	155mm	311mm	260mm	324mm	276mm	254mm	375, 371mm	275mm	373mm	302mm	347mm	323mm	368mm	3mm
AMU1648(F*)	16.05	14.27	8.13	8.11	14.25	12.25	14.75	12.88	12.00	16.75	11.47	16.91	13.89	15.67	14.72	16.50	0.14
	408mm	362mm	207mm	206mm	362mm	311mm	375mm	327mm	305mm	425mm	291mm	430mm	353mm	398mm	374mm	419mm	4mm
AMU1860(F*)	18.12	16.34	10.13	10.10	16.25	14.25	16.88	14.88	12.00	18.88, 18.76	13.72	19.16	16.14	17.92	16.97	18.75	0.19
	460mm	415mm	257mm	257mm	413mm	362mm	429mm	378mm	305mm	480, 477mm	348mm	487mm	410mm	455mm	431mm	476mm	5mm
AMU2060(F*)	19.87	16.09	10.13	10.10	17.81	13.81	18.44	14.44	10.00	21.25	13.16	20.53	15.89	19.67	16.72	20.50	0.19
	505mm	409mm	257mm	257mm	452mm	351mm	468mm	367mm	254mm	540mm	334mm	521mm	404mm	500mm	425mm	521mm	5mm

*Enclosure base part numbers come standard with 4 separately bagged feet (ex. AMU664)

Add "F" to the part number for factory installed flanges (ex. AMU664F)

"I" dimensions with multiple numbers indicate slotted holes

All dimensions are in inches unless otherwise noted

All sizes 6" x 6" x 4" up through 20" x 16" x 10" are rated 6P (IP68)



Order Today: 419-636-4217, Fax: 419-636-2450, e-mail: sales@alliedmoulded.com



AMU Series JIC Size Junction Boxes: Lift-Off Screw Cover with Window

APPLICATION

- Designed to insulate and protect controls and components in both indoor and outdoor applications often found in oil refineries, waste water treatment equipment, and chemical plants
- Especially well suited for high temperature or corrosive environments
- Protects from dirt, dust, oil, and water
- For use with industrial control equipment in ordinary locations
- Clear/polycarbonate, viewing window used in applications where critical electronic equipment
- must be visible and protected from the elements

STANDARDS

- UL Types 1, 2, 3, 4, 4X, 12, and 13
- CSA Types 1, 2, 3, 3R, 4, 4X, 12 and 13
- NEMA Types 1, 2, 3, 3R, 4, 4X, 12 and 13
- IEC 60529 Type IP66
- Enclosure flammability rating per UL@ 50
- Joint Industrial Council (JIC) enclosure sizing
- Compliant with RoHS directive (Restriction of Hazardous Substances)

CONSTRUCTION

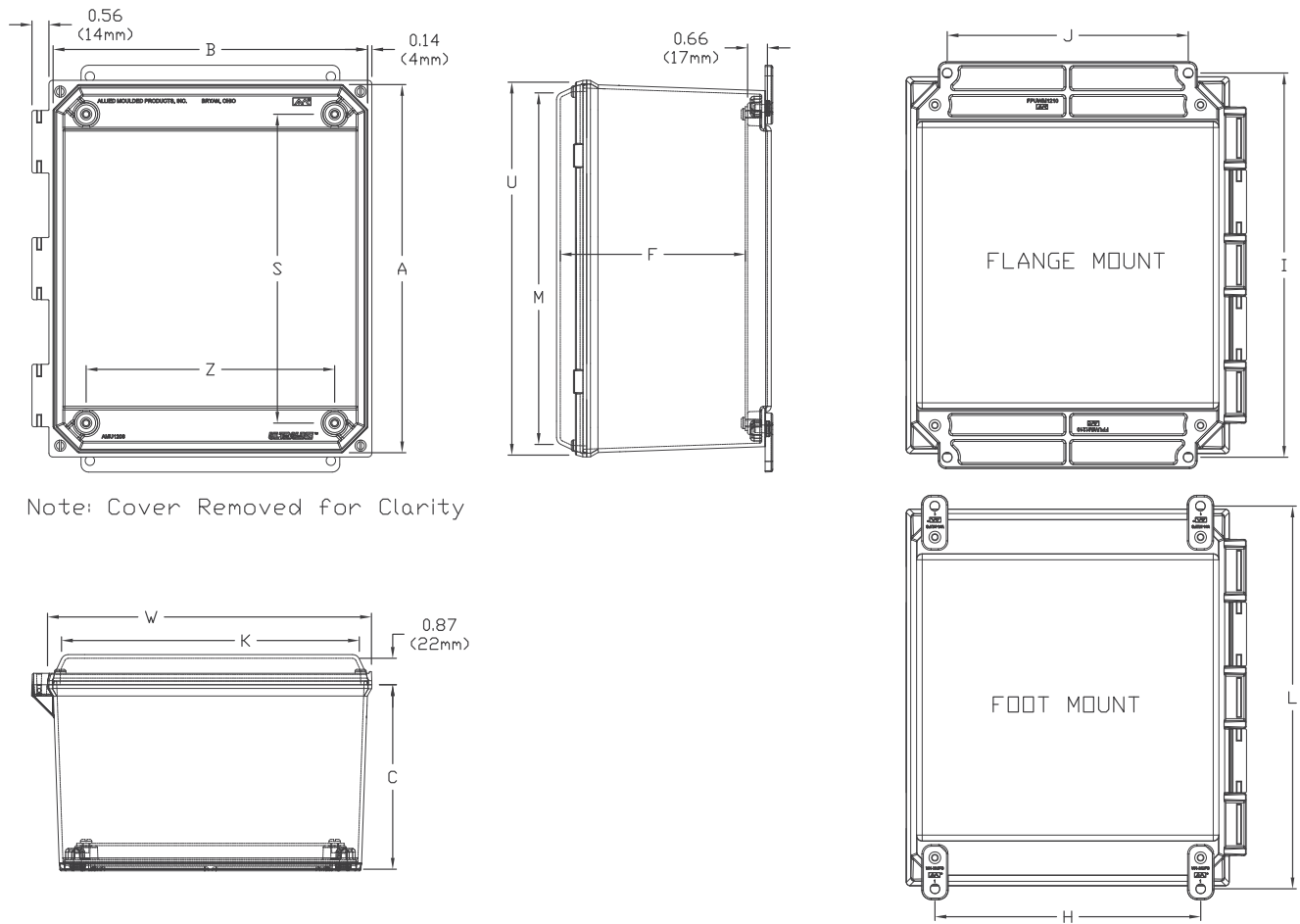
- Compression molded fiberglass reinforced polyester construction with flush, viewing window cover
- Allied Moulded Ultraguard® fiberglass reinforced polyester material formulation - UV stabilized for outdoor use
- Light gray color (RAL 7035)
- Clear, polycarbonate viewing window
- 300 series stainless steel captive cover screws
- Gasket made of closed cell neoprene cord encased in a continuous tongue and groove channel
- Polycarbonate flanges (installed) or mounting feet (bagged) with four 300 series stainless steel screws
- 10-32 threaded brass inserts are installed for back panel mounting

ACCESSORIES

- Optional back panels and hinged front panels
- Optional thermal management products

MODIFICATIONS

- Custom holes and cutouts
- Molded-in color matches
- EMI/RFI shielding
- Factory-supplied silk screening



Note: Cover Removed for Clarity

Part No.	Box Size			Usable Depth F	Panel Boss Centers		Panel Sizes		Flange Mount Centers		Foot Mount Centers		Cover Size				Nom. Wall Thick.	Window Dimension (height x width)
	A	B	C		S	Z	Height	Width	J	I	H	L	K	M	W	U		
AMU664W(F*)	6.05 154mm	6.27 159mm	4.13 105mm	4.11 104mm	4.25 108mm	4.25 108mm	4.81 122mm	4.81 122mm	4.00 102mm	6.88, 6.75 175, 171mm	4.91 125mm	6.75 171mm	5.89 150mm	5.67 144mm	6.72 171mm	6.50 165mm	0.13 3mm	3.50 x 3.50 90mm x 90mm
AMU864W(F*)	8.05 204mm	6.27 159mm	4.13 105mm	4.11 104mm	6.25 159mm	4.25 108mm	6.75 171mm	4.88 124mm	4.00 102mm	8.88, 8.75 226, 222mm	4.91 125mm	8.75 222mm	5.89 150mm	7.67 195mm	6.72 171mm	8.50 216mm	0.13 3mm	5.25 x 4.00 133mm x 102mm
AMU1084W(F*)	10.05 255mm	8.27 210mm	4.13 105mm	4.11 104mm	8.25 210mm	6.25 159mm	8.75 222mm	6.88 175mm	6.00 152mm	10.75 273mm	6.91 176mm	10.75 273mm	7.89 200mm	9.67 246mm	8.72 221mm	10.50 267mm	0.13 3mm	6.25 x 4.25 159mm x 108mm
AMU1206W(F*)	12.05 306mm	10.27 261mm	6.13 156mm	6.11 155mm	10.25 260mm	8.25 210mm	10.75 273mm	8.88 226mm	8.00 203mm	12.75 324mm	8.82 224mm	12.70 323mm	9.89 251mm	11.67 296mm	10.72 272mm	12.50 318mm	0.13 3mm	8.38 x 6.50 213mm x 165mm
AMU1426W(F*)	14.05 357mm	12.27 312mm	6.13 156mm	6.11 155mm	12.25 311mm	10.25 260mm	12.75 324mm	10.88 226mm	10.00 254mm	14.75, 14.62 375, 371mm	10.82 275mm	14.70 373mm	11.89 302mm	13.67 347mm	12.72 323mm	14.50 368mm	0.13 3mm	10.38 x 8.50 264mm x 216mm
AMU1648W(F*)	16.05 408mm	14.27 362mm	8.13 207mm	8.11 206mm	14.25 362mm	12.25 311mm	14.75 375mm	102.88 327mm	12.00 305mm	16.75 425mm	11.47 291mm	16.91 430mm	13.89 353mm	15.67 398mm	14.72 374mm	16.50 419mm	0.14 4mm	12.38 x 10.50 314mm x 267mm
AMU1860W(F*)	18.12 460mm	16.34 415mm	10.13 257mm	10.10 257mm	16.25 413mm	14.25 362mm	16.88 429mm	14.88 378mm	12.00 305mm	18.88, 18.76 480, 477mm	13.72 348mm	19.16 487mm	16.14 410mm	17.92 455mm	16.97 431mm	18.75 476mm	0.19 5mm	13.00 x 11.00 330mm x 279mm
AMU2060W(F*)	19.87 505mm	16.09 409mm	10.13 257mm	10.10 257mm	17.81 452mm	13.81 351mm	18.44 468mm	14.44 367mm	10.00 254mm	21.25 540mm	13.16 334mm	20.53 521mm	15.89 404mm	19.67 500mm	16.72 425mm	20.50 521mm	0.19 5mm	14.00 x 12.00 356mm x 305mm

*Enclosure base part numbers come standard with 4 separately bagged feet (ex. AMU664W)

Add "F" to the part number for factory installed flanges (ex. AMU664WF)

"I" dimensions with multiple numbers indicate slotted holes

All dimensions are in inches unless otherwise noted



Order Today: 419-636-4217, Fax: 419-636-2450, e-mail: sales@alliedmoulded.com



AMU Series JIC Size Junction Boxes: Lift-Off Screw Cover - Clear Polycarbonate

APPLICATION

- Designed to insulate and protect controls and components in both indoor and outdoor applications often found in oil refineries, waste water treatment equipment, and chemical plants
- Especially well suited for high temperature or corrosive environments
- Protects from dirt, dust, oil, and water
- For use with industrial control equipment in ordinary locations
- Clear/polycarbonate, instrumentation cover used in applications where critical electronic equipment must be visible and protected from the elements

STANDARDS

- UL Types 1, 2, 3, 4, 4X, 6P, 12, and 13
- CSA Types 1, 2, 3, 3R, 4, 4X, 6P, 12 and 13
- NEMA Types 1, 2, 3, 3R, 4, 4X, 6P, 12 and 13
- IEC 60529 Type IP68 submersible up to 24 hours at a depth of 6 feet (1.8meters)
- Enclosure flammability rating per UL® 50
- Joint Industrial Council (JIC) enclosure sizing
- Compliant with RoHS directive (Restriction of Hazardous Substances)

CONSTRUCTION

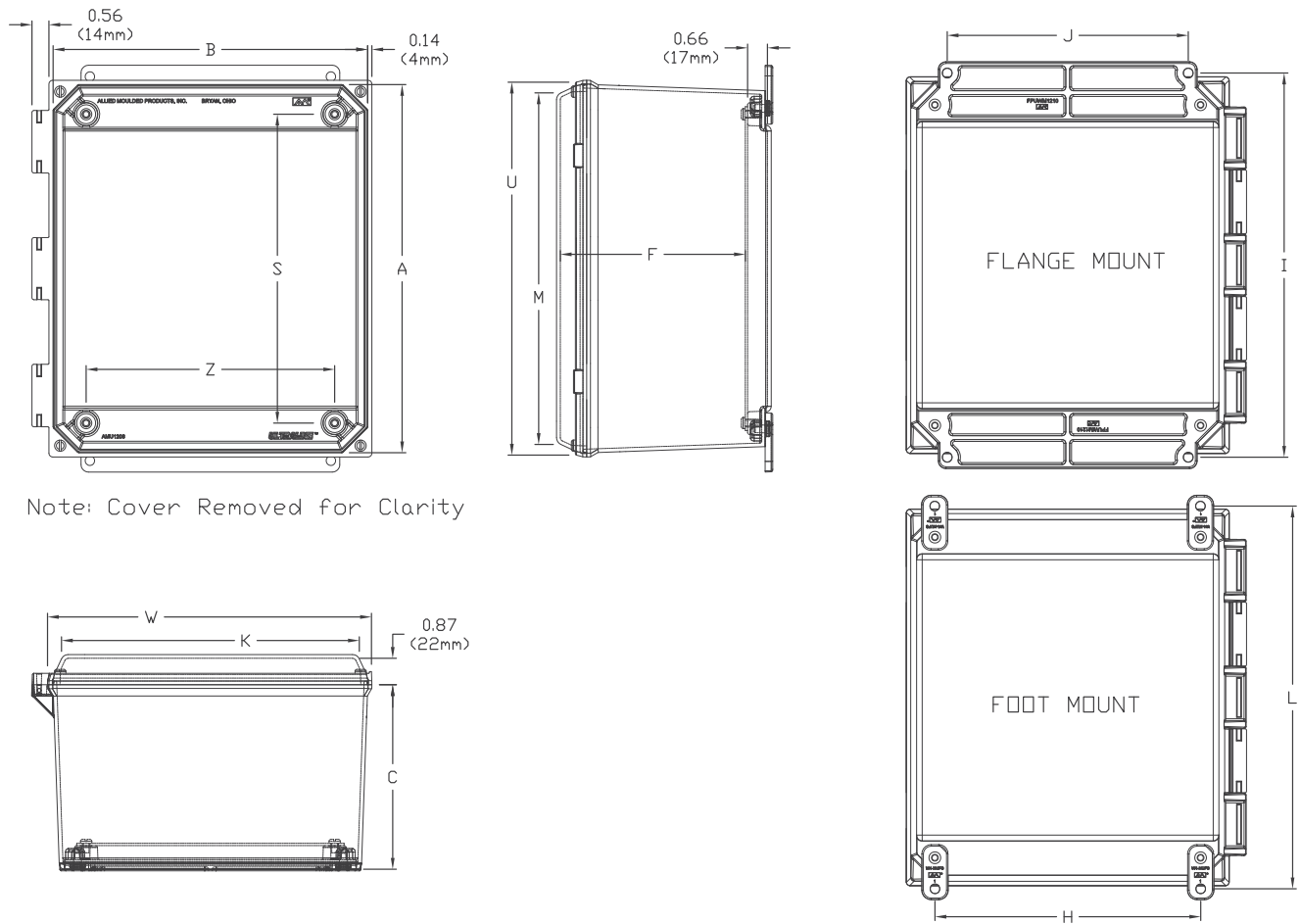
- Compression molded fiberglass reinforced polyester construction with flush, clear polycarbonate cover
- Allied Moulded Ultraguard® fiberglass reinforced polyester material formulation - UV stabilized for outdoor use
- Light gray color (RAL 7035)
- Clear, polycarbonate instrumentation cover
- 300 series stainless steel captive cover screws
- Gasket made of closed cell neoprene cord encased in a continuous tongue and groove channel
- Polycarbonate flanges (installed) or mounting feet (bagged) with four 300 series stainless steel screws
- 10-32 threaded brass inserts are installed for back panel mounting

ACCESSORIES

- Optional back panels and hinged front panels
- Optional thermal management products

MODIFICATIONS

- Custom holes and cutouts
- Molded-in color matches
- EMI/RFI shielding
- Factory-supplied silk screening



Part No.	Box Size			Usable Depth F	Panel Boss Centers		Panel Sizes		Flange Mount Centers		Foot Mount Centers		Cover Size				Nom. Wall Thickness
	A	B	C		S	Z	Height	Width	J	I	H	L	K	M	W	U	
AMU664CC(F*)	6.05 154mm	6.27 159mm	4.13 105mm	4.11 104mm	4.25 108mm	4.25 108mm	4.81 122mm	4.81 122mm	4.00 102mm	6.88, 6.75 175, 171mm	4.91 125mm	6.75 171mm	5.89 150mm	5.67 144mm	6.72 171mm	6.50 165mm	0.13 3mm
AMU864CC(F*)	8.05 204mm	6.27 159mm	4.13 105mm	4.11 104mm	6.25 159mm	4.25 108mm	6.75 171mm	4.88 124mm	4.00 102mm	8.88, 8.75 226, 222mm	4.91 125mm	8.75 222mm	5.89 150mm	7.67 195mm	6.72 171mm	8.50 216mm	0.13 3mm
AMU1084CC(F*)	10.05 255mm	8.27 210mm	4.13 105mm	4.11 104mm	8.25 210mm	6.25 159mm	8.75 222mm	6.88 175mm	6.00 152mm	10.75 273mm	6.91 176mm	10.75 273mm	7.89 200mm	9.67 246mm	8.72 221mm	10.50 267mm	0.13 3mm
AMU1206CC(F*)	12.05 306mm	10.27 261mm	6.13 156mm	6.11 155mm	10.25 260mm	8.25 210mm	10.75 273mm	8.88 226mm	8.00 203mm	12.75 324mm	8.82 224mm	12.70 323mm	9.89 251mm	11.67 296mm	10.72 272mm	12.50 318mm	0.13 3mm
AMU1426CC(F*)	14.05 357mm	12.27 312mm	6.13 156mm	6.11 155mm	12.25 311mm	10.25 260mm	12.75 324mm	10.88 276mm	10.00 254mm	14.75, 14.62 375, 371mm	10.82 275mm	14.70 373mm	11.89 302mm	13.67 347mm	12.72 323mm	14.50 368mm	0.13 3mm
AMU1648CC(F*)	16.05 408mm	14.27 362mm	8.13 207mm	8.11 206mm	14.25 362mm	12.25 311mm	14.75 375mm	12.88 327mm	12.00 305mm	16.75 425mm	11.47 291mm	16.91 430mm	13.89 353mm	15.67 398mm	14.72 374mm	16.50 419mm	0.14 4mm

*Enclosure base part numbers come standard with 4 separately bagged feet (ex. AMU664CC)

Add "F" to the part number for factory installed flanges (ex. AMU664CCF)

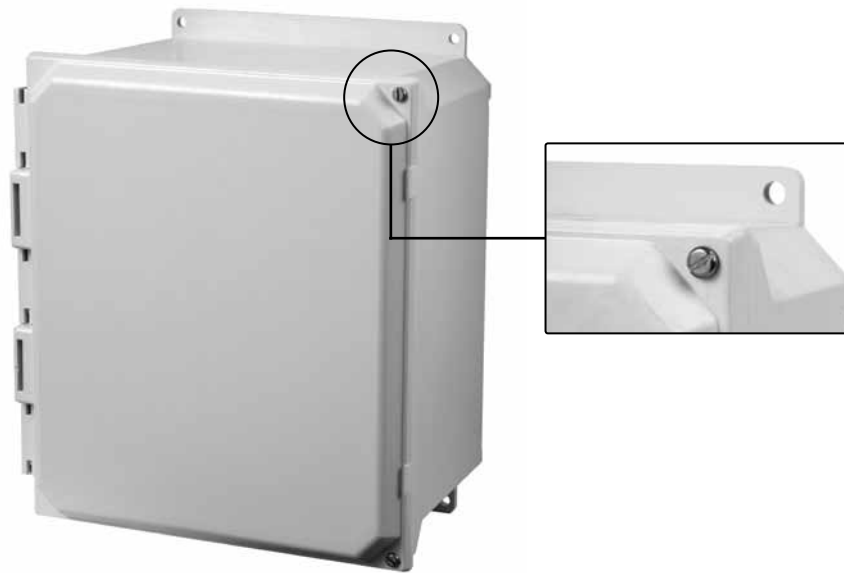
"I" dimensions with multiple numbers indicate slotted holes

All dimensions are in inches unless otherwise noted

All sizes 6" x 6" x 4" up through 16" x 14" x 8" are rated 6P (IP68)



Order Today: 419-636-4217, Fax: 419-636-2450, e-mail: sales@alliedmoulded.com



AMU Series JIC Size Junction Boxes: Hinged Screw Cover - Solid/Opaque

APPLICATION

- Designed to insulate and protect controls and components in both indoor and outdoor applications
- often found in oil refineries, waste water treatment equipment, and chemical plants
- Especially well suited for high temperature or corrosive environments
- Protects from dirt, dust, oil, and water
- For use with industrial control equipment in ordinary locations

STANDARDS

- UL Types 1, 2, 3, 4, 4X, 12, and 13
- CSA Types 1, 2, 3, 3R, 4, 4X, 12 and 13
- NEMA Types 1, 2, 3, 3R, 4, 4X, 12 and 13
- IEC 60529 Type IP66
- Enclosure flammability rating per UL® 50
- Joint Industrial Council (JIC) enclosure sizing
- Compliant with RoHS directive (Restriction of Hazardous Substances)

CONSTRUCTION

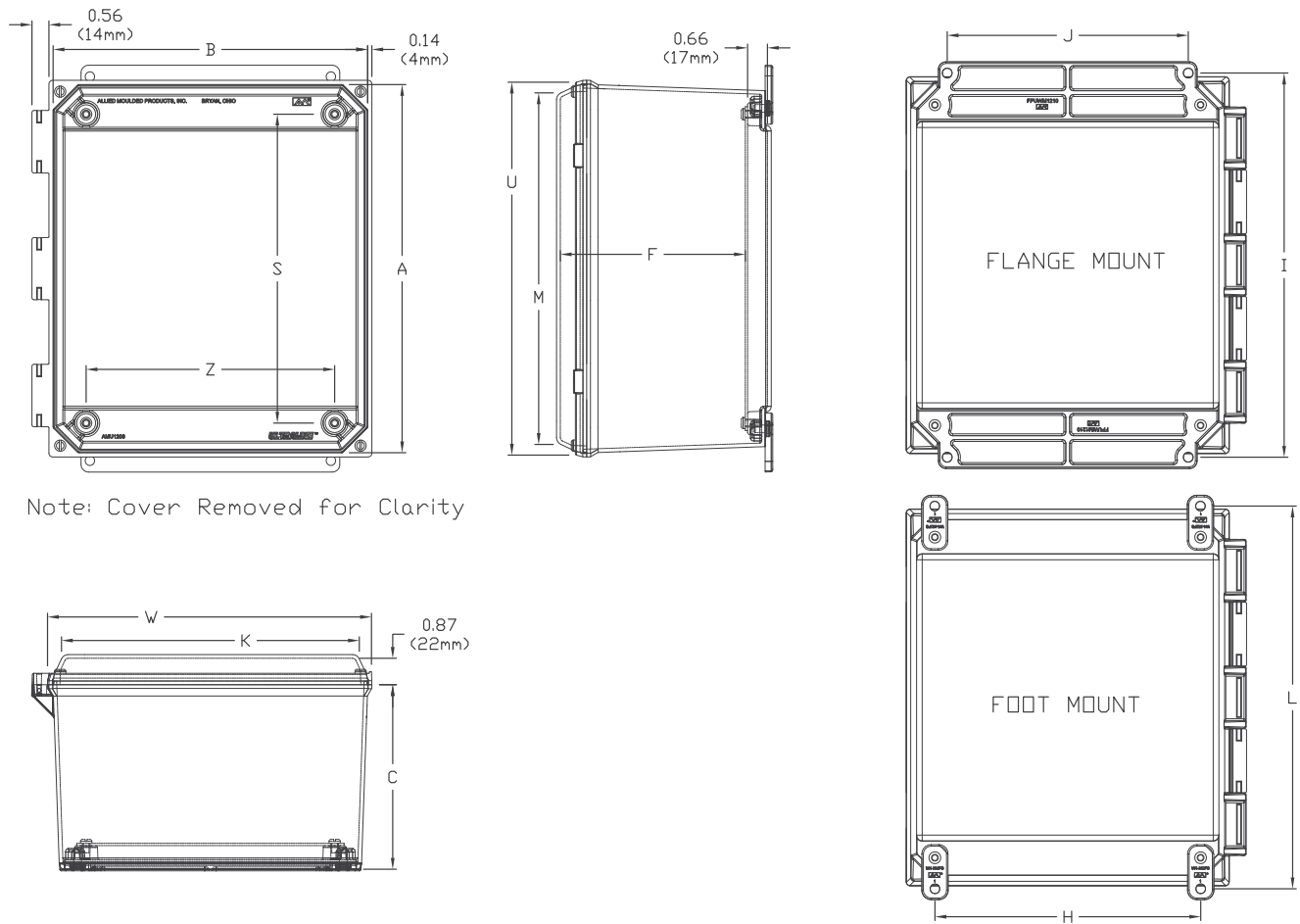
- Compression molded fiberglass reinforced polyester construction with flush, solid/opaque cover
- Allied Moulded Ultraguard® fiberglass reinforced polyester material formulation - UV stabilized for outdoor use
- Light gray color (RAL 7035)
- 300 series stainless steel captive cover screws, and hinge pin
- Partially molded hinge
- Gasket made of closed cell neoprene cord encased in a continuous tongue and groove channel
- Polycarbonate flanges (installed) or mounting feet (bagged) with four 300 series stainless steel screws
- 10-32 threaded brass inserts are installed for back panel mounting

ACCESSORIES

- Optional back panels and hinged front panels
- Optional thermal management products

MODIFICATIONS

- Custom holes and cutouts
- Custom size polycarbonate viewing windows
- Molded-in color matches
- EMI/RFI shielding
- Factory-supplied silk screening

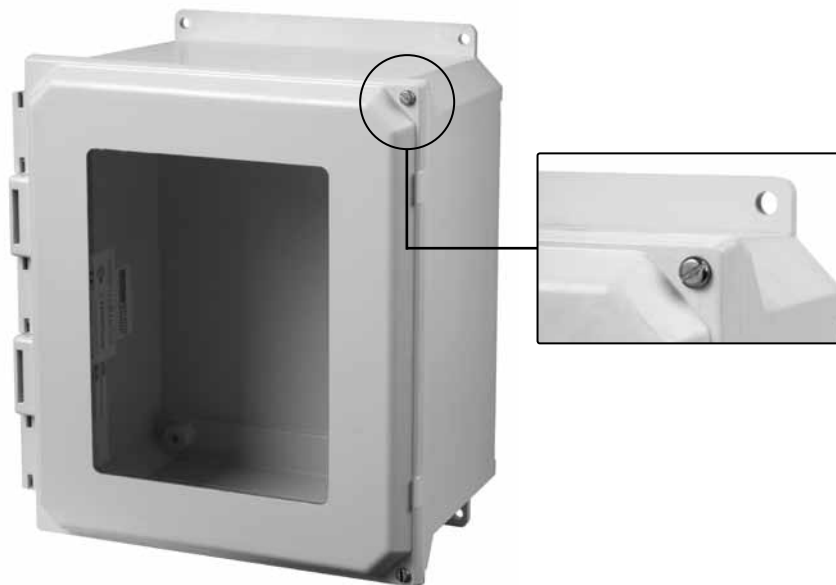


Part No.	Box Size			Usable Depth F	Panel Boss Centers		Panel Sizes		Flange Mount Centers		Foot Mount Centers		Cover Size				Nom. Wall Thickness
	A	B	C		S	Z	Height	Width	J	I	H	L	K	M	W	U	
AMU664H(F*)	6.05 154mm	6.27 159mm	4.13 105mm	4.11 104mm	4.25 108mm	4.25 108mm	4.81 122mm	4.81 122mm	4.00 102mm	6.88, 6.75 175, 171mm	4.91 125mm	6.75 171mm	5.89 150mm	5.67 144mm	6.72 171mm	6.50 165mm	0.13 3mm
AMU864H(F*)	8.05 204mm	6.27 159mm	4.13 105mm	4.11 104mm	6.25 159mm	4.25 108mm	6.75 171mm	4.88 124mm	4.00 102mm	8.88, 8.75 226, 222mm	4.91 125mm	8.75 222mm	5.89 150mm	7.67 195mm	6.72 171mm	8.50 216mm	0.13 3mm
AMU1084H(F*)	10.05 255mm	8.27 210mm	4.13 105mm	4.11 104mm	8.25 210mm	6.25 159mm	8.75 222mm	6.88 175mm	6.00 152mm	10.75 273mm	6.91 176mm	10.75 273mm	7.89 200mm	9.67 246mm	8.72 221mm	10.50 267mm	0.13 3mm
AMU1206H(F*)	12.05 306mm	10.27 261mm	6.13 156mm	6.11 155mm	10.25 260mm	8.25 210mm	10.75 273mm	8.88 226mm	8.00 203mm	12.75 324mm	8.82 224mm	12.70 323mm	9.89 251mm	11.67 296mm	10.72 272mm	12.50 318mm	0.13 3mm
AMU1426H(F*)	14.05 357mm	12.27 312mm	6.13 156mm	6.11 155mm	12.25 311mm	10.25 260mm	12.75 324mm	10.88 276mm	10.00 254mm	14.75, 14.62 375, 371mm	10.82 275mm	14.70 373mm	11.89 302mm	13.67 347mm	12.72 323mm	14.50 368mm	0.13 3mm
AMU1648H(F*)	16.05 408mm	14.27 362mm	8.13 207mm	8.11 206mm	14.25 362mm	12.25 311mm	14.75 375mm	12.88 327mm	12.00 305mm	16.75 425mm	11.47 291mm	16.91 430mm	13.89 353mm	15.67 398mm	14.72 374mm	16.50 419mm	0.14 4mm
AMU1860H(F*)	18.12 460mm	16.34 415mm	10.13 257mm	10.10 257mm	16.25 413mm	14.25 362mm	16.88 429mm	14.88 378mm	12.00 305mm	18.88, 18.76 480, 477mm	13.72 348mm	19.16 487mm	16.14 410mm	17.92 455mm	16.97 431mm	18.75 476mm	0.19 5mm
AMU2060H(F*)	19.87 505mm	16.09 409mm	10.13 257mm	10.10 257mm	17.81 452mm	13.81 351mm	18.44 468mm	14.44 367mm	10.00 254mm	21.25 540mm	13.16 334mm	20.53 521mm	15.89 404mm	19.67 500mm	16.72 425mm	20.50 521mm	0.19 5mm

*Enclosure base part numbers come standard with 4 separately bagged feet (ex. AMU664H)
 Add "F" to the part number for factory installed flanges (ex. AMU664HF)
 "I" dimensions with multiple numbers indicate slotted holes
 All dimensions are in inches unless otherwise noted



Order Today: 419-636-4217, Fax: 419-636-2450, e-mail: sales@alliedmoulded.com



AMU Series JIC Size Junction Boxes: Hinged Screw Cover with Window

APPLICATION

- Designed to insulate and protect controls and components in both indoor and outdoor applications often found in oil refineries, waste water treatment equipment, and chemical plants
- Especially well suited for high temperature or corrosive environments
- Protects from dirt, dust, oil, and water
- For use with industrial control equipment in ordinary locations
- Clear/polycarbonate, viewing window used in applications where critical electronic equipment must be visible and protected from the elements

STANDARDS

- UL Types 1, 2, 3, 4, 4X, 12, and 13
- CSA Types 1, 2, 3, 3R, 4, 4X, 12 and 13
- NEMA Types 1, 2, 3, 3R, 4, 4X, 12 and 13
- IEC 60529 Type IP66
- Enclosure flammability rating per UL® 50
- Joint Industrial Council (JIC) enclosure sizing
- Compliant with RoHS directive (Restriction of Hazardous Substances)

CONSTRUCTION

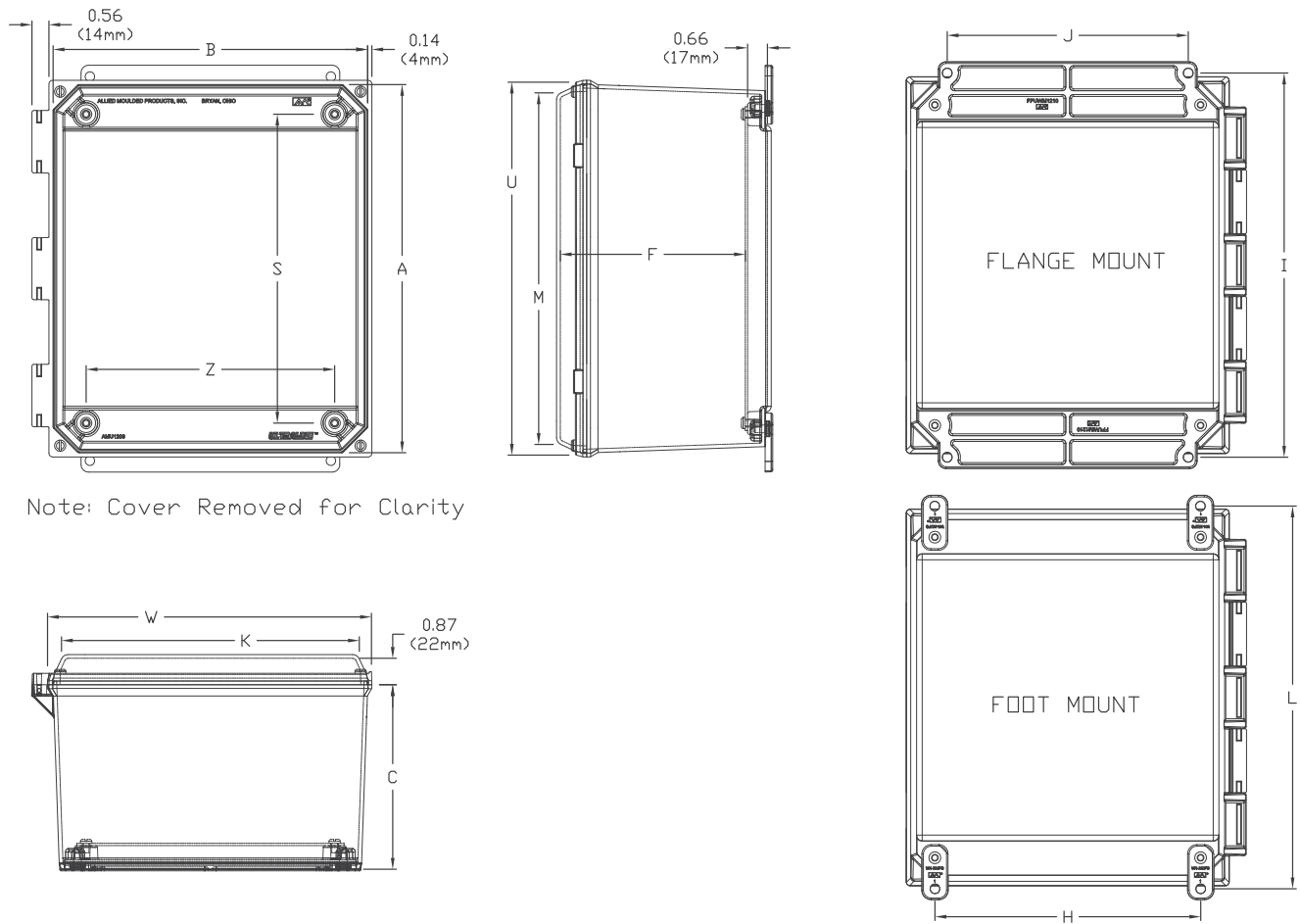
- Compression molded fiberglass reinforced polyester construction with flush, viewing window cover
- Allied Moulded Ultraguard® fiberglass reinforced polyester material formulation - UV stabilized for outdoor use
- Light gray color (RAL 7035)
- Clear, polycarbonate viewing window cover
- 300 series stainless steel captive cover screws and hinge pin
- Partially molded hinge
- Gasket made of closed cell neoprene cord encased in a continuous tongue and groove channel
- Polycarbonate flanges (installed) or mounting feet (bagged) with four 300 series stainless steel screws
- 10-32 threaded brass inserts are installed for back panel mounting

ACCESSORIES

- Optional back panels and hinged front panels
- Optional thermal management products

MODIFICATIONS

- Custom holes and cutouts
- Molded-in color matches
- EMI/RFI shielding
- Factory-supplied silk screening



Note: Cover Removed for Clarity

Part No.	Box Size			Usable Depth F	Panel Boss Centers		Panel Sizes		Flange Mount Centers		Foot Mount Centers		Cover Size				Nom. Wall Thick.	Window Dimension (height x width)
	A	B	C		S	Z	Height	Width	J	I	H	L	K	M	W	U		
AMU664HW(F*)	6.05 154mm	6.27 159mm	4.13 105mm	4.11 104mm	4.25 108mm	4.25 108mm	4.81 122mm	4.81 122mm	4.00 102mm	6.88, 6.75 175, 171mm	4.91 125mm	6.75 171mm	5.89 150mm	5.67 144mm	6.72 171mm	6.50 165mm	0.13 3 mm	3.50 x 3.50 90mm x 90mm
AMU864HW(F*)	8.05 204mm	6.27 159mm	4.13 105mm	4.11 104mm	6.25 159mm	4.25 108mm	6.75 171mm	4.88 124mm	4.00 102mm	8.88, 8.75 226, 222mm	4.91 125mm	8.75 222mm	5.89 150mm	7.67 195mm	6.72 171mm	8.50 216mm	0.13 3 mm	5.25 x 4.00 133mm x 102mm
AMU1084HW(F*)	10.05 255mm	8.27 210mm	4.13 105mm	4.11 104mm	8.25 210mm	6.25 159mm	8.75 222mm	6.88 175mm	6.00 152mm	10.75 273mm	6.91 176mm	10.75 273mm	7.89 200mm	9.67 246mm	8.72 221mm	10.50 267mm	0.13 3 mm	6.25 x 4.25 159mm x 108mm
AMU1206HW(F*)	12.05 306mm	10.27 261mm	6.13 156mm	6.11 155mm	10.25 260mm	8.25 210mm	10.75 273mm	8.88 226mm	8.00 203mm	12.75 324mm	8.82 224mm	12.70 323mm	9.89 251mm	11.67 296mm	10.72 272mm	12.50 318mm	0.13 3 mm	8.38 x 6.50 213mm x 165mm
AMU1426HW(F*)	14.05 357mm	12.27 312mm	6.13 156mm	6.11 155mm	12.25 311mm	10.25 260mm	12.75 324mm	10.88 276mm	10.00 254mm	14.75, 14.62 375, 371mm	10.82 275mm	14.70 373mm	11.89 302mm	13.67 347mm	12.72 323mm	14.50 368mm	0.13 3 mm	10.38 x 8.50 264mm x 216mm
AMU1648HW(F*)	16.05 408mm	14.27 362mm	8.13 207mm	8.11 206mm	14.25 362mm	12.25 311mm	14.75 375mm	12.88 327mm	12.00 305mm	16.75 425mm	11.47 291mm	16.91 430mm	13.89 353mm	15.67 398mm	14.72 374mm	16.50 419mm	0.14 4 mm	12.38 x 10.50 314mm x 267mm
AMU1860HW(F*)	18.12 460mm	16.34 415mm	10.13 257mm	10.10 257mm	16.25 413mm	14.25 362mm	16.88 429mm	14.88 378mm	12.00 305mm	18.88, 18.76 480, 477mm	13.72 348mm	19.16 487mm	16.14 410mm	17.92 455mm	16.97 431mm	18.75 476mm	0.19 5 mm	13.00 x 11.00 330mm x 279mm
AMU2060HW(F*)	19.87 505mm	16.09 409mm	10.13 257mm	10.10 257mm	17.81 452mm	13.81 351mm	18.44 468mm	14.44 367mm	10.00 254mm	21.25 540mm	13.16 334mm	20.53 521mm	15.89 404mm	19.67 500mm	16.72 425mm	20.50 521mm	0.19 5 mm	14.00 x 12.00 356mm x 305mm

*Enclosure base part numbers come standard with 4 separately bagged feet (ex. AMU664HW)

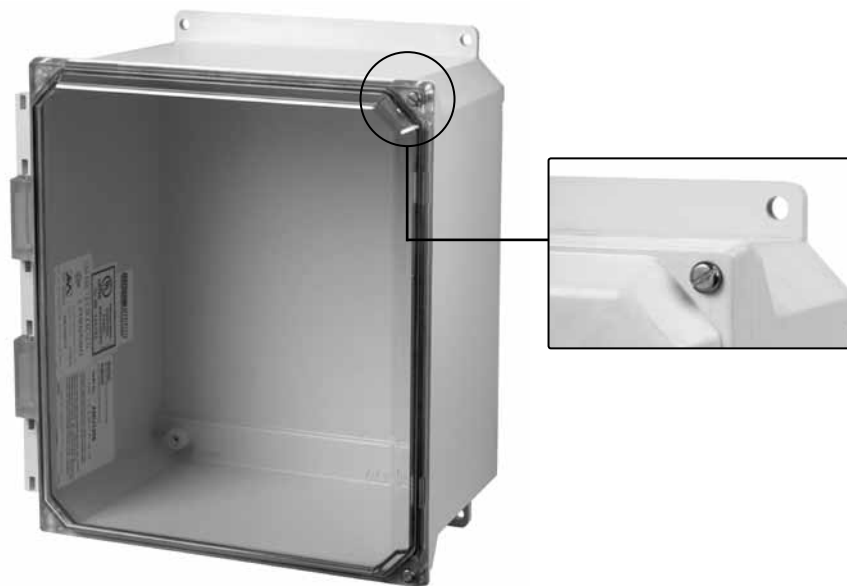
Add "F" to the part number for factory installed flanges (ex. AMU664HWF)

"I" dimensions with multiple numbers indicate slotted holes

All dimensions are in inches unless otherwise noted



Order Today: 419-636-4217, Fax: 419-636-2450, e-mail: sales@alliedmoulded.com



AMU Series JIC Size Junction Boxes: Hinged Screw Cover - Clear Polycarbonate

APPLICATION

- Designed to insulate and protect controls and components in both indoor and outdoor applications often found in oil refineries, waste water treatment equipment, and chemical plants
- Especially well suited for high temperature or corrosive environments
- Protects from dirt, dust, oil, and water
- For use with industrial control equipment in ordinary locations
- Clear/polycarbonate, instrumentation cover used in applications where critical electronic equipment must be visible and protected from the elements

STANDARDS

- UL Types 1, 2, 3, 4, 4X, 12, and 13
- CSA Types 1, 2, 3, 3R, 4, 4X, 12 and 13
- NEMA Types 1, 2, 3, 3R, 4, 4X, 12 and 13
- IEC 60529 Type IP66
- Enclosure flammability rating per UL® 50
- Joint Industrial Council (JIC) enclosure sizing
- Compliant with RoHS directive (Restriction of Hazardous Substances)

CONSTRUCTION

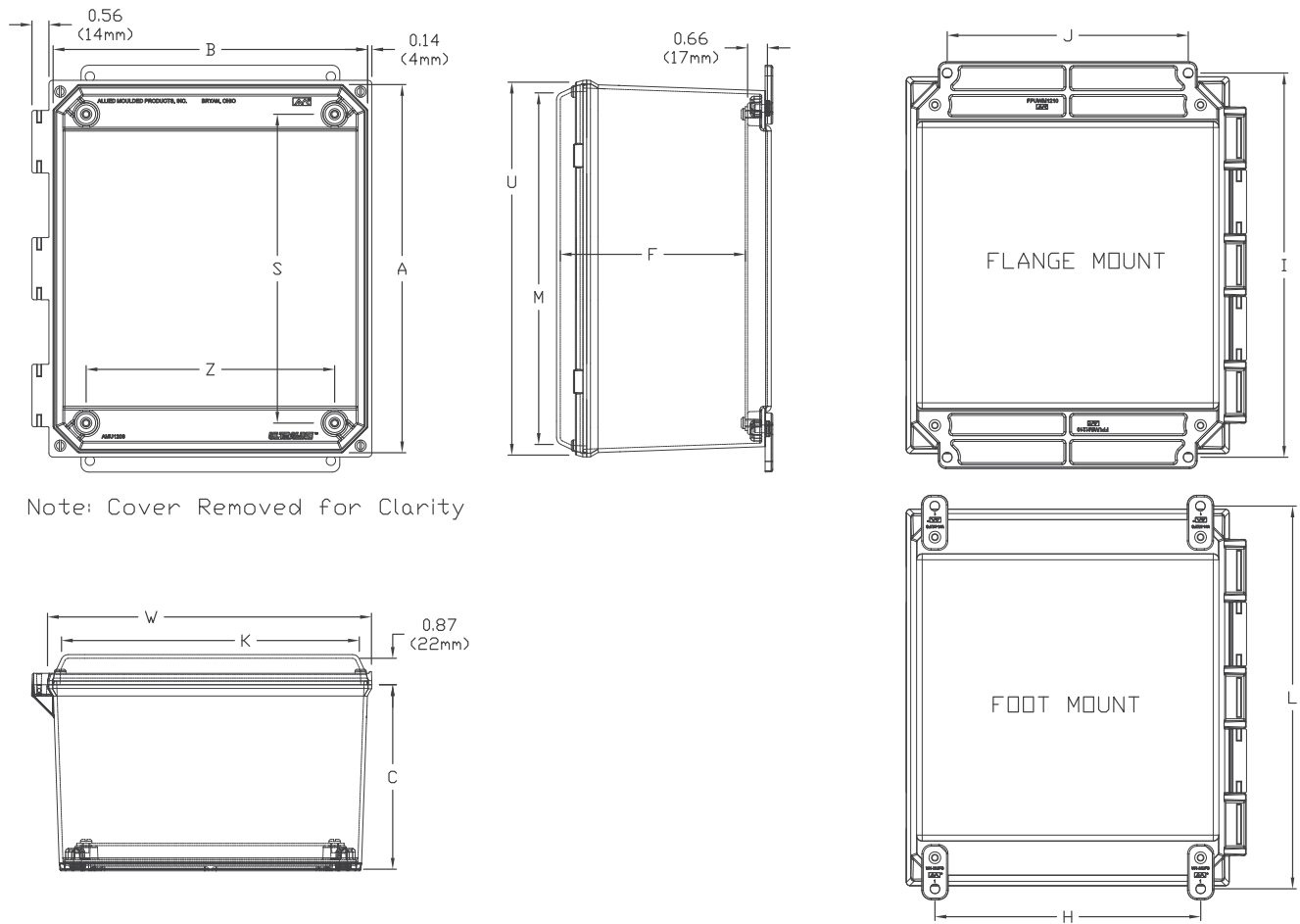
- Compression molded fiberglass reinforced polyester construction with flush, clear polycarbonate cover
- Allied Moulded Ultraguard® fiberglass reinforced polyester material formulation - UV stabilized for outdoor use
- Light gray color (RAL 7035)
- Clear, polycarbonate instrumentation cover
- 300 series stainless steel captive cover screws and hinge pin
- Partially molded hinge
- Gasket made of closed cell neoprene cord encased in a continuous tongue and groove channel
- Polycarbonate flanges (installed) or mounting feet (bagged) with four 300 series stainless steel screws
- 10-32 threaded brass inserts are installed for back panel mounting

ACCESSORIES

- Optional back panels and hinged front panels
- Optional thermal management products

MODIFICATIONS

- Custom holes and cutouts
- Molded-in color matches
- EMI/RFI shielding
- Factory-supplied silk screening



Note: Cover Removed for Clarity

Part No.	Box Size			Usable Depth F	Panel Boss Centers		Panel Sizes		Flange Mount Centers		Foot Mount Centers		Cover Size				Nom. Wall Thickness
	A	B	C		S	Z	Height	Width	J	I	H	L	K	M	W	U	
AMU664CCH(F*)	6.05 154mm	6.27 159mm	4.13 105mm	4.11 104mm	4.25 108mm	4.25 108mm	4.81 122mm	4.81 122mm	4.00 102mm	6.88, 6.75 175, 171mm	4.91 125mm	6.75 171mm	5.89 150mm	5.67 144mm	6.72 171mm	6.50 165mm	0.13 3mm
AMU864CCH(F*)	8.05 204mm	6.27 159mm	4.13 105mm	4.11 104mm	6.25 159mm	4.25 108mm	6.75 171mm	4.88 124mm	4.00 102mm	8.88, 8.75 226, 222mm	4.91 125mm	8.75 222mm	5.89 150mm	7.67 195mm	6.72 171mm	8.50 216mm	0.13 3mm
AMU1084CCH(F*)	10.05 255mm	8.27 210mm	4.13 105mm	4.11 104mm	8.25 210mm	6.25 159mm	8.75 222mm	6.88 175mm	6.00 152mm	10.75 273mm	6.91 176mm	10.75 273mm	7.89 200mm	9.67 246mm	8.72 221mm	10.50 267mm	0.13 3mm
AMU1206CCH(F*)	12.05 306mm	10.27 261mm	6.13 156mm	6.11 155mm	10.25 260mm	8.25 210mm	10.75 273mm	8.88 226mm	8.00 203mm	12.75 324mm	8.82 224mm	12.70 323mm	9.89 251mm	11.67 296mm	10.72 272mm	12.50 318mm	0.13 3mm
AMU1426CCH(F*)	14.05 357mm	12.27 312mm	6.13 156mm	6.11 155mm	12.25 311mm	10.25 260mm	12.75 324mm	10.88 276mm	10.00 254mm	14.75, 14.62 375, 371mm	10.82 275mm	14.70 373mm	11.89 302mm	13.67 347mm	12.72 323mm	14.50 368mm	0.13 3mm
AMU1648CCH(F*)	16.05 408mm	14.27 362mm	8.13 207mm	8.11 206mm	14.25 362mm	12.25 311mm	14.75 375mm	12.88 327mm	12.00 305mm	16.75 425mm	11.47 291mm	16.91 430mm	13.89 353mm	15.67 398mm	14.72 374mm	16.50 419mm	0.14 4mm

*Enclosure base part numbers come standard with 4 separately bagged feet (ex. AMU664CCH)

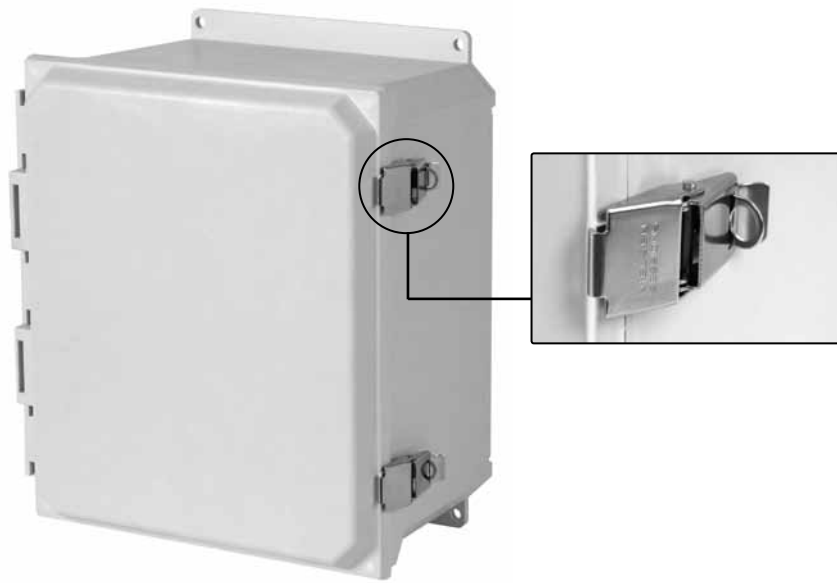
Add "F" to the part number for factory installed flanges (ex. AMU664CCHF)

"I" dimensions with multiple numbers indicate slotted holes

All dimensions are in inches unless otherwise noted



Order Today: 419-636-4217, Fax: 419-636-2450, e-mail: sales@alliedmoulded.com



AMU Series JIC Size Junction Boxes: Snap Latch Hinged Cover - Solid/Opaque

APPLICATION

- Designed to insulate and protect controls and components in both indoor and outdoor applications often found in oil refineries, waste water treatment equipment, and chemical plants
- Especially well suited for high temperature or corrosive environments
- Protects from dirt, dust, oil, and water
- For use with industrial control equipment in ordinary locations

STANDARDS

- UL Types 1, 2, 3, 4, 4X, 12, and 13
- CSA Types 1, 2, 3, 3R, 4, 4X, 12 and 13
- NEMA Types 1, 2, 3, 3R, 4, 4X, 12 and 13
- IEC 60529 Type IP66
- Enclosure flammability rating per UL@ 50
- Joint Industrial Council (JIC) enclosure sizing
- Compliant with RoHS directive (Restriction of Hazardous Substances)

CONSTRUCTION

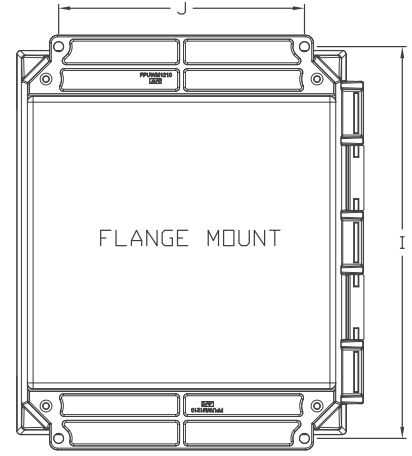
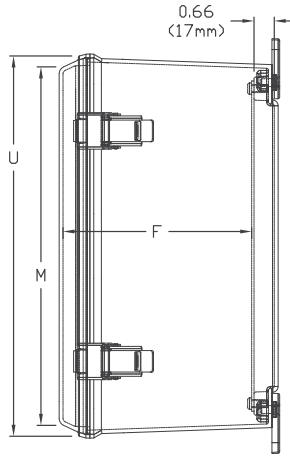
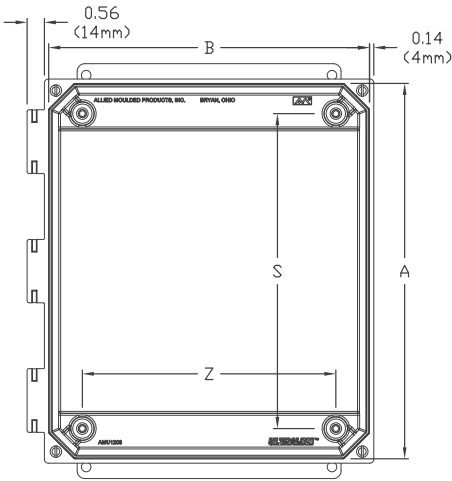
- Compression molded fiberglass reinforced polyester construction with flush, solid/opaque cover
- Allied Moulded Ultraguard® fiberglass reinforced polyester material formulation - UV stabilized for outdoor use
- Light gray color (RAL 7035)
- 300 series stainless steel lockable latches, and hinge pin
- Partially molded hinge and molded latch keeper
- Gasket made of closed cell neoprene cord encased in a continuous tongue and groove channel
- Polycarbonate flanges (installed) or mounting feet (bagged) with four 300 series stainless steel screws
- 10-32 threaded brass inserts are installed for back panel mounting

ACCESSORIES

- Optional back panels and hinged front panels
- Optional thermal management products

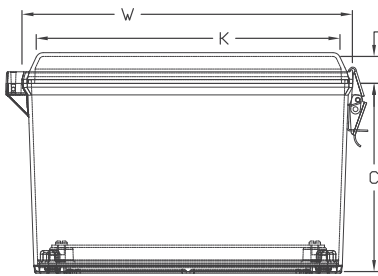
MODIFICATIONS

- Custom holes and cutouts
- Custom size polycarbonate viewing windows
- Molded-in color matches
- EMI/RFI shielding
- Factory-supplied silk screening



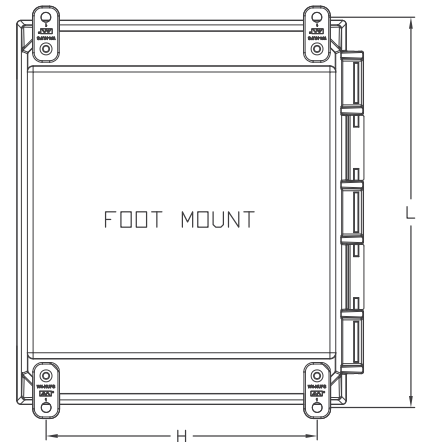
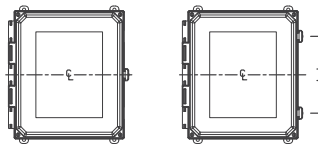
Note: Cover Removed for Clarity

LATCH LOCATIONS



FOR USE ON 6x6x4
8x6x4
10x8x4

FOR USE ON 12x10x6 D=7.50 (191mm)
14x12x6 D=8.00 (203mm)
16x14x8 D=9.00 (229mm)
18x16x10 D=14.56 (370mm)
20x18x8 D=16.81 (427mm)



Part No.	Box Size			Usable Depth F	Panel Boss Centers		Panel Sizes		Flange Mount Centers		Foot Mount Centers		Cover Size				Nom. Wall Thickness
	A	B	C		S	Z	Height	Width	J	I	H	L	K	M	W	U	
AMU664L(F*)	6.05 154mm	6.27 159mm	4.13 105mm	4.11 104mm	4.25 108mm	4.25 108mm	4.81 122mm	4.81 122mm	4.00 102mm	6.88, 6.75 175, 171mm	4.91 125mm	6.75 171mm	5.89 150mm	5.67 144mm	6.72 171mm	6.50 165mm	0.13 3mm
AMU864L(F*)	8.05 204mm	6.27 159mm	4.13 105mm	4.11 104mm	6.25 159mm	4.25 108mm	6.75 171mm	4.88 124mm	4.00 102mm	8.88, 8.75 226, 222mm	4.91 125mm	8.75 222mm	5.89 150mm	7.67 195mm	6.72 171mm	8.50 216mm	0.13 3mm
AMU1084L(F*)	10.05 255mm	8.27 210mm	4.13 105mm	4.11 104mm	8.25 210mm	6.25 159mm	8.75 222mm	6.88 175mm	6.00 152mm	10.75 273mm	6.91 176mm	10.75 273mm	7.89 200mm	9.67 246mm	8.72 221mm	10.50 267mm	0.13 3mm
AMU1206L(F*)	12.05 306mm	10.27 261mm	6.13 156mm	6.11 155mm	10.25 260mm	8.25 210mm	10.75 273mm	8.88 226mm	8.00 203mm	12.75, 14.62 324mm	8.82 224mm	12.70 323mm	9.89 251mm	11.67 296mm	10.72 272mm	12.50 318mm	0.13 3mm
AMU1426L(F*)	14.05 357mm	12.27 312mm	6.13 156mm	6.11 155mm	12.25 311mm	10.25 260mm	12.75 324mm	10.88 276mm	10.00 254mm	14.75, 14.62 375, 371mm	10.82 275mm	14.70 373mm	11.89 302mm	13.67 347mm	12.72 323mm	14.50 368mm	0.13 3mm
AMU1648L(F*)	16.05 408mm	14.27 362mm	8.13 207mm	8.11 206mm	14.25 362mm	12.25 311mm	14.75 375mm	12.88 327mm	12.00 305mm	16.75 425mm	11.47 291mm	16.91 430mm	13.89 353mm	15.67 398mm	14.72 374mm	16.50 419mm	0.14 4mm
AMU1860L(F*)	18.12 460mm	16.34 415mm	10.13 257mm	10.10 257mm	16.25 413mm	14.25 362mm	16.88 429mm	14.88 378mm	12.00 305mm	18.88, 18.76 480, 477mm	13.72 348mm	19.16 487mm	16.14 410mm	17.92 455mm	16.97 431mm	18.75 476mm	0.19 5mm
AMU2060L(F*)	19.87 505mm	16.09 409mm	10.13 257mm	10.10 257mm	17.81 452mm	13.81 351mm	18.44 468mm	14.44 367mm	10.00 254mm	21.25 540mm	13.16 334mm	20.53 521mm	15.89 404mm	19.67 500mm	16.72 425mm	20.50 521mm	0.19 5mm

*Enclosure base part numbers come standard with 4 separately bagged feet (ex. AMU664L)

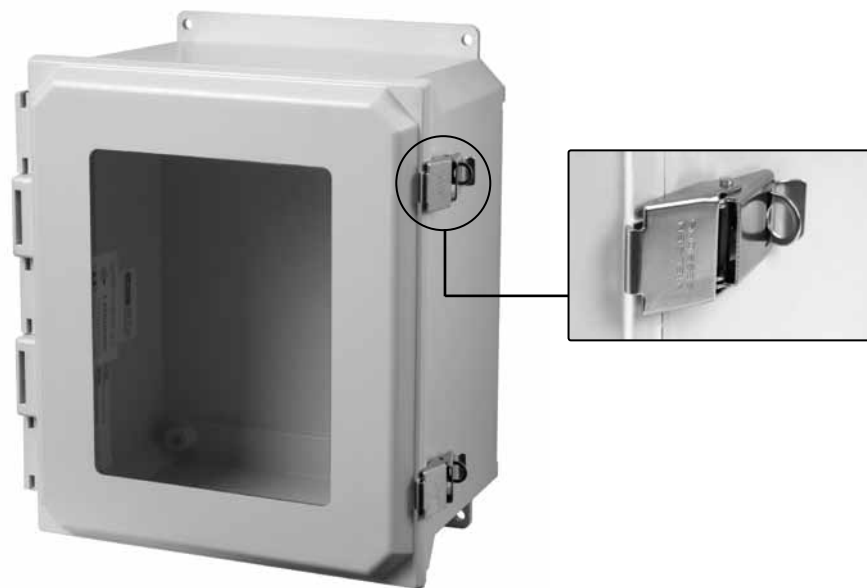
Add "F" to the part number for factory installed flanges (ex. AMU664LF)

"I" dimensions with multiple numbers indicate slotted holes

All dimensions are in inches unless otherwise noted



Order Today: 419-636-4217, Fax: 419-636-2450, e-mail: sales@alliedmoulded.com



AMU Series JIC Size Junction Boxes: Snap Latch Hinged Cover with Window

APPLICATION

- Designed to insulate and protect controls and components in both indoor and outdoor applications often found in oil refineries, waste water treatment equipment, and chemical plants
- Especially well suited for high temperature or corrosive environments
- Protects from dirt, dust, oil, and water
- For use with industrial control equipment in ordinary locations
- Clear/polycarbonate, viewing window used in applications where critical electronic equipment must be visible and protected from the elements

STANDARDS

- UL Types 1, 2, 3, 4, 4X, 12, and 13
- CSA Types 1, 2, 3, 3R, 4, 4X, 12 and 13
- NEMA Types 1, 2, 3, 3R, 4, 4X, 12 and 13
- IEC 60529 Type IP66
- Enclosure flammability rating per UL® 50
- Joint Industrial Council (JIC) enclosure sizing
- Compliant with RoHS directive (Restriction of Hazardous Substances)

CONSTRUCTION

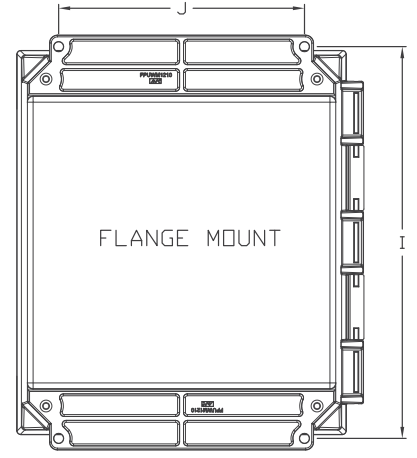
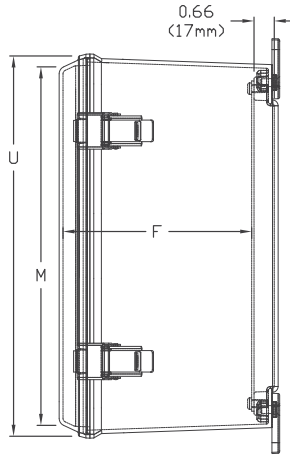
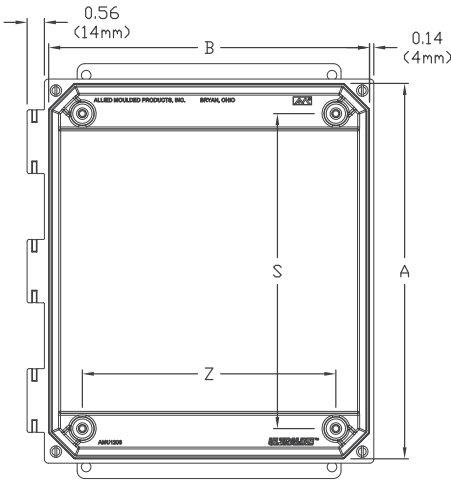
- Compression molded fiberglass reinforced polyester construction with flush, viewing window cover
- Allied Moulded Ultraguard® fiberglass reinforced polyester material formulation - UV stabilized for outdoor use
- Light gray color (RAL 7035)
- Clear, polycarbonate viewing window cover
- 300 series stainless steel lockable latches, and hinge pin
- Partially molded hinge and molded latch keeper
- Gasket made of closed cell neoprene cord encased in a continuous tongue and groove channel
- Polycarbonate flanges (installed) or mounting feet (bagged) with four 300 series stainless steel screws
- 10-32 threaded brass inserts are installed for back panel mounting

ACCESSORIES

- Optional back panels and hinged front panels
- Optional thermal management products

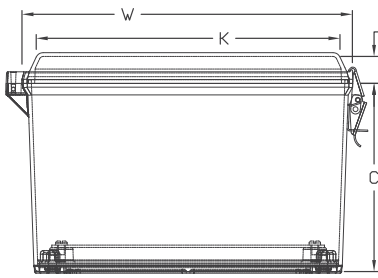
MODIFICATIONS

- Custom holes and cutouts
- Molded-in color matches
- EMI/RFI shielding
- Factory-supplied silk screening



Note: Cover Removed for Clarity

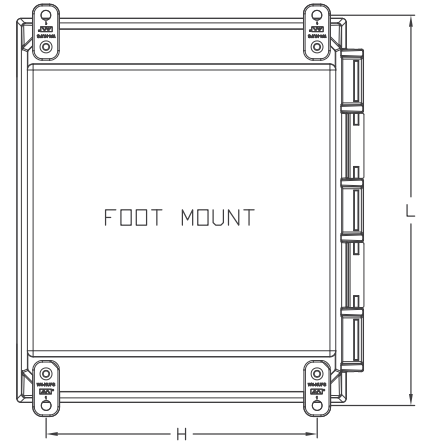
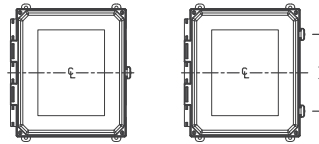
LATCH LOCATIONS



0.87 (22mm)

FOR USE ON 6x6x4
8x6x4
10x8x4

FOR USE ON 12x10x6 D=7.50 (191mm)
14x12x6 D=8.00 (203mm)
16x14x8 D=9.00 (229mm)
18x16x10 D=14.56 (370mm)
20x18x8 D=16.81 (427mm)



Part No.	Box Size			Usable Depth	Panel Boss Centers		Panel Sizes		Flange Mount Centers		Foot Mount Centers		Cover Size				Nom. Wall Thick.	Window Dimension (height x width)
	A	B	C		F	S	Z	Height	Width	J	I	H	L	K	M	W		
AMU664LW(F*)	6.05 154mm	6.27 159mm	4.13 105mm	4.11 104mm	4.25 108mm	4.25 108mm	4.81 122mm	4.81 122mm	4.00 102mm	6.88, 6.75 175, 171mm	4.91 125mm	6.75 171mm	5.89 150mm	5.67 144mm	6.72 171mm	6.50 165mm	0.13 3mm	3.50 x 3.50 90mm x 90mm
AMU864LW(F*)	8.05 204mm	6.27 159mm	4.13 105mm	4.11 104mm	6.25 159mm	4.25 108mm	6.75 171mm	4.88 124mm	4.00 102mm	8.88, 8.75 226, 222mm	4.91 125mm	8.75 222mm	5.89 150mm	7.67 195mm	6.72 171mm	8.50 216mm	0.13 3mm	5.25 x 4.00 133mm x 102mm
AMU1084LW(F*)	10.05 255mm	8.27 210mm	4.13 105mm	4.11 104mm	8.25 210mm	6.25 159mm	8.75 222mm	6.88 175mm	6.00 152mm	10.75 273mm	6.91 176mm	10.75 273mm	7.89 200mm	9.67 246mm	8.72 221mm	10.50 267mm	0.13 3mm	6.25 x 4.25 159mm x 108mm
AMU1206LW(F*)	12.05 306mm	10.27 261mm	6.13 156mm	6.11 155mm	10.25 260mm	8.25 210mm	10.75 273mm	8.88 226mm	8.00 203mm	12.75 324mm	8.82 224mm	12.70 323mm	9.89 251mm	11.67 296mm	10.72 272mm	12.50 318mm	0.13 3mm	8.38 x 6.50 213mm x 165mm
AMU1426LW(F*)	14.05 357mm	12.27 312mm	6.13 156mm	6.11 155mm	12.25 311mm	10.25 260mm	12.75 324mm	10.88 276mm	10.00 254mm	14.75, 14.62 375, 371mm	10.82 275mm	14.70 373mm	11.89 302mm	13.67 347mm	12.72 323mm	14.50 368mm	0.13 3mm	10.38 x 8.50 264mm x 216mm
AMU1648LW(F*)	16.05 408mm	14.27 362mm	8.13 207mm	8.11 206mm	14.25 362mm	12.25 311mm	14.75 375mm	12.88 327mm	12.00 305mm	16.75 425mm	11.47 291mm	16.91 430mm	13.89 353mm	15.67 398mm	14.72 374mm	16.50 419mm	0.14 4mm	12.38 x 10.50 314mm x 267mm
AMU1860LW(F*)	18.12 460mm	16.34 415mm	10.13 257mm	10.10 257mm	16.25 413mm	14.25 362mm	16.88 429mm	14.88 378mm	12.00 305mm	18.88, 18.76 480, 477mm	13.72 348mm	19.16 487mm	16.14 410mm	17.92 455mm	16.97 431mm	18.75 476mm	0.19 5mm	13.00 x 11.00 330mm x 279mm
AMU2060LW(F*)	19.87 505mm	16.09 409mm	10.13 257mm	10.10 257mm	17.81 452mm	13.81 351mm	18.44 468mm	14.44 367mm	10.00 254mm	21.25 540mm	13.16 334mm	20.53 521mm	15.89 404mm	19.67 500mm	16.72 425mm	20.50 521mm	0.19 5mm	14.00 x 12.00 356mm x 305mm

*Enclosure base part numbers come standard with 4 separately bagged feet (ex. AMU664LW)

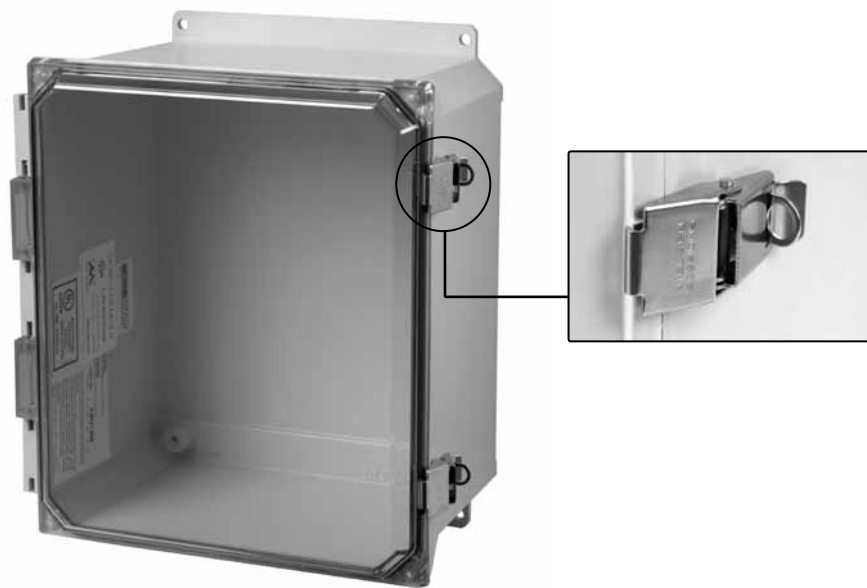
Add "F" to the part number for factory installed flanges (ex. AMU664LWF)

"I" dimensions with multiple numbers indicate slotted holes

All dimensions are in inches unless otherwise noted



Order Today: 419-636-4217, Fax: 419-636-2450, e-mail: sales@alliedmoulded.com



AMU Series JIC Size Junction Boxes: Snap Latch Hinged Cover - Clear Polycarbonate

APPLICATION

- Designed to insulate and protect controls and components in both indoor and outdoor applications often found in oil refineries, waste water treatment equipment, and chemical plants
- Especially well suited for high temperature or corrosive environments
- Protects from dirt, dust, oil, and water
- For use with industrial control equipment in ordinary locations
- Clear/polycarbonate, instrumentation cover used in applications where critical electronic equipment must be visible and protected from the elements

STANDARDS

- UL Types 1, 2, 3, 4, 4X, 12, and 13
- CSA Types 1, 2, 3, 3R, 4, 4X, 12 and 13
- NEMA Types 1, 2, 3, 3R, 4, 4X, 12 and 13
- IEC 60529 Type IP66
- Enclosure flammability rating per UL® 50
- Joint Industrial Council (JIC) enclosure sizing
- Compliant with RoHS directive (Restriction of Hazardous Substances)

CONSTRUCTION

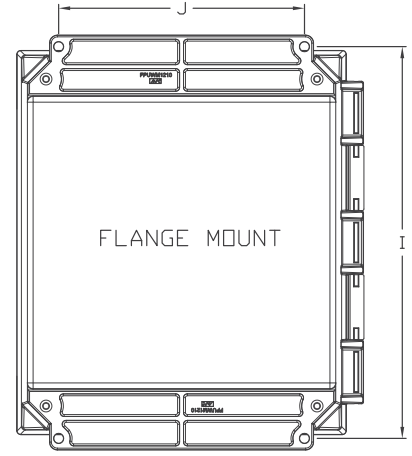
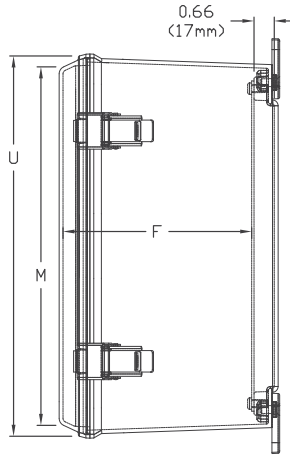
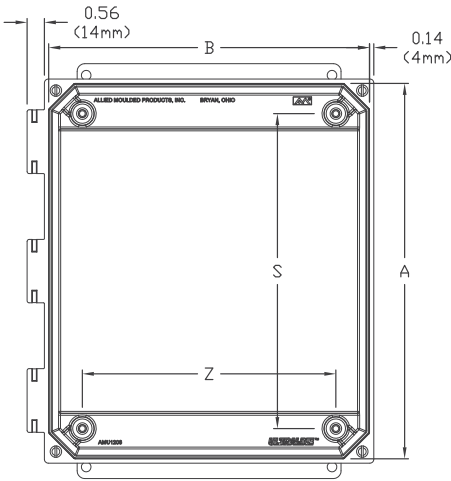
- Compression molded fiberglass reinforced polyester construction with flush, clear polycarbonate cover
- Allied Moulded Ultraguard® fiberglass reinforced polyester material formulation - UV stabilized for outdoor use
- Light gray color (RAL 7035)
- Clear, polycarbonate instrumentation cover
- 300 series stainless steel lockable latches, and hinge pin
- Partially molded hinge and molded latch keeper
- Gasket made of closed cell neoprene cord encased in a continuous tongue and groove channel
- Polycarbonate flanges (installed) or mounting feet (bagged) with four 300 series stainless steel screws
- 10-32 threaded brass inserts are installed for back panel mounting

ACCESSORIES

- Optional back panels and hinged front panels
- Optional thermal management products

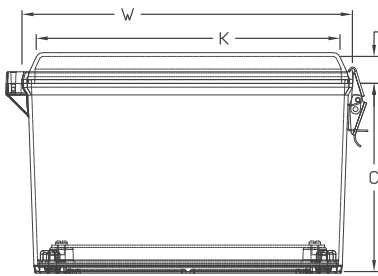
MODIFICATIONS

- Custom holes and cutouts
- Molded-in color matches
- EMI/RFI shielding
- Factory-supplied silk screening



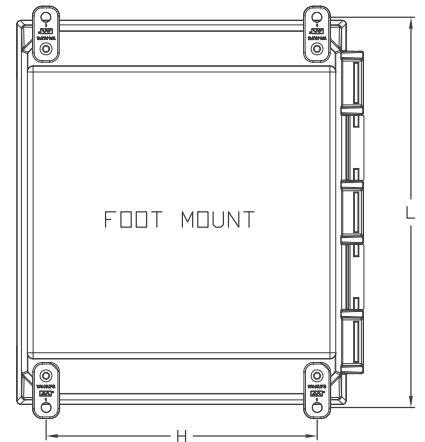
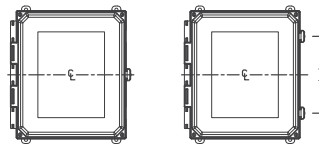
Note: Cover Removed for Clarity

LATCH LOCATIONS



FOR USE ON 6x6x4
8x6x4
10x8x4

FOR USE ON 12x10x6 D=7.50 (191mm)
14x12x6 D=8.00 (203mm)
16x14x8 D=9.00 (229mm)
18x16x10 D=14.56 (370mm)
20x18x8 D=16.81 (427mm)



Part No.	Box Size			Usable Depth F	Panel Boss Centers		Panel Sizes		Flange Mount Centers		Foot Mount Centers		Cover Size				Nom. Wall Thickness
	A	B	C		S	Z	Height	Width	J	I	H	L	K	M	W	U	
AMU664CCL(F*)	6.05 154mm	6.27 159mm	4.13 105mm	4.11 104mm	4.25 108mm	4.25 108mm	4.81 122mm	4.81 122mm	4.00 102mm	6.88, 6.75 175, 171mm	4.91 125mm	6.75 171mm	5.89 150mm	5.67 144mm	6.72 171mm	6.50 165mm	0.13 3mm
AMU864CCL(F*)	8.05 204mm	6.27 159mm	4.13 105mm	4.11 104mm	6.25 159mm	4.25 108mm	6.75 171mm	4.88 124mm	4.00 102mm	8.88, 8.75 226, 222mm	4.91 125mm	8.75 222mm	5.89 150mm	7.67 195mm	6.72 171mm	8.50 216mm	0.13 3mm
AMU1084CCL(F*)	10.05 255mm	8.27 210mm	4.13 105mm	4.11 104mm	8.25 210mm	6.25 159mm	8.75 222mm	6.88 175mm	6.00 152mm	10.75 273mm	6.91 176mm	10.75 273mm	7.89 200mm	9.67 246mm	8.72 221mm	10.50 267mm	0.13 3mm
AMU1206CCL(F*)	12.05 306mm	10.27 261mm	6.13 156mm	6.11 155mm	10.25 260mm	8.25 210mm	10.75 273mm	8.88 226mm	8.00 203mm	12.75 324mm	8.82 224mm	12.70 323mm	9.89 251mm	11.67 296mm	10.72 272mm	12.50 318mm	0.13 3mm
AMU1426CCL(F*)	14.05 357mm	12.27 312mm	6.13 156mm	6.11 155mm	12.25 311mm	10.25 260mm	12.75 324mm	10.88 276mm	10.00 254mm	14.75, 14.62 375, 371mm	10.82 275mm	14.70 373mm	11.89 302mm	13.67 347mm	12.72 323mm	14.50 368mm	0.13 3mm
AMU1648CCL(F*)	16.05 408mm	14.27 362mm	8.13 207mm	8.11 206mm	14.25 362mm	12.25 311mm	14.75 375mm	12.88 327mm	12.00 305mm	16.75 425mm	11.47 291mm	16.91 430mm	13.89 353mm	15.67 398mm	14.72 374mm	16.50 419mm	0.14 4mm

*Enclosure base part numbers come standard with 4 separately bagged feet (ex. AMU664CCL)

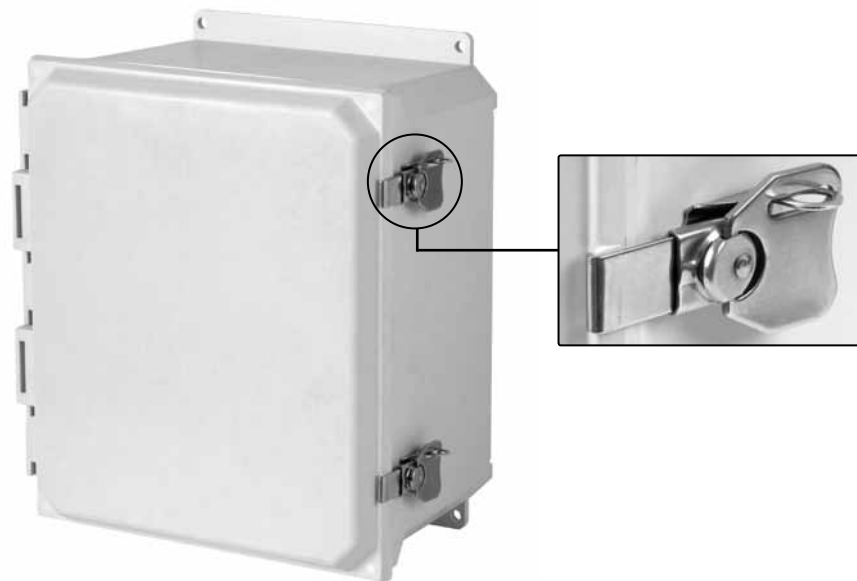
Add "F" to the part number for factory installed flanges (ex. AMU664CCLF)

"I" dimensions with multiple numbers indicate slotted holes

All dimensions are in inches unless otherwise noted



Order Today: 419-636-4217, Fax: 419-636-2450, e-mail: sales@alliedmoulded.com



AMU Series JIC Size Junction Boxes: Twist Latch Hinged Cover - Solid/Opaque

APPLICATION

- Designed to insulate and protect controls and components in both indoor and outdoor applications often found in oil refineries, waste water treatment equipment, and chemical plants
- Especially well suited for high temperature or corrosive environments
- Protects from dirt, dust, oil, and water
- For use with industrial control equipment in ordinary locations

STANDARDS

- UL Types 1, 2, 3, 4, 4X, 12, and 13
- CSA Types 1, 2, 3, 3R, 4, 4X, 12 and 13
- NEMA Types 1, 2, 3, 3R, 4, 4X, 12 and 13
- IEC 60529 Type IP66
- Enclosure flammability rating per UL® 50
- Joint Industrial Council (JIC) enclosure sizing
- Compliant with RoHS directive (Restriction of Hazardous Substances)

CONSTRUCTION

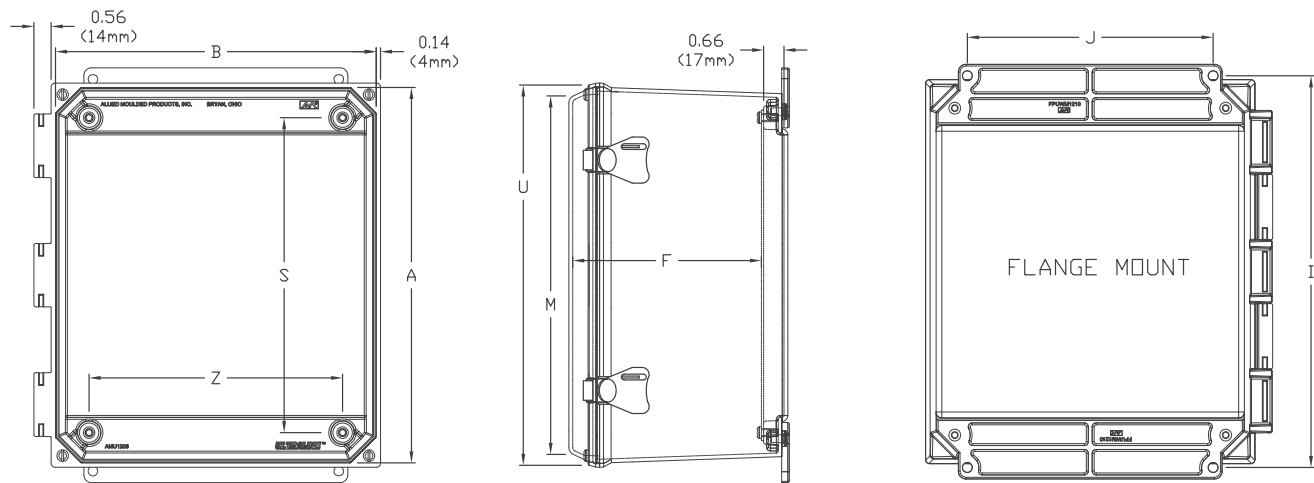
- Compression molded fiberglass reinforced polyester construction with flush, solid/opaque cover
- Allied Moulded Ultraguard® fiberglass reinforced polyester material formulation - UV stabilized for outdoor use
- Light gray color (RAL 7035)
- 300 series stainless steel lockable latches, and hinge pin
- Partially molded hinge and molded latch keeper
- Gasket made of closed cell neoprene cord encased in a continuous tongue and groove channel
- Polycarbonate flanges (installed) or mounting feet (bagged) with four 300 series stainless steel screws
- 10-32 threaded brass inserts are installed for back panel mounting

ACCESSORIES

- Optional back panels and hinged front panels
- Optional thermal management products

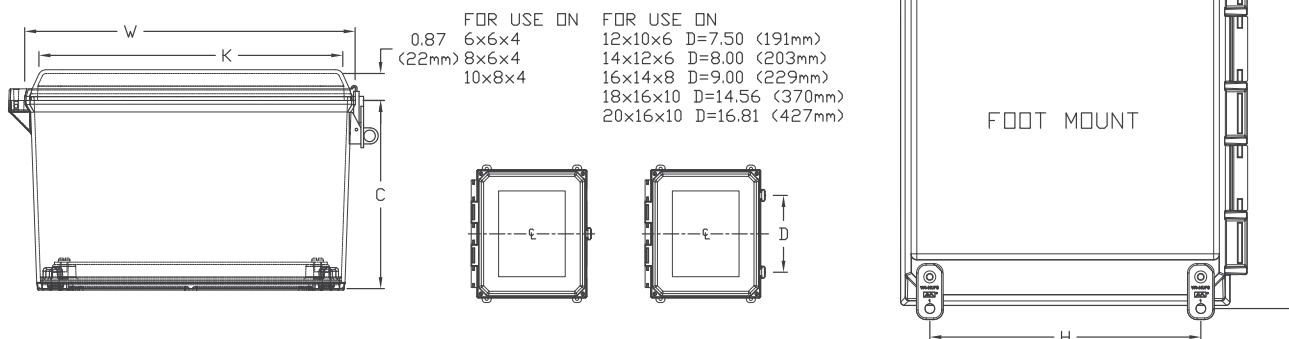
MODIFICATIONS

- Custom holes and cutouts
- Custom size polycarbonate viewing windows
- Molded-in color matches
- EMI/RFI shielding
- Factory-supplied silk screening



Note: Cover Removed for Clarity

LATCH LOCATIONS

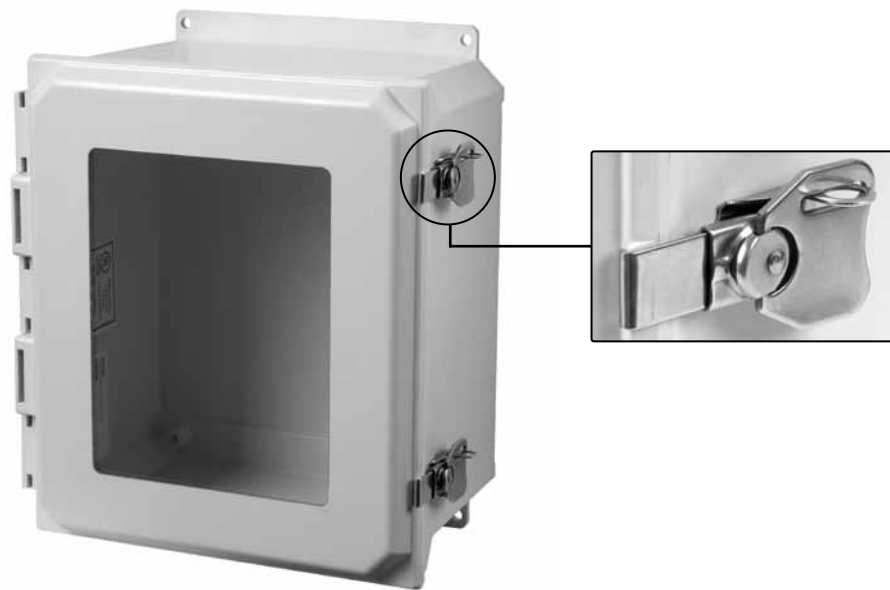


Part No.	Box Size			Usable Depth F	Panel Boss Centers		Panel Sizes		Flange Mount Centers		Foot Mount Centers		Cover Size				Nom. Wall Thickness
	A	B	C		S	Z	Height	Width	J	I	H	L	K	M	W	U	
AMU664T(F*)	6.05 154mm	6.27 159mm	4.13 105mm	4.11 104mm	4.25 108mm	4.25 108mm	4.81 122mm	4.81 122mm	4.00 102mm	6.88, 6.75 175, 171mm	4.91 125mm	6.75 171mm	5.89 150mm	5.67 144mm	6.72 171mm	6.50 165mm	0.13 3mm
AMU864T(F*)	8.05 204mm	6.27 159mm	4.13 105mm	4.11 104mm	6.25 159mm	4.25 108mm	6.75 171mm	4.88 124mm	4.00 102mm	8.88, 8.75 226, 222mm	4.91 125mm	8.75 222mm	5.89 150mm	7.67 195mm	6.72 171mm	8.50 216mm	0.13 3mm
AMU1084T(F*)	10.05 255mm	8.27 210mm	4.13 105mm	4.11 104mm	8.25 210mm	6.25 159mm	8.75 222mm	6.88 175mm	6.00 152mm	10.75 273mm	6.91 176mm	10.75 273mm	7.89 200mm	9.67 246mm	8.72 221mm	10.50 267mm	0.13 3mm
AMU1206T(F*)	12.05 306mm	10.27 261mm	6.13 156mm	6.11 155mm	10.25 260mm	8.25 210mm	10.75 273mm	8.88 226mm	8.00 203mm	12.75 324mm	8.82 224mm	12.70 323mm	9.89 251mm	11.67 296mm	10.72 272mm	12.50 318mm	0.13 3mm
AMU1426T(F*)	14.05 357mm	12.27 312mm	6.13 156mm	6.11 155mm	12.25 311mm	10.25 260mm	12.75 324mm	10.88 276mm	10.00 254mm	14.75, 14.62 375, 371mm	10.82 275mm	14.70 373mm	11.89 302mm	13.67 347mm	12.72 323mm	14.50 368mm	0.13 3mm
AMU1648T(F*)	16.05 408mm	14.27 362mm	8.13 207mm	8.11 206mm	14.25 362mm	12.25 311mm	14.75 375mm	12.88 327mm	12.00 305mm	16.75 425mm	11.47 291mm	16.91 430mm	13.89 353mm	15.67 398mm	14.72 374mm	16.50 419mm	0.14 4mm
AMU1860T(F*)	18.12 460mm	16.34 415mm	10.13 257mm	10.10 257mm	16.25 413mm	14.25 362mm	16.88 429mm	14.88 378mm	12.00 305mm	18.88, 18.76 480, 477mm	13.72 348mm	19.16 487mm	16.14 410mm	17.92 455mm	16.97 431mm	18.75 476mm	0.19 5mm
AMU2060T(F*)	19.87 505mm	16.09 409mm	10.13 257mm	10.10 257mm	17.81 452mm	13.81 351mm	18.44 468mm	14.44 367mm	10.00 254mm	21.25 540mm	13.16 334mm	20.53 521mm	15.89 404mm	19.67 500mm	16.72 425mm	20.50 521mm	0.19 5mm

*Enclosure base part numbers come standard with 4 separately bagged feet (ex. AMU664T)
 Add "F" to the part number for factory installed flanges (ex. AMU664TF)
 "I" dimensions with multiple numbers indicate slotted holes
 All dimensions are in inches unless otherwise noted



Order Today: 419-636-4217, Fax: 419-636-2450, e-mail: sales@alliedmoulded.com



AMU Series JIC Size Junction Boxes: Twist Latch Hinged Cover with Window

APPLICATION

- Designed to insulate and protect controls and components in both indoor and outdoor applications often found in oil refineries, waste water treatment equipment, and chemical plants
- Especially well suited for high temperature or corrosive environments
- Protects from dirt, dust, oil, and water
- For use with industrial control equipment in ordinary locations
- Clear/polycarbonate, viewing window cover used in applications where critical electronic equipment must be visible and protected from the elements

STANDARDS

- UL Types 1, 2, 3, 4, 4X, 12, and 13
- CSA Types 1, 2, 3, 3R, 4, 4X, 12 and 13
- NEMA Types 1, 2, 3, 3R, 4, 4X, 12 and 13
- IEC 60529 Type IP66
- Enclosure flammability rating per UL® 50
- Joint Industrial Council (JIC) enclosure sizing
- Compliant with RoHS directive (Restriction of Hazardous Substances)

CONSTRUCTION

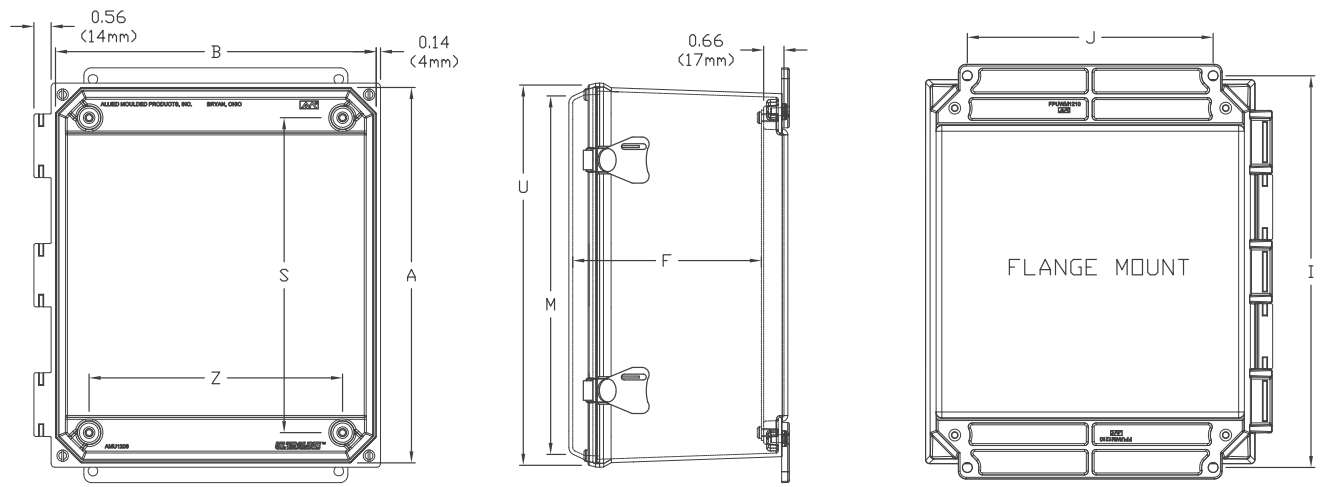
- Compression molded fiberglass reinforced polyester construction with flush, viewing window cover
- Allied Moulded Ultraguard® fiberglass reinforced polyester material formulation - UV stabilized for outdoor use
- Light gray color (RAL 7035)
- Clear, polycarbonate viewing window cover
- 300 series stainless steel lockable latches, and hinge pin
- Partially molded hinge and molded latch keeper
- Gasket made of closed cell neoprene cord encased in a continuous tongue and groove channel
- Polycarbonate flanges (installed) or mounting feet (bagged) with four 300 series stainless steel screws
- 10-32 threaded brass inserts are installed for back panel mounting

ACCESSORIES

- Optional back panels and hinged front panels
- Optional thermal management products

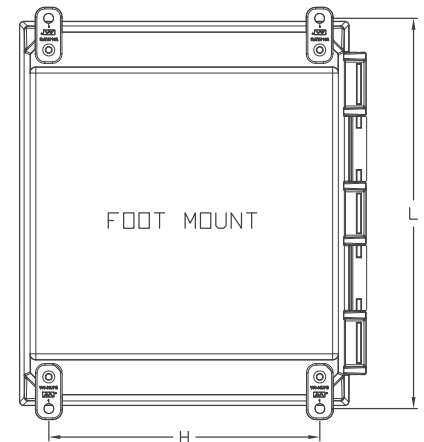
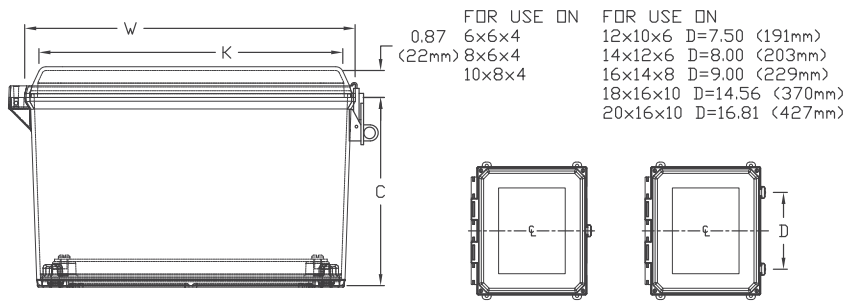
MODIFICATIONS

- Custom holes and cutouts
- Molded-in color matches
- EMI/RFI shielding
- Factory-supplied silk screening



Note: Cover Removed for Clarity

LATCH LOCATIONS



Part No.	Box Size			Usable Depth F	Panel Boss Centers		Panel Sizes		Flange Mount Centers		Foot Mount Centers		Cover Size				Nom. Wall Thick.	Window Dimension (height x width)
	A	B	C		S	Z	Height	Width	J	I	H	L	K	M	W	U		
AMU664TW(F*)	6.05 154mm	6.27 159mm	4.13 105mm	4.11 104mm	4.25 108mm	4.25 108mm	4.81 122mm	4.81 122mm	4.00 102mm	6.88, 6.75 175, 171mm	4.91 125mm	6.75 171mm	5.89 150mm	5.67 144mm	6.72 171mm	6.50 165mm	0.13 3mm	3.50 x 3.50 90mm x 90mm
AMU864TW(F*)	8.05 204mm	6.27 159mm	4.13 105mm	4.11 104mm	6.25 159mm	4.25 108mm	6.75 171mm	4.88 124mm	4.00 102mm	8.88, 8.75 226, 222mm	4.91 125mm	8.75 222mm	5.89 150mm	7.67 195mm	6.72 171mm	8.50 216mm	0.13 3mm	5.25 x 4.00 133mm x 102mm
AMU1084TW(F*)	10.05 255mm	8.27 210mm	4.13 105mm	4.11 104mm	8.25 210mm	6.25 159mm	8.75 222mm	6.88 175mm	6.00 152mm	10.75 273mm	6.91 176mm	10.75 273mm	7.89 200mm	9.67 246mm	8.72 221mm	10.50 267mm	0.13 3mm	6.25 x 4.25 159mm x 108mm
AMU1206TW(F*)	12.05 306mm	10.27 261mm	6.13 156mm	6.11 155mm	10.25 260mm	8.25 210mm	10.75 273mm	8.88 226mm	8.00 203mm	12.75 324mm	8.82 224mm	12.70 323mm	9.89 251mm	11.67 296mm	10.72 272mm	12.50 318mm	0.13 3mm	8.38 x 6.50 213mm x 165mm
AMU1426TW(F*)	14.05 357mm	12.27 312mm	6.13 156mm	6.11 155mm	12.25 311mm	10.25 260mm	12.75 324mm	10.88 276mm	10.00 254mm	14.75, 14.62 375, 371mm	10.82 275mm	14.70 373mm	11.89 302mm	13.67 347mm	12.72 323mm	14.50 368mm	0.13 3mm	10.38 x 8.50 264mm x 216mm
AMU1648TW(F*)	16.05 408mm	14.27 362mm	8.13 207mm	8.11 206mm	14.25 362mm	12.25 311mm	14.75 375mm	12.88 327mm	12.00 305mm	16.75 425mm	11.47 291mm	16.91 430mm	13.89 353mm	15.67 398mm	14.72 374mm	16.50 419mm	0.14 4mm	12.38 x 10.50 314mm x 267mm
AMU1860TW(F*)	18.12 460mm	16.34 415mm	10.13 257mm	10.10 257mm	16.25 413mm	14.25 362mm	16.88 429mm	14.88 378mm	12.00 305mm	18.88, 18.76 480, 477mm	13.72 348mm	19.16 487mm	16.14 410mm	17.92 455mm	16.97 431mm	18.75 476mm	0.19 5mm	13.00 x 11.00 330mm x 279mm
AMU2060TW(F*)	19.87 505mm	16.09 409mm	10.13 257mm	10.10 257mm	17.81 452mm	13.81 351mm	18.44 468mm	14.44 367mm	10.00 254mm	21.25 540mm	13.16 334mm	20.53 521mm	15.89 404mm	19.67 500mm	16.72 425mm	20.50 521mm	0.19 5mm	14.00 x 12.00 356mm x 305mm

*Enclosure base part numbers come standard with 4 separately bagged feet (ex. AMU664TW)

Add "F" to the part number for factory installed flanges (ex. AMU664TWf)

"I" dimensions with multiple numbers indicate slotted holes

All dimensions are in inches unless otherwise noted



Order Today: 419-636-4217, Fax: 419-636-2450, e-mail: sales@alliedmoulded.com



AMU Series JIC Size Junction Boxes: Twist Latch Hinged Cover - Clear Polycarbonate

APPLICATION

- Designed to insulate and protect controls and components in both indoor and outdoor applications often found in oil refineries, waste water treatment equipment, and chemical plants
- Especially well suited for high temperature or corrosive environments
- Protects from dirt, dust, oil, and water
- For use with industrial control equipment in ordinary locations
- Clear/polycarbonate, instrumentation cover used in applications where critical electronic equipment must be visible and protected from the elements

STANDARDS

- UL Types 1, 2, 3, 4, 4X, 12, and 13
- CSA Types 1, 2, 3, 3R, 4, 4X, 12 and 13
- NEMA Types 1, 2, 3, 3R, 4, 4X, 12 and 13
- IEC 60529 Type IP66
- Enclosure flammability rating per UL® 50
- Joint Industrial Council (JIC) enclosure sizing
- Compliant with RoHS directive (Restriction of Hazardous Substances)

CONSTRUCTION

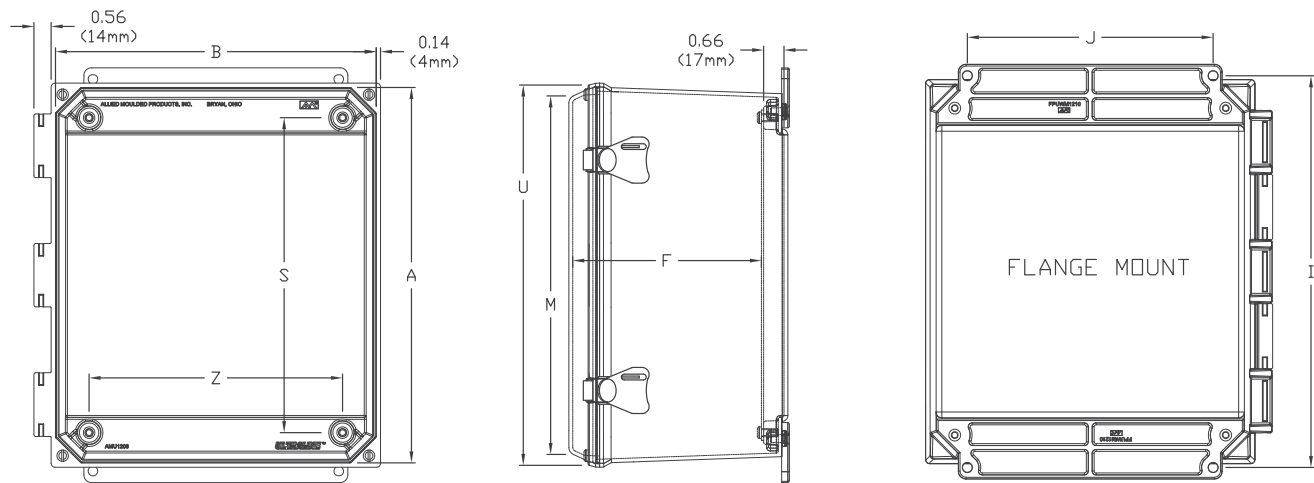
- Compression molded fiberglass reinforced polyester construction with flush, clear polycarbonate cover
- Allied Moulded Ultraguard® fiberglass reinforced polyester material formulation - UV stabilized for outdoor use
- Light gray color (RAL 7035)
- Clear, polycarbonate instrumentation cover
- 300 series stainless steel lockable latches, and hinge pin
- Partially molded hinge and molded latch keeper
- Gasket made of closed cell neoprene cord encased in a continuous tongue and groove channel
- Polycarbonate flanges (installed) or mounting feet (bagged) with four 300 series stainless steel screws
- 10-32 threaded brass inserts are installed for back panel mounting

ACCESSORIES

- Optional back panels and hinged front panels
- Optional thermal management products

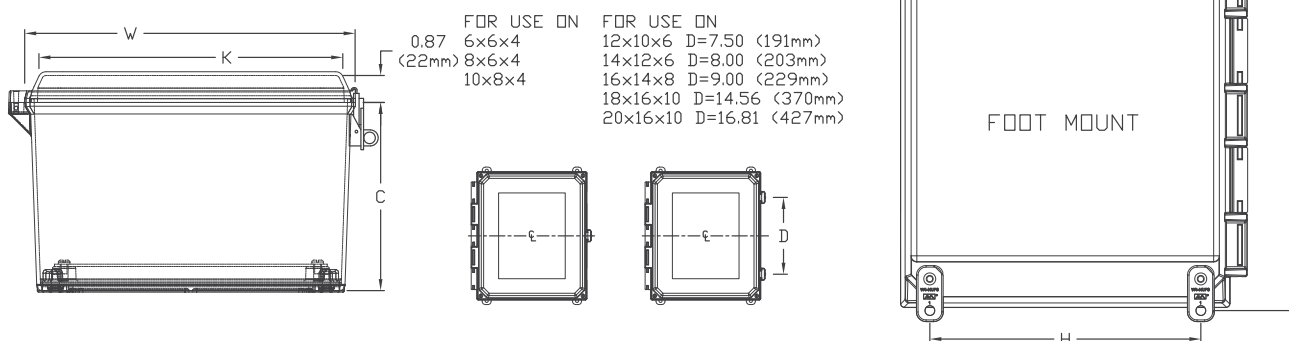
MODIFICATIONS

- Custom holes and cutouts
- Molded-in color matches
- EMI/RFI shielding
- Factory-supplied silk screening



Note: Cover Removed for Clarity

LATCH LOCATIONS

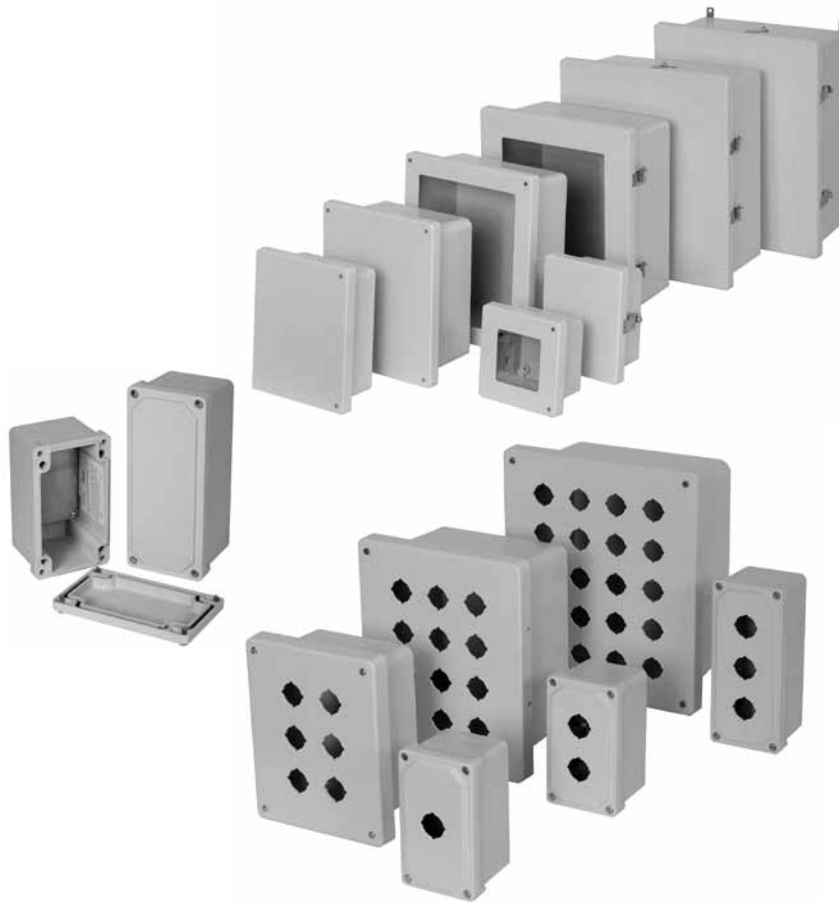


Part No.	Box Size			Usable Depth F	Panel Boss Centers		Panel Sizes		Flange Mount Centers		Foot Mount Centers		Cover Size				Nom. Wall Thickness
	A	B	C		S	Z	Height	Width	J	I	H	L	K	M	W	U	
AMU664CCT(F*)	6.05 154mm	6.27 159mm	4.13 105mm	4.11 104mm	4.25 108mm	4.25 108mm	4.81 122mm	4.81 122mm	4.00 102mm	6.88, 6.75 175, 171mm	4.91 125mm	6.75 171mm	5.89 150mm	5.67 144mm	6.72 171mm	6.50 165mm	0.13 3mm
AMU864CCT(F*)	8.05 204mm	6.27 159mm	4.13 105mm	4.11 104mm	6.25 159mm	4.25 108mm	6.75 171mm	4.88 124mm	4.00 102mm	8.88, 8.75 226, 222mm	4.91 125mm	8.75 222mm	5.89 150mm	7.67 195mm	6.72 171mm	8.50 216mm	0.13 3mm
AMU1084CCT(F*)	10.05 255mm	8.27 210mm	4.13 105mm	4.11 104mm	8.25 210mm	6.25 159mm	8.75 222mm	6.88 175mm	6.00 152mm	10.75 273mm	6.91 176mm	10.75 273mm	7.89 200mm	9.67 246mm	8.72 221mm	10.50 267mm	0.13 3mm
AMU1206CCT(F*)	12.05 306mm	10.27 261mm	6.13 156mm	6.11 155mm	10.25 260mm	8.25 210mm	10.75 273mm	8.88 226mm	8.00 203mm	12.75 324mm	8.82 224mm	12.70 323mm	9.89 251mm	11.67 296mm	10.72 272mm	12.50 318mm	0.13 3mm
AMU1426CCT(F*)	14.05 357mm	12.27 312mm	6.13 156mm	6.11 155mm	12.25 311mm	10.25 260mm	12.75 324mm	10.88 276mm	10.00 254mm	14.75, 14.62 375, 371mm	10.82 275mm	14.70 373mm	11.89 302mm	13.67 347mm	12.72 323mm	14.50 368mm	0.13 3mm
AMU1648CCT(F*)	16.05 408mm	14.27 362mm	8.13 207mm	8.11 206mm	14.25 362mm	12.25 311mm	14.75 375mm	12.88 327mm	12.00 305mm	16.75 425mm	11.47 291mm	16.91 430mm	13.89 353mm	15.67 398mm	14.72 374mm	16.50 419mm	0.14 4mm

*Enclosure base part numbers come standard with 4 separately bagged feet (ex. AMU664CCT)
 Add "F" to the part number for factory installed flanges (ex. AMU664CCTF)
 "I" dimensions with multiple numbers indicate slotted holes
 All dimensions are in inches unless otherwise noted



Order Today: 419-636-4217, Fax: 419-636-2450, e-mail: sales@alliedmoulded.com



AM SERIES

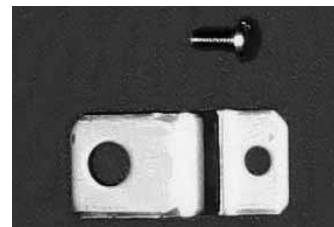
AM Series boxes are designed to insulate and protect controls and components in both indoor and outdoor applications and are especially well suited for high temperature or corrosive environments. They feature flat covers with a variety of latching options that allow you to provide the level of security or ease of access needed for each application.

The AM Series offers a wide variety of sizes and configurations, including:

- Small junction boxes
- Inline pushbutton enclosures in one-, two-, or three-hole configurations and two hole sizes
- Standard JIC size enclosures

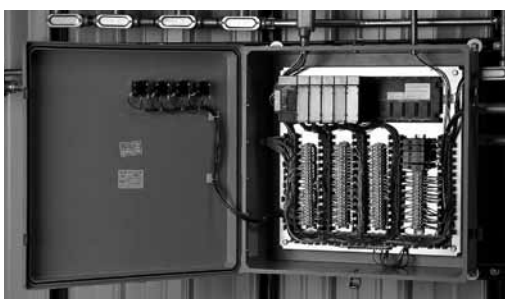
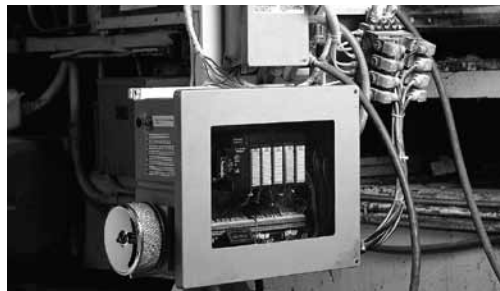
AM Series Features & Benefits

- Molded Ultraguard® fiberglass reinforced polyester material construction for durability
- Continuous 300 series stainless steel hinge
- Closed-cell neoprene gasket encased in continuous channel
- Matching flat cover
- 300 series stainless steel hardware and mounting feet
- Mounting panel inserts for optional back panel
- UV stabilized for outdoor use



Suitable Applications

- Electrical junctions
- Terminal wiring
- Electrical and electronic controls, instruments, components
- Housing pushbuttons, switches and other devices
- Other industrial control equipment



AM Series Specifications

- Non-corrosive
- Non-conductive
- Temperature-resistant
- Fire-resistant
- Rated NEMA 1, 2, 3, 3R, 4, 4X, 12, 13
- UL listed
- CSA certified
- Compliant with RoHS directive

Accessories

- Back panels available in painted carbon steel, aluminum, fiberglass, or galvanized steel
- UV resistant polycarbonate viewing windows
- Thermal management products

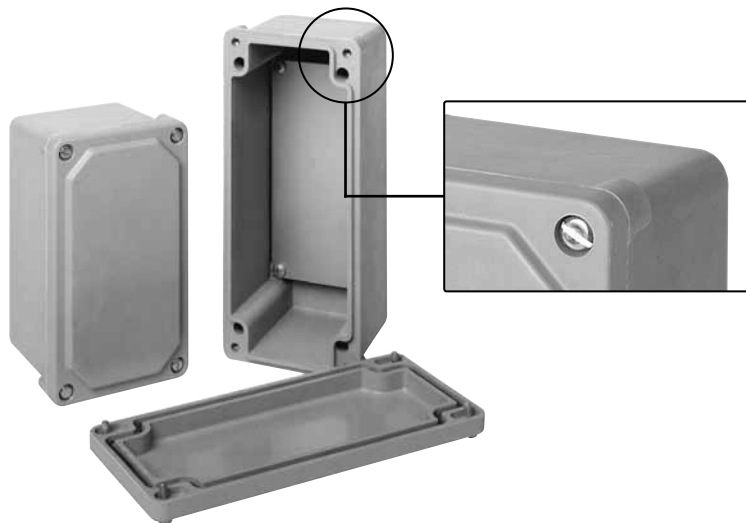
Modifications

We are pleased to modify any of our standard products to fit your needs. We have the lowest volume requirements on custom work in the industry, and quick turnaround time.

We can modify any of our AM Series enclosures with:

- Custom holes and cutouts
- Custom size polycarbonate viewing windows
- Molded-in color matches
- Hinge installed on short side
- EMI/RFI shielding
- Factory-supplied silk screening

For complete details on factory modifications including a modification request form, see pages 107-109.



AM Series Small Junction Boxes: Lift-Off Screw Cover

APPLICATION

- Designed for use as electrical junction boxes, terminal wiring boxes, instrumentation housings and electrical control enclosures
- Especially well suited for high temperature or corrosive environments
- Protects from dirt, dust, oil and water
- For use with industrial control equipment in ordinary locations

STANDARDS

- UL Types 1, 2, 3, 4, 4X, 12, and 13
- CSA Types 1, 2, 3, 3R, 4, 4X, 12 and 13
- NEMA Types 1, 2, 3, 3R, 4, 4X, 12 and 13
- IEC 60529 Type IP66
- Compliant with RoHS directive (Restriction of Hazardous Substances)

CONSTRUCTION

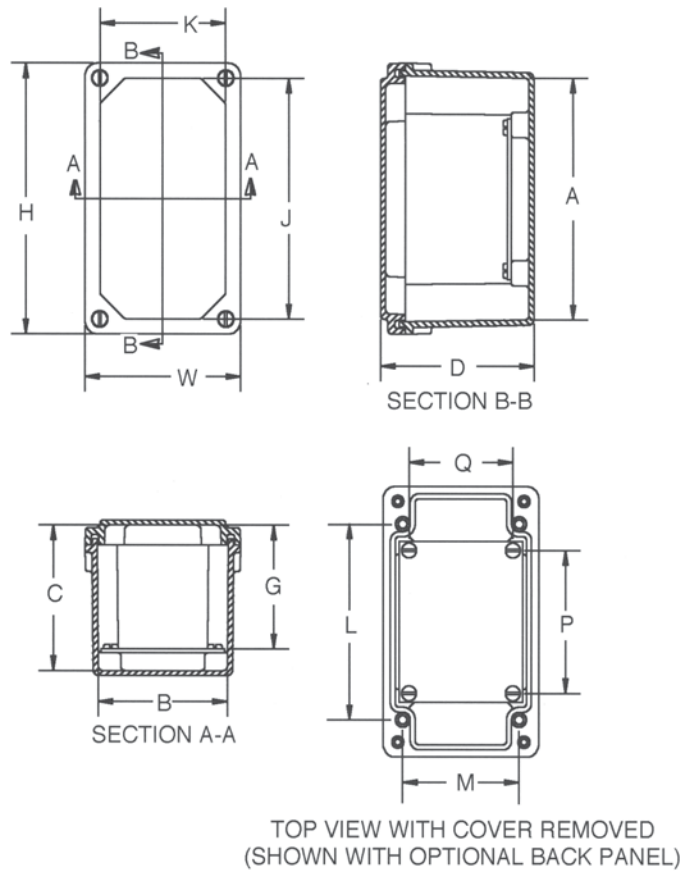
- Rugged, molded Ultraguard® fiberglass reinforced polyester material construction with reinforced corners
- Two standard sizes: 7" x 4" x 3" and 9" x 4" x 3"
- 300 series stainless steel captive cover screws and mounting feet
- "Tongue and groove" type closed-cell neoprene gasket
- Threaded inserts for optional back panel
- UV stabilized for outdoor use

ACCESSORIES

- Optional back panels

MODIFICATIONS

- Custom holes and cutouts
- Custom size polycarbonate viewing windows
- Molded-in color matches
- EMI/RFI shielding
- Factory-supplied silk screening



Optional Aluminum/Fiberglass Back Panel		
Part No.	Height	Width
PA74, PF74	4.00	3.13
	102mm	80mm
PA94, PF94	6.25	3.13
	159mm	80mm

All dimensions are in inches unless otherwise noted.
Thickness; "PA" (.100) "PF" (.125)

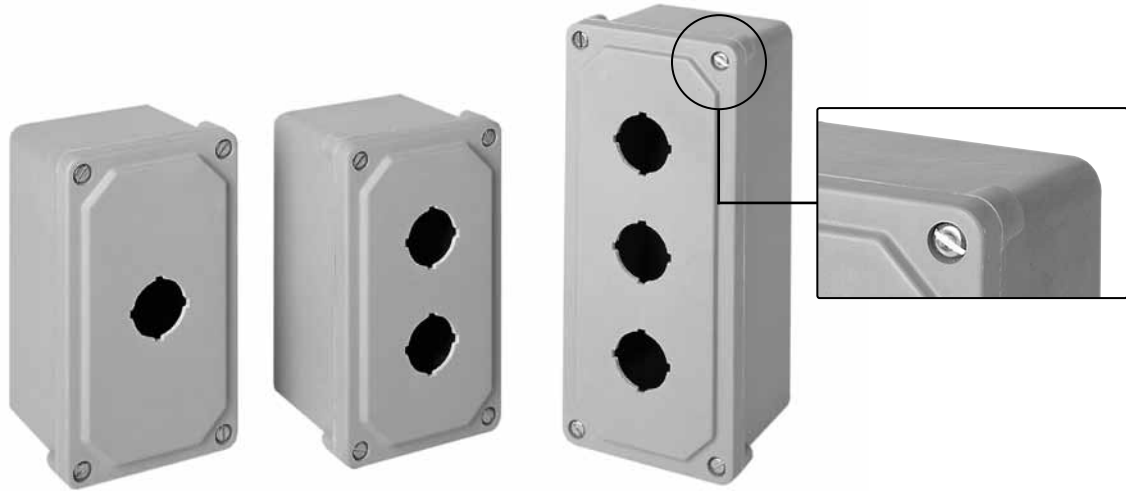
Part No.	Overall			Inside									
	H	W	D	A	B	C	G	J	K	L	M	P	Q
AM743	6.74 171mm	3.93 100mm	3.88 99mm	6.01 153mm	3.26 83mm	3.63 92mm	3.08 78mm	6.13 156mm	3.31 84mm	4.88 124mm	2.94 75mm	3.56 90mm	2.63 67mm
AM743(SF*)	6.74 171mm	3.93 100mm	3.88 99mm	6.01 153mm	3.26 83mm	3.63 92mm	3.08 78mm	6.13 156mm	3.31 84mm	4.88 124mm	2.94 75mm	3.56 90mm	2.63 67mm
AM943	8.99 228mm	3.93 100mm	3.88 99mm	8.26 210mm	3.26 83mm	3.63 92mm	3.08 78mm	8.31 211mm	3.31 84mm	7.13 181mm	2.94 75mm	5.81 148mm	2.63 67mm
AM943(SF*)	8.99 228mm	3.93 100mm	3.88 99mm	8.26 210mm	3.26 83mm	3.63 92mm	3.08 78mm	8.31 211mm	3.31 84mm	7.13 181mm	2.94 75mm	5.81 148mm	2.63 67mm

All dimensions are in inches unless otherwise noted.

*Available with or without stainless steel mounting feet. Suffix "SF" denotes box without mounting feet.



Order Today: 419-636-4217, Fax: 419-636-2450, e-mail: sales@alliedmoulded.com



AM Series Pushbutton Enclosures: Inline Lift-Off Screw Cover

APPLICATION

- Designed to insulate and house pushbuttons and switches in applications that require a human-machine interface
- Especially well suited for high temperature or corrosive environments
- Protects from dirt, dust, oil and water
- For use with industrial control equipment in ordinary locations

STANDARDS

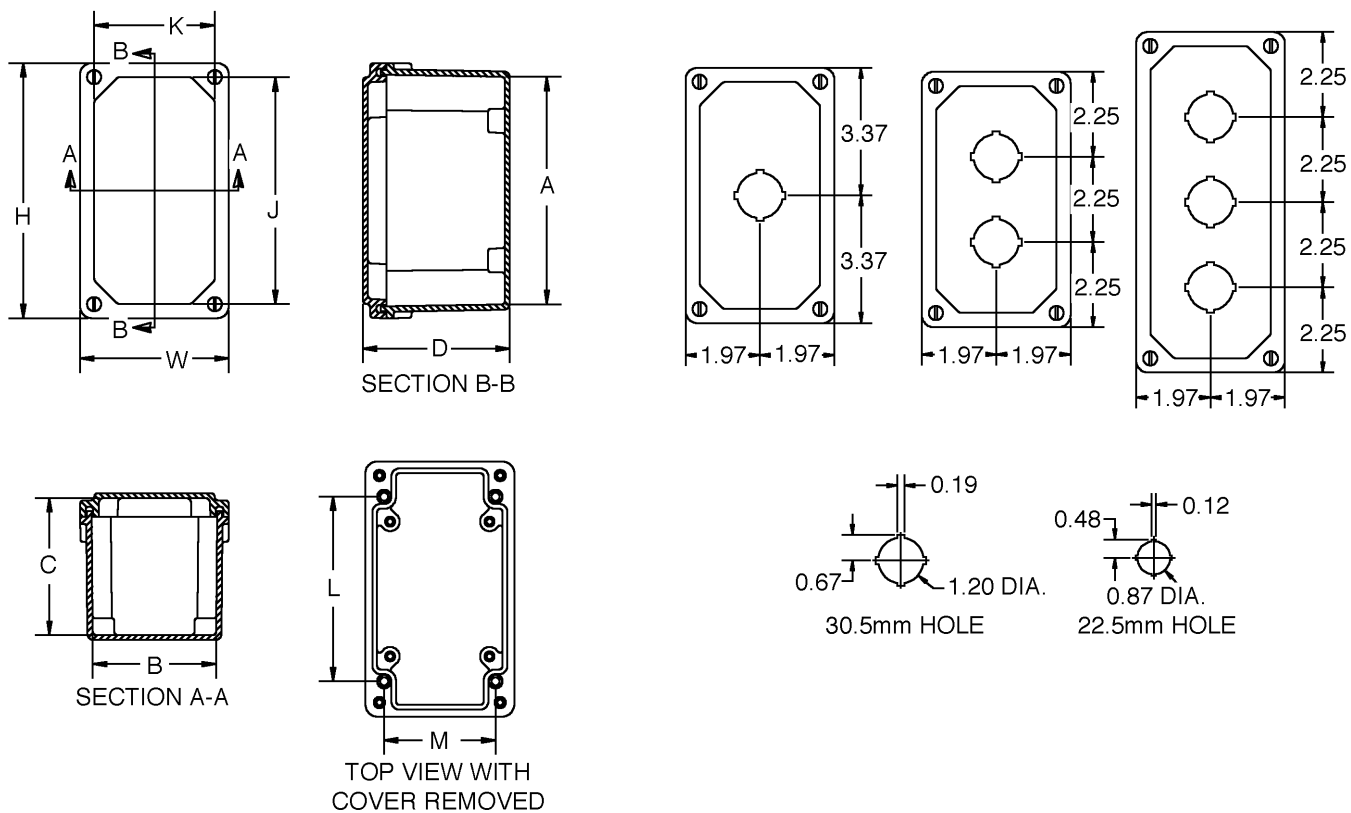
- UL Types 1, 2, 3, 4, 4X, 12, and 13
- CSA Types 1, 2, 3, 3R, 4, 4X, 12 and 13
- NEMA Types 1, 2, 3, 3R, 4, 4X, 12 and 13
- IEC 60529 Type IP66
- Compliant with RoHS directive (Restriction of Hazardous Substances)

CONSTRUCTION

- Rugged, molded Ultraguard® fiberglass reinforced polyester material construction with reinforced corners
- Available with either 30.5mm or 22.5mm holes
- 300 series stainless steel captive cover screws
- "Tongue and groove" type closed-cell neoprene gasket
- Grounding strap included
- UV stabilized for outdoor use

MODIFICATIONS

- Molded-in color matches
- EMI/RFI shielding
- Factory-supplied silk screening

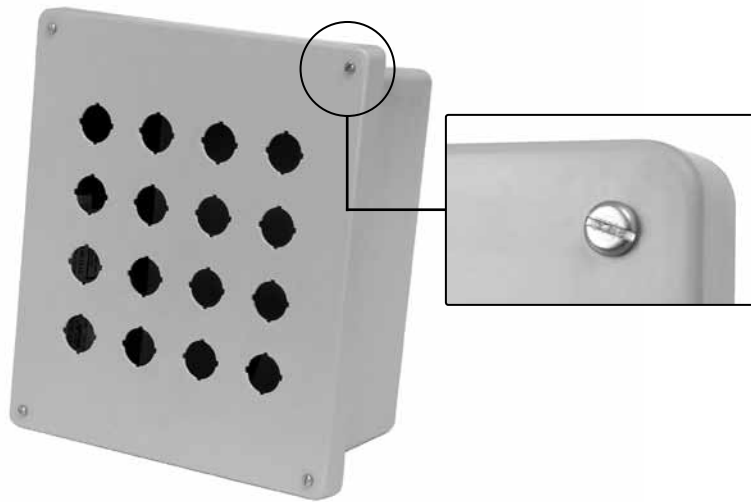


Part No.	Overall			Inside			J	K	L	M	Holes	Size
	H	W	D	A	B	C						
AM1PB	6.74 171mm	3.93 100mm	3.88 99mm	6.01 153mm	3.26 83mm	3.63 92mm	6.13 156mm	3.31 84mm	4.88 124mm	2.94 75mm	1 1	1.20 30.5mm
AM1PB22	6.74 171mm	3.93 100mm	3.88 99mm	6.01 153mm	3.26 83mm	3.63 92mm	6.13 156mm	3.31 84mm	4.88 124mm	2.94 75mm	1 1	0.87 22.5mm
AM2PB	6.74 171mm	3.93 100mm	3.88 99mm	6.01 153mm	3.26 83mm	3.63 92mm	6.13 156mm	3.31 84mm	4.88 124mm	2.94 75mm	2 2	1.20 30.5mm
AM2PB22	6.74 171mm	3.93 100mm	3.88 99mm	6.01 153mm	3.26 83mm	3.63 92mm	6.13 156mm	3.31 84mm	4.88 124mm	2.94 75mm	2 2	0.87 22.5mm
AM3PB	8.99 228mm	3.93 100mm	3.88 99mm	8.26 210mm	3.26 83mm	3.63 92mm	8.31 211mm	3.31 84mm	7.13 181mm	2.94 75mm	3 3	1.20 30.5mm
AM3PB22	8.99 228mm	3.93 100mm	3.88 99mm	8.26 210mm	3.26 83mm	3.63 92mm	8.31 211mm	3.31 84mm	7.13 181mm	2.94 75mm	3 3	0.87 22.5mm

All dimensions are in inches unless otherwise noted.
 Note: Mounting feet are not included as standard.



Order Today: 419-636-4217, Fax: 419-636-2450, e-mail: sales@alliedmoulded.com



AM Series Pushbutton Enclosures: Multi-Hole Lift-Off Screw Cover

APPLICATION

- Designed to insulate and house pushbuttons and switches in applications that require a human-machine interface
- Especially well suited for high temperature or corrosive environments
- Protects from dirt, dust, oil and water
- For use with industrial control equipment in ordinary locations

STANDARDS

- UL Types 1, 2, 3, 4, 4X, 12, and 13
- CSA Types 1, 2, 3, 3R, 4, 4X, 12 and 13
- NEMA Types 1, 2, 3, 3R, 4, 4X, 12 and 13
- IEC 60529 Type IP66
- Compliant with RoHS directive (Restriction of Hazardous Substances)

CONSTRUCTION

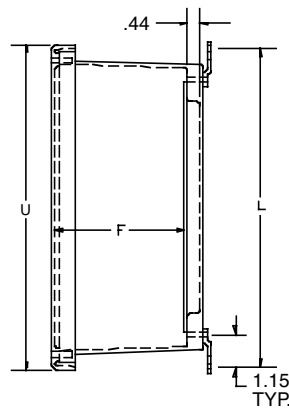
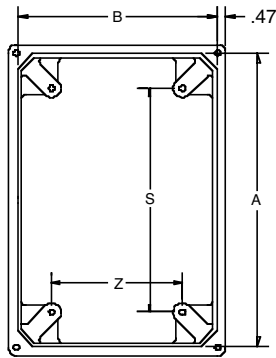
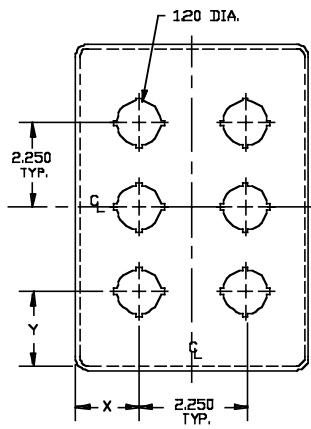
- Constructed to requirements of CSA Enc. 5 based on standard component cutout
- Strong, molded Ultraguard® fiberglass reinforced polyester material construction
- 300 series stainless steel captive cover screws
- Gasket made of closed cell neoprene cord encased in a continuous channel
- 300 series stainless steel wall mounting feet with 10-32 stainless steel screws included
- 10-32 threaded inserts are installed for optional back panel
- UV stabilized for outdoor use

ACCESSORIES

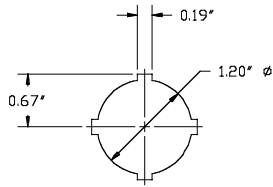
- Optional back panels (See table on pages 100-101.)

MODIFICATIONS

- Molded-in color matches
- EMI/RFI shielding
- Factory-supplied silk screening
- Optional 22.5mm holes (add "22" suffix to part number)

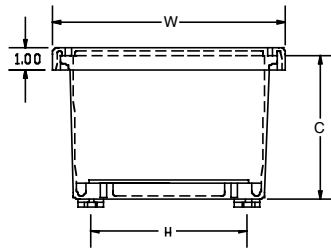


Note: Cover removed for clarity



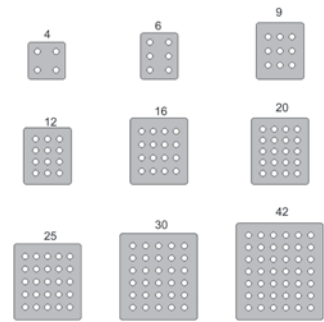
30.5mm HOLE DETAIL
STANDARD 4-WAY

(Optional 22.5mm holes available)



Nominal 1/8" wall thickness

Pushbutton Arrangements



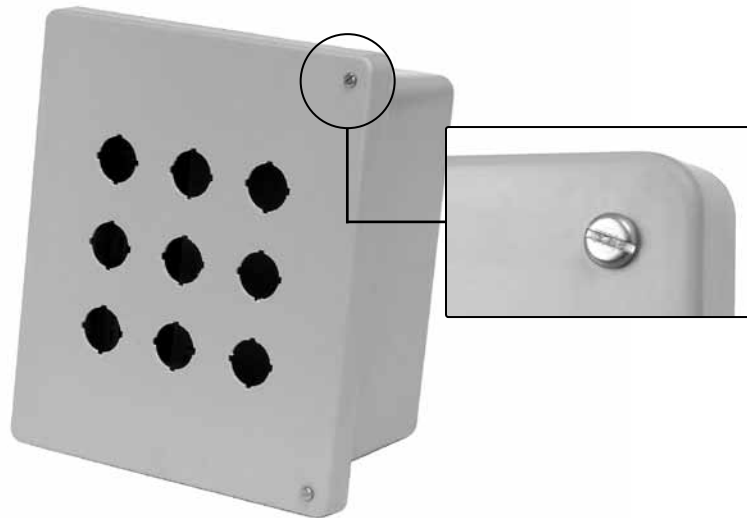
Note: To order product with 22.5mm holes, please add "22" suffix to part number (e.g., AM664P422) and contact customer service for lead times.

Part No.	Box Size			Usable Depth	Panel Boss Centers		Panel Sizes		Foot Mount Centers		Cover Size		No. of Holes	X	Y
	A	B	C		F	S	Z	Height	Weight	H	L	U			
AM664P4	6.10 155mm	6.10 155mm	4.18 106mm	3.76 96mm	4.25 108mm	4.25 108mm	4.81 122mm	4.81 122mm	5.01 127mm	7.32 186mm	7.69 195mm	7.69 195mm	4	2.72 69mm	2.72 69mm
AM864P6	8.00 203mm	6.13 156mm	4.13 105mm	3.68 93mm	6.25 159mm	4.25 108mm	6.75 171mm	4.88 124mm	5.01 127mm	9.19 233mm	9.59 244mm	7.71 196mm	6	2.72 69mm	2.55 65mm
AM1084P9	10.14 258mm	8.26 210mm	4.13 105mm	3.68 93mm	8.25 210mm	6.25 159mm	8.75 222mm	6.88 175mm	7.01 178mm	11.19 284mm	11.73 298mm	9.85 250mm	9	2.68 68mm	3.62 92mm
AM1086P9	10.14 258mm	8.26 210mm	6.13 156mm	5.68 144mm	8.25 210mm	6.25 159mm	8.75 222mm	6.88 175mm	7.01 178mm	11.19 284mm	11.73 298mm	9.85 250mm	9	2.68 68mm	3.62 92mm
AM1086P12	10.14 258mm	8.26 210mm	6.13 156mm	5.68 144mm	8.25 210mm	6.25 159mm	8.75 223mm	6.88 226mm	7.01 178mm	11.19 284mm	11.73 298mm	9.85 250mm	12	2.68 68mm	2.49 63mm
AM1206P16	12.14 308mm	10.26 261mm	6.13 156mm	5.68 144mm	10.25 260mm	8.25 210mm	10.75 324mm	8.88 276mm	9.01 229mm	13.19 335mm	13.73 349mm	11.85 301mm	16	2.55 65mm	3.49 89mm
AM1206P20	12.14 308mm	10.26 261mm	6.13 156mm	5.68 144mm	10.25 260mm	8.25 210mm	10.75 375mm	8.88 327mm	9.01 229mm	13.19 335mm	13.73 349mm	11.85 301mm	20	2.55 65mm	2.37 60mm
AM1426P25	14.13 359mm	12.26 311mm	6.13 156mm	5.68 144mm	12.25 311mm	10.25 260mm	12.75 324mm	10.88 276mm	11.01 280mm	15.19 386mm	15.73 400mm	13.85 352mm	25	2.43 62mm	3.37 86mm
AM1648P30	16.27 413mm	14.40 366mm	8.13 207mm	7.68 195mm	14.25 362mm	12.25 311mm	14.75 375mm	12.88 375mm	13.01 330mm	17.19 437mm	17.87 454mm	15.99 406mm	30	3.50 89mm	3.31 84mm
AM1868P42	18.4 467mm	16.40 417mm	8.13 207mm	7.68 195mm	16.25 413mm	14.25 362mm	16.88 468mm	14.88 367mm	14.97 380mm	19.28 490mm	20.00 508mm	18.00 457mm	42	3.38 86mm	3.25 83mm

All dimensions are in inches unless otherwise noted.



Order Today: 419-636-4217, Fax: 419-636-2450, e-mail: sales@alliedmoulded.com



AM Series Pushbutton Enclosures: Multi-Hole Hinged Screw Cover

APPLICATION

- Designed to insulate and house pushbuttons and switches in applications that require a human-machine interface
- Especially well suited for high temperature or corrosive environments
- Protects from dirt, dust, oil and water
- For use with industrial control equipment in ordinary locations

STANDARDS

- UL Types 1, 2, 3, 4, 4X, 12, and 13
- CSA Types 1, 2, 3, 3R, 4, 4X, 12 and 13
- NEMA Types 1, 2, 3, 3R, 4, 4X, 12 and 13
- IEC 60529 Type IP66
- Compliant with RoHS directive (Restriction of Hazardous Substances)

CONSTRUCTION

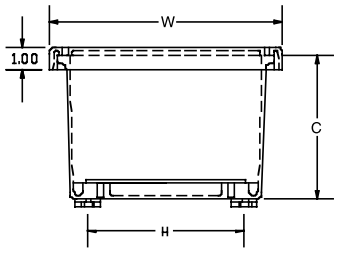
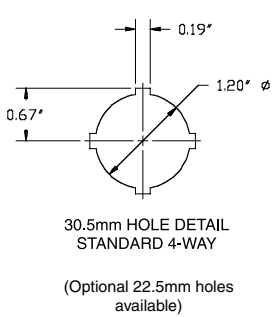
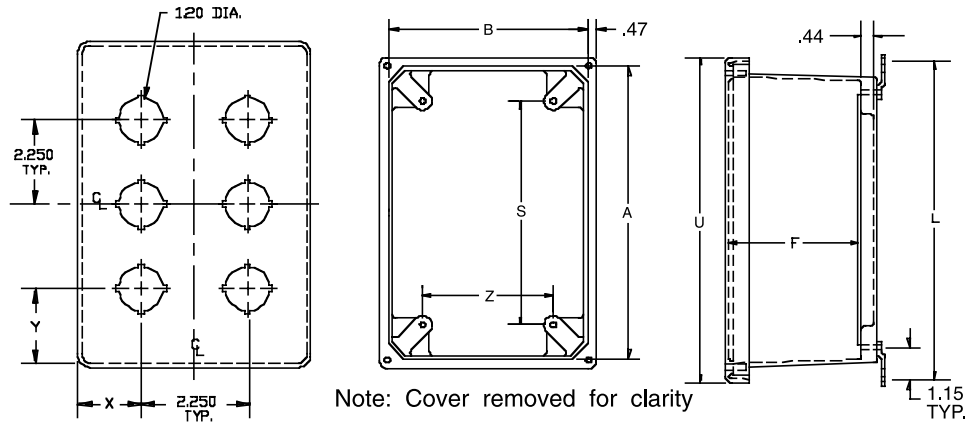
- Constructed to requirements of CSA Enc. 5 based on standard component cutout
- Strong, molded Ultraguard® fiberglass reinforced polyester material construction
- 300 series stainless steel captive cover screws
- Continuous stainless steel hinge
- Gasket made of closed cell neoprene cord encased in a continuous channel
- 300 series stainless steel wall mounting feet with 10-32 stainless steel screws included
- 10-32 threaded inserts are installed for optional back panel
- UV stabilized for outdoor use

ACCESSORIES

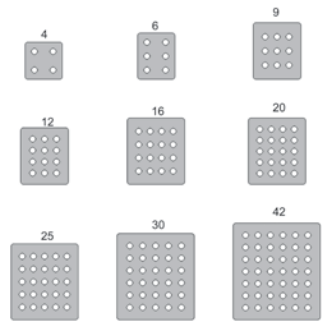
- Optional back panels (See table on pages 100-101.)

MODIFICATIONS

- Molded-in color matches
- EMI/RFI shielding
- Factory-supplied silk screening
- Optional 22.5mm holes (add "22" suffix to part number)



Pushbutton Arrangements



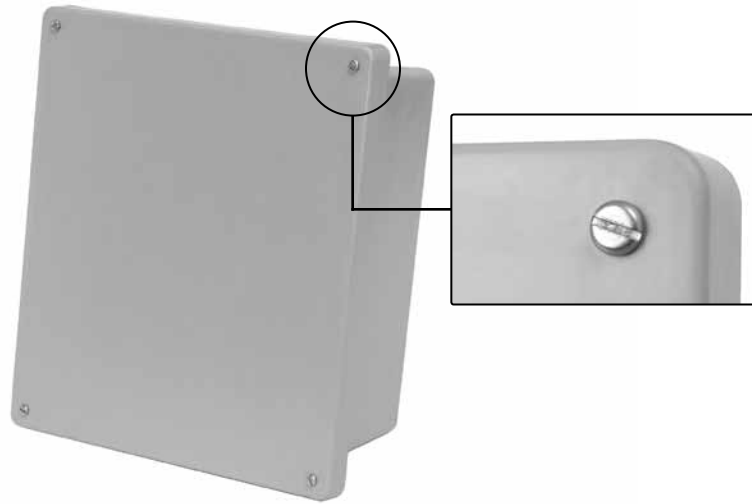
Note: To order product with 22.5mm holes, please add "22" suffix to part number (e.g., AM664HP422) and contact customer service for lead times.

Part No.	Box Size			Usable Depth	Panel Boss Centers		Panel Sizes		Foot Mount Centers		Cover Size		No. of Holes	X	Y
	A	B	C		F	S	Z	Height	Weight	H	L	U			
AM664HP4	6.10 155mm	6.10 155mm	4.18 106mm	3.76 96mm	4.25 108mm	4.25 108mm	4.81 122mm	4.81 122mm	5.01 127mm	7.32 186mm	7.69 195mm	7.69 195mm	4	2.72 69mm	2.72 69mm
AM864HP6	8.00 203mm	6.13 156mm	4.13 105mm	3.68 93mm	6.25 159mm	4.25 108mm	6.75 171mm	4.88 124mm	5.01 127mm	9.19 233mm	9.59 244mm	7.71 196mm	6	2.72 69mm	2.55 65mm
AM1084HP9	10.14 258mm	8.26 210mm	4.13 105mm	3.68 93mm	8.25 210mm	6.25 159mm	8.75 222mm	6.88 175mm	7.01 178mm	11.19 284mm	11.73 298mm	9.85 250mm	9	2.68 68mm	3.62 92mm
AM1086HP9	10.14 258mm	8.26 210mm	6.13 156mm	5.68 144mm	8.25 210mm	6.25 159mm	8.75 222mm	6.88 175mm	7.01 178mm	11.19 284mm	11.73 298mm	9.85 250mm	9	2.68 68mm	3.62 92mm
AM1086HP12	10.14 258mm	8.26 210mm	6.13 156mm	5.68 144mm	8.25 210mm	6.25 159mm	8.75 222mm	6.88 175mm	7.01 178mm	11.19 284mm	11.73 298mm	9.85 250mm	12	2.68 68mm	2.49 63mm
AM1206HP16	12.14 308mm	10.26 261mm	6.13 156mm	5.68 144mm	10.25 260mm	8.25 210mm	10.75 273mm	8.88 226mm	9.01 229mm	13.19 335mm	13.73 349mm	11.85 301mm	16	2.55 65mm	3.49 89mm
AM1206HP20	12.14 308mm	10.26 261mm	6.13 156mm	5.68 144mm	10.25 260mm	8.25 210mm	10.75 273mm	8.88 226mm	9.01 229mm	13.19 335mm	13.73 349mm	11.85 301mm	20	2.55 65mm	2.37 60mm
AM1426HP25	14.13 359mm	12.26 311mm	6.13 156mm	5.68 144mm	12.25 311mm	10.25 260mm	12.75 324mm	10.88 276mm	11.01 280mm	15.19 386mm	15.73 400mm	13.85 352mm	25	2.43 62mm	3.37 86mm
AM1648HP30	16.27 413mm	14.40 366mm	8.13 207mm	7.68 195mm	14.25 362mm	12.25 311mm	14.75 375mm	12.88 327mm	13.01 330mm	17.19 437mm	17.87 454mm	15.99 406mm	30	3.50 89mm	3.31 84mm
AM1868HP42	18.40 467mm	16.40 417mm	8.13 207mm	7.68 195mm	16.25 413mm	14.25 362mm	16.88 429mm	14.88 378mm	14.97 380mm	19.28 490mm	20.00 508mm	18.00 457mm	42	3.38 86mm	3.25 83mm

All dimensions are in inches unless otherwise noted.



Order Today: 419-636-4217, Fax: 419-636-2450, e-mail: sales@alliedmoulded.com



AM Series JIC Size Junction Boxes: Lift-Off Screw Cover

APPLICATION

- Designed to insulate and protect controls and components in both indoor and outdoor applications
- Especially well suited for high temperature or corrosive environments
- Protects from dirt, dust, oil and water
- For use with industrial control equipment in ordinary locations

STANDARDS

- UL Types 1, 2, 3, 4, 4X, (6P for sizes 6" x 6" up through 14" x 12") 12, and 13
- CSA Types 1, 2, 3, 3R, 4, 4X, (6P for sizes 6" x 6" up through 14" x 12") 12 and 13
- NEMA Types 1, 2, 3, 3R, 4, 4X, (6P for sizes 6" x 6" up through 14" x 12") 12 and 13
- IEC 60529 Type IP66 and units rated 6P are IP68 submersible up to 24 hours at a depth of 6 feet (1.8 meters)
- Compliant with RoHS directive (Restriction of Hazardous Substances)

CONSTRUCTION

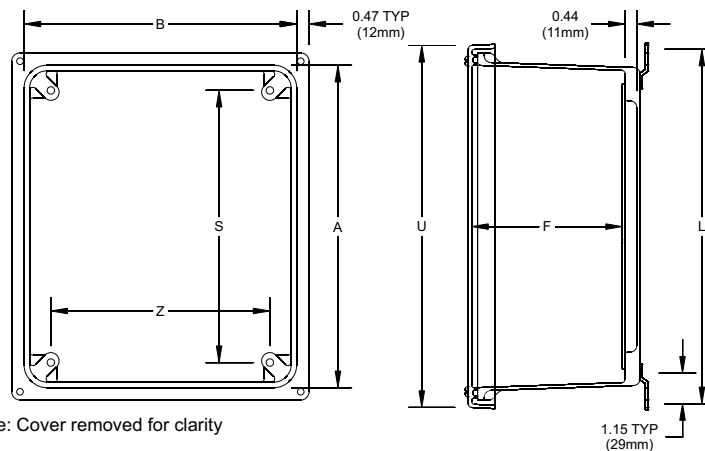
- Strong, molded Ultraguard® fiberglass reinforced polyester material construction with matching flat cover
- 300 series stainless steel captive cover screws
- Gasket made of closed cell neoprene cord encased in a continuous channel
- 300 series stainless steel wall mounting feet with 10-32 stainless steel screws included
- 10-32 threaded inserts are installed for optional back panel
- JIC sizing
- Ultraguard® fiberglass material is easily punched, drilled or sawed
- UV stabilized for outdoor use

ACCESSORIES

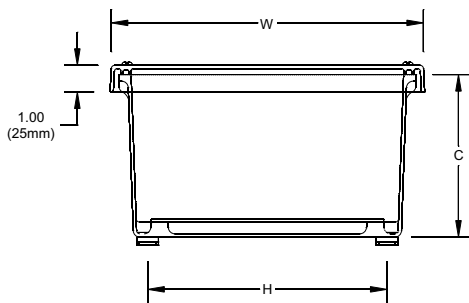
- Optional back panels (See table on pages 100-101.)
- Optional thermal management products (See pages 103-104.)

MODIFICATIONS

- Custom holes and cutouts
- Custom size polycarbonate viewing windows
- Hinge installed on short side
- Molded-in color matches
- EMI/RFI shielding
- Factory-supplied silk screening



Note: Cover removed for clarity



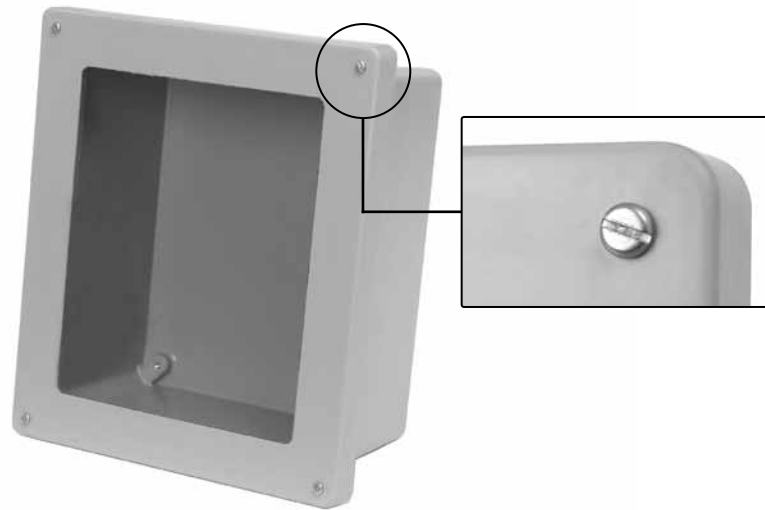
Nominal 1/8" (3mm) wall thickness

Part No.	Box Size			Usable Depth F	Panel Boss Centers		Panel Sizes		Foot Mount Centers		Cover Size	
	A	B	C		S	Z	Height	Width	H	L	U	W
AM664	6.10 155mm	6.10 155mm	4.18 106mm	3.76 96mm	4.25 108mm	4.25 108mm	4.81 122mm	4.81 122mm	5.01 127mm	7.32 186mm	7.69 195mm	7.69 195mm
AM864	8.00 203mm	6.13 156mm	4.13 105mm	3.68 93mm	6.25 159mm	4.25 108mm	6.75 171mm	4.88 124mm	5.01 127mm	9.19 233mm	9.59 244mm	7.71 196mm
AM1084	10.14 258mm	8.26 210mm	4.13 105mm	3.68 93mm	8.25 210mm	6.25 159mm	8.75 222mm	6.88 175mm	7.01 178mm	11.19 284mm	11.73 298mm	9.85 250mm
AM1086	10.14 258mm	8.26 210mm	6.13 156mm	5.68 144mm	8.25 210mm	6.25 159mm	8.75 222mm	6.88 175mm	7.01 178mm	11.19 284mm	11.73 298mm	9.85 250mm
AM1206	12.14 308mm	10.26 261mm	6.13 156mm	5.68 144mm	10.25 260mm	8.25 210mm	10.75 273mm	8.88 226mm	9.01 229mm	13.19 335mm	13.73 349mm	11.85 301mm
AM1426	14.13 359mm	12.26 311mm	6.13 156mm	5.68 144mm	12.25 311mm	10.25 260mm	12.75 324mm	10.88 276mm	11.01 280mm	15.19 386mm	15.73 400mm	13.85 352mm
AM1648	16.27 413mm	14.40 366mm	8.13 207mm	7.68 195mm	14.25 362mm	12.25 311mm	14.75 375mm	12.88 327mm	13.01 330mm	17.19 437mm	17.87 454mm	15.99 406mm
AM1868	18.40 467mm	16.40 417mm	8.13 207mm	7.68 195mm	16.25 413mm	14.25 362mm	16.88 429mm	14.88 378mm	14.97 380mm	19.28 490mm	20.00 508mm	18.00 457mm
AM2068	20.00 508mm	16.00 406mm	8.13 207mm	7.68 195mm	17.81 452mm	13.81 351mm	18.44 468mm	14.44 367mm	14.54 369mm	20.84 529mm	21.59 548mm	17.59 447mm

All dimensions are in inches unless otherwise noted.
 Sizes 6" x 6" x 4" up through 14" x 12" x 6" are rated 6p (IP68).



Order Today: 419-636-4217, Fax: 419-636-2450, e-mail: sales@alliedmoulded.com



AM Series JIC Size Junction Boxes: Lift-Off Screw Cover With Window

APPLICATION

- Designed to insulate and house electrical and electronic controls, instruments or components for indoor and outdoor applications
- Especially well suited for high temperature or corrosive environments
- Protects from dirt, dust, oil and water
- For use with industrial control equipment in ordinary locations
- Window unit provides viewing area for instrumentation or equipment

STANDARDS

- UL Types 1, 2, 3, 4, 4X, 12, and 13
- CSA Types 1, 2, 3, 3R, 4, 4X, 12 and 13
- NEMA Types 1, 2, 3, 3R, 4, 4X, 12 and 13
- IEC 60529 Type IP66
- Compliant with RoHS directive (Restriction of Hazardous Substances)

CONSTRUCTION

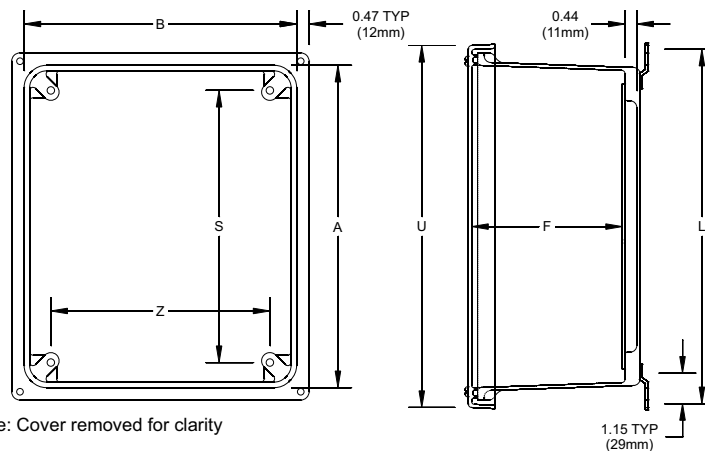
- Strong, molded Ultraguard® fiberglass reinforced polyester material construction with matching flat cover
- UV resistant polycarbonate viewing window
- 300 series stainless steel captive cover screws
- Gasket made of closed cell neoprene cord encased in a continuous channel
- 300 series stainless steel wall mounting feet with 10-32 stainless steel screws included
- 10-32 threaded inserts are installed for optional back panel
- JIC sizing
- Ultraguard® fiberglass material is easily punched, drilled or sawed
- UV stabilized for outdoor use

ACCESSORIES

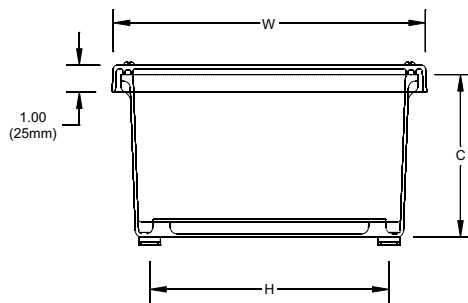
- Optional back panels (See table on pages 100-101.)
- Optional thermal management products (See pages 103-104.)

MODIFICATIONS

- Custom holes and cutouts
- Custom size polycarbonate viewing windows
- Molded-in color matches
- Hinge installed on short side
- EMI/RFI shielding
- Factory-supplied silk screening



Note: Cover removed for clarity



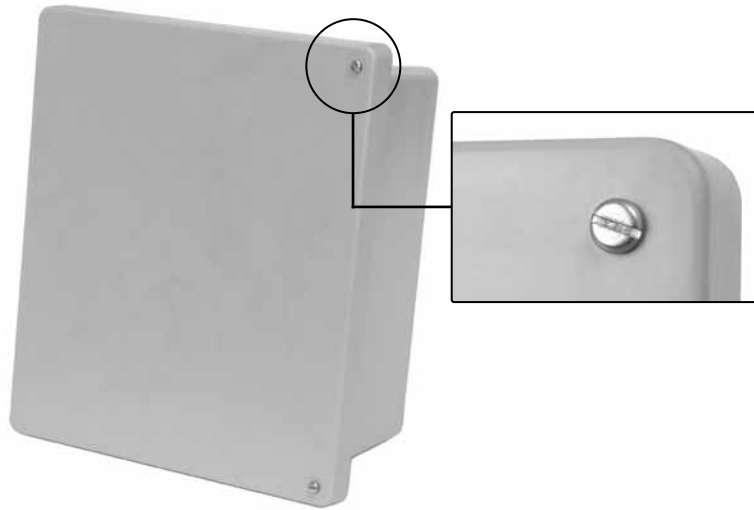
Nominal 1/8" (3mm) wall thickness

Part No.	Box Size			Usable Depth F	Panel Boss Centers		Panel Sizes		Foot Mount Centers		Cover Size		Window Dimension (height x width)
	A	B	C		S	Z	Height	Width	H	L	U	W	
AM664W	6.10 155mm	6.10 155mm	4.18 106mm	3.76 96mm	4.25 108mm	4.25 108mm	4.81 122mm	4.81 122mm	5.01 127mm	7.32 186mm	7.69 195mm	7.69 195mm	4.25 X 4.25 108mm X 108mm
AM864W	8.00 203mm	6.13 156mm	4.13 105mm	3.68 93mm	6.25 159mm	4.25 108mm	6.75 171mm	4.88 124mm	5.01 127mm	9.19 233mm	9.59 244mm	7.71 196mm	6.25 X 4.25 159mm X 108mm
AM1084W	10.14 258mm	8.26 210mm	4.13 105mm	3.68 93mm	8.25 210mm	6.25 159mm	8.75 222mm	6.88 175mm	7.01 178mm	11.19 284mm	11.73 298mm	9.85 250mm	8.38 X 6.50 213mm X 159mm
AM1086W	10.14 258mm	8.26 210mm	6.13 156mm	5.68 144mm	8.25 210mm	6.25 159mm	8.75 222mm	6.88 175mm	7.01 178mm	11.19 284mm	11.73 298mm	9.85 250mm	8.38 X 6.50 213mm X 159mm
AM1206W	12.14 308mm	10.26 261mm	6.13 156mm	5.68 144mm	10.25 260mm	8.25 210mm	10.75 273mm	8.88 226mm	9.01 229mm	13.19 335mm	13.73 349mm	11.85 301mm	10.38 X 8.50 264mm X 216mm
AM1426W	14.13 359mm	12.26 311mm	6.13 156mm	5.68 144mm	12.25 311mm	10.25 260mm	12.75 324mm	10.88 276mm	11.01 280mm	15.19 386mm	15.73 400mm	13.85 352mm	12.38 X 10.50 314mm X 267mm
AM1648W	16.27 413mm	14.40 366mm	8.13 207mm	7.68 195mm	14.25 362mm	12.25 311mm	14.75 375mm	12.88 327mm	13.01 330mm	17.19 437mm	17.87 454mm	15.99 406mm	13.00 X 11.00 330mm X 279mm
AM1868W	18.40 467mm	16.40 417mm	8.13 207mm	7.68 195mm	16.25 413mm	14.25 362mm	16.88 429mm	14.88 378mm	14.97 380mm	19.28 490mm	20.00 508mm	18.00 457mm	14.00 X 12.00 356mm X 305mm
AM2068W	20.00 508mm	16.00 406mm	8.13 207mm	7.68 195mm	17.81 452mm	13.81 351mm	18.44 468mm	14.44 367mm	14.54 369mm	20.84 529mm	21.59 548mm	17.59 447mm	15.00 X 11.00 381mm X 279mm

All dimensions are in inches unless otherwise noted.



Order Today: 419-636-4217, Fax: 419-636-2450, e-mail: sales@alliedmoulded.com



AM Series JIC Size Junction Boxes: Hinged Screw Cover

APPLICATION

- Designed to insulate and house electrical and electronic controls, instruments or components for indoor and outdoor applications
- Especially well suited for high temperature or corrosive environments
- Protects from dirt, dust, oil and water
- For use with industrial control equipment in ordinary locations

STANDARDS

- UL Types 1, 2, 3, 4, 4X, 12, and 13
- CSA Types 1, 2, 3, 3R, 4, 4X, 12 and 13
- NEMA Types 1, 2, 3, 3R, 4, 4X, 12 and 13
- IEC 60529 Type IP66
- Compliant with RoHS directive (Restriction of Hazardous Substances)

CONSTRUCTION

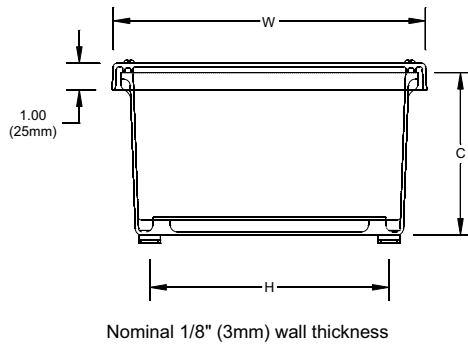
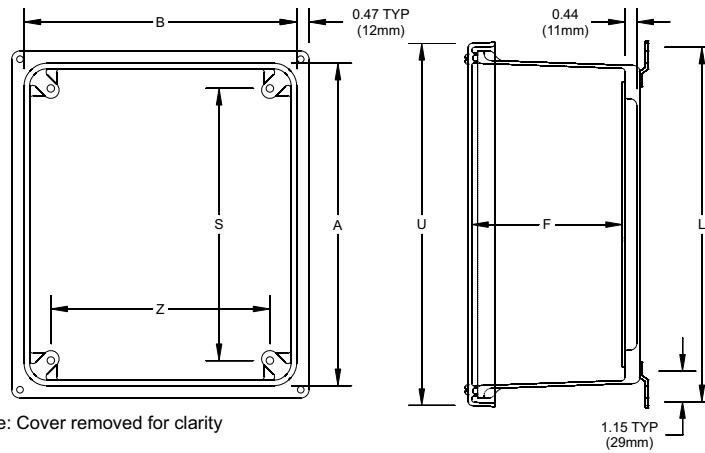
- Strong, molded Ultraguard® fiberglass reinforced polyester material construction with matching flat cover
- 300 series stainless steel captive cover screws
- Continuous 300 series stainless steel hinge
- Gasket made of closed cell neoprene cord encased in a continuous channel
- 300 series stainless steel wall mounting feet with 10-32 stainless steel screws included
- 10-32 threaded inserts are installed for optional back panel
- JIC sizing
- Ultraguard® fiberglass material is easily punched, drilled or sawed
- UV stabilized for outdoor use

ACCESSORIES

- Optional back panels (See table on pages 100-101.)
- Optional thermal management products (See pages 103-104.)

MODIFICATIONS

- Custom holes and cutouts
- Custom size polycarbonate viewing windows
- Molded-in color matches
- Hinge installed on short side
- EMI/RFI shielding
- Factory-supplied silk screening

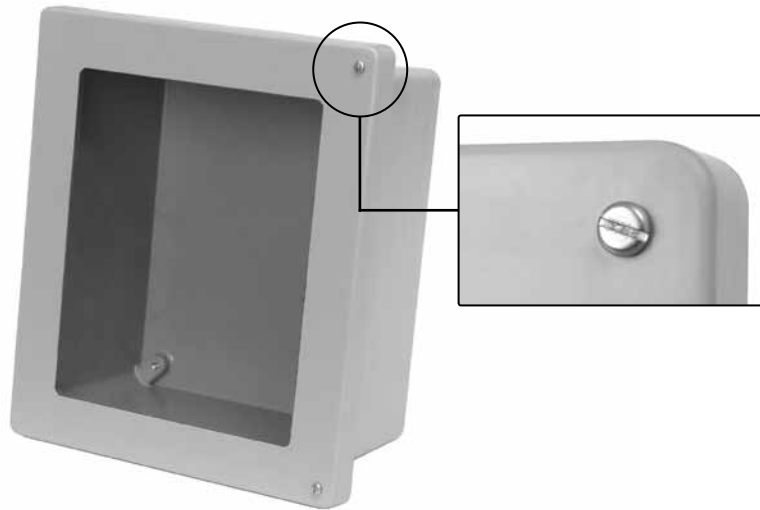


Part No.	Box Size			Usable Depth F	Panel Boss Centers		Panel Sizes		Foot Mount Centers		Cover Size	
	A	B	C		S	Z	Height	Width	H	L	U	W
AM664H	6.10 155mm	6.10 155mm	4.18 106mm	3.76 96mm	4.25 108mm	4.25 108mm	4.81 122mm	4.81 122mm	5.01 127mm	7.32 186mm	7.69 195mm	7.69 195mm
AM864H	8.00 203mm	6.13 156mm	4.13 105mm	3.68 93mm	6.25 159mm	4.25 108mm	6.75 171mm	4.88 124mm	5.01 127mm	9.19 233mm	9.59 244mm	7.71 196mm
AM1084H	10.14 258mm	8.26 210mm	4.13 105mm	3.68 93mm	8.25 210mm	6.25 159mm	8.75 222mm	6.88 175mm	7.01 178mm	11.19 284mm	11.73 298mm	9.85 250mm
AM1086H	10.14 258mm	8.26 210mm	6.13 156mm	5.68 144mm	8.25 210mm	6.25 159mm	8.75 222mm	6.88 175mm	7.01 178mm	11.19 284mm	11.73 298mm	9.85 250mm
AM1206H	12.14 308mm	10.26 261mm	6.13 156mm	5.68 144mm	10.25 260mm	8.25 210mm	10.75 273mm	8.88 226mm	9.01 229mm	13.19 335mm	13.73 349mm	11.85 301mm
AM1426H	14.13 359mm	12.26 311mm	6.13 156mm	5.68 144mm	12.25 311mm	10.25 260mm	12.75 324mm	10.88 276mm	11.01 280mm	15.19 386mm	15.73 400mm	13.85 352mm
AM1648H	16.27 413mm	14.40 366mm	8.13 207mm	7.68 195mm	14.25 362mm	12.25 311mm	14.75 375mm	12.88 327mm	13.01 330mm	17.19 437mm	17.87 454mm	15.99 406mm
AM1868H	18.40 467mm	16.40 417mm	8.13 207mm	7.68 195mm	16.25 413mm	14.25 362mm	16.88 429mm	14.88 378mm	14.97 380mm	19.28 490mm	20.00 508mm	18.00 457mm
AM2068H	20.00 508mm	16.00 406mm	8.13 207mm	7.68 195mm	17.81 452mm	13.81 351mm	18.44 468mm	14.44 367mm	14.54 369mm	20.84 529mm	21.59 548mm	17.59 447mm

All dimensions are in inches unless otherwise noted.



Order Today: 419-636-4217, Fax: 419-636-2450, e-mail: sales@alliedmoulded.com



AM Series JIC Size Junction Boxes: Hinged Screw Cover With Window

APPLICATION

- Designed to insulate and house electrical and electronic controls, instruments or components for indoor and outdoor applications
- Especially well suited for high temperature or corrosive environments
- Protects from dirt, dust, oil and water
- Window unit provides viewing area for instrumentation or equipment

STANDARDS

- UL Types 1, 2, 3, 4, 4X, 12, and 13
- CSA Types 1, 2, 3, 3R, 4, 4X, 12 and 13
- NEMA Types 1, 2, 3, 3R, 4, 4X, 12 and 13
- IEC 60529 Type IP66
- Compliant with RoHS directive (Restriction of Hazardous Substances)

CONSTRUCTION

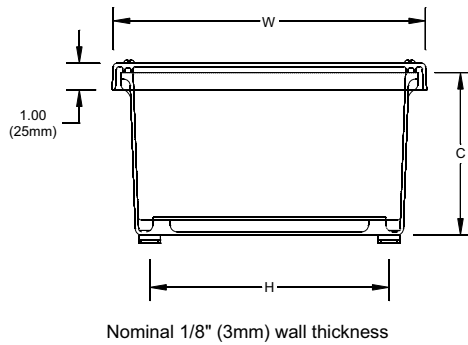
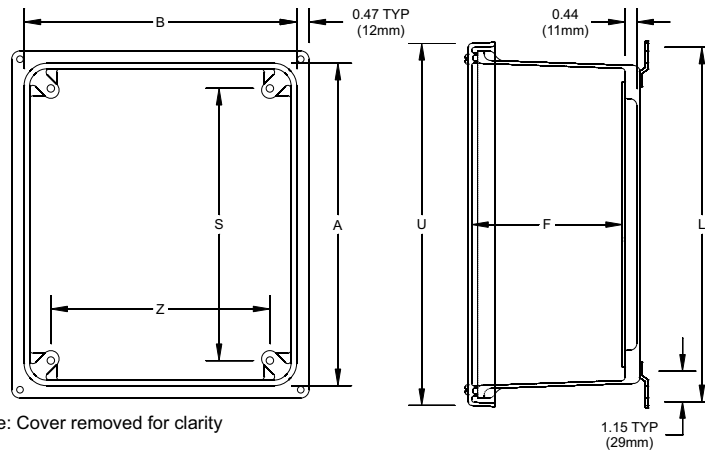
- Strong, molded Ultraguard® fiberglass reinforced polyester material construction with matching flat cover
- UV resistant polycarbonate viewing window
- 300 series stainless steel captive cover screws
- Continuous 300 series stainless steel hinge
- Gasket made of closed cell neoprene cord encased in a continuous channel
- 300 series stainless steel wall mounting feet with 10-32 stainless steel screws included
- 10-32 threaded inserts are installed for optional back panel
- JIC sizing
- Ultraguard® fiberglass material is easily punched, drilled or sawed
- UV stabilized for outdoor use

ACCESSORIES

- Optional back panels (See table on pages 100-101.)
- Optional thermal management products (See pages 103-104.)

MODIFICATIONS

- Custom holes and cutouts
- Hinge installed on short side
- Molded-in color matches
- EMI/RFI shielding
- Factory-supplied silk screening

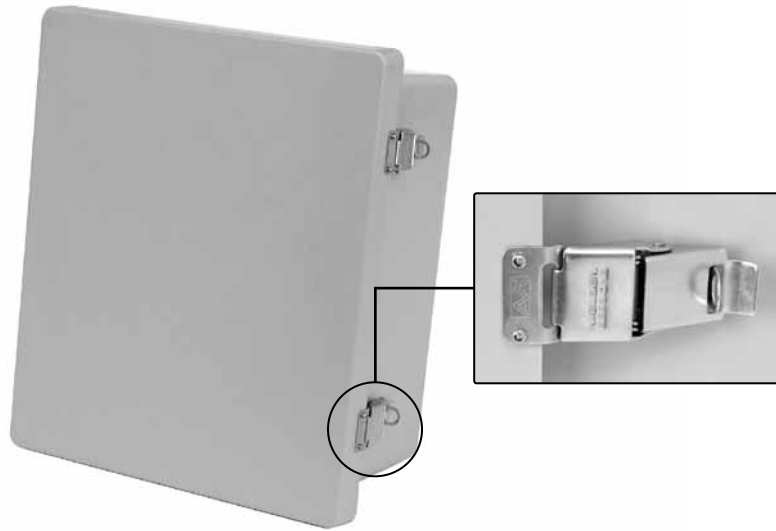


Part No.	Box Size			Usable Depth F	Panel Boss Centers		Panel Sizes		Foot Mount Centers		Cover Size		Window Dimension (height X width)
	A	B	C		S	Z	Height	Width	H	L	U	W	
AM664HW	6.10 155mm	6.10 155mm	4.18 106mm	3.76 96mm	4.25 108mm	4.25 108mm	4.81 122mm	4.81 122mm	5.01 127mm	7.32 186mm	7.69 195mm	7.69 195mm	4.25 X 4.25 108mm X 108mm
AM864HW	8.00 203mm	6.13 156mm	4.13 105mm	3.68 93mm	6.25 159mm	4.25 108mm	6.75 171mm	4.88 124mm	5.01 127mm	9.19 233mm	9.59 244mm	7.71 196mm	6.25 X 4.25 159mm X 108mm
AM1084HW	10.14 258mm	8.26 210mm	4.13 105mm	3.68 93mm	8.25 210mm	6.25 159mm	8.75 222mm	6.88 175mm	7.01 178mm	11.19 284mm	11.73 298mm	9.85 250mm	8.38 X 6.50 213mm X 159mm
AM1086HW	10.14 258mm	8.26 210mm	6.13 156mm	5.68 144mm	8.25 210mm	6.25 159mm	8.75 222mm	6.88 175mm	7.01 178mm	11.19 284mm	11.73 298mm	9.85 250mm	8.38 X 6.50 213mm X 159mm
AM1206HW	12.14 308mm	10.26 261mm	6.13 156mm	5.68 144mm	10.25 260mm	8.25 210mm	10.75 273mm	8.88 226mm	9.01 229mm	13.19 335mm	13.73 349mm	11.85 301mm	10.38 X 8.50 264mm X 216mm
AM1426HW	14.13 359mm	12.26 311mm	6.13 156mm	5.68 144mm	12.25 311mm	10.25 260mm	12.75 324mm	10.88 276mm	11.01 280mm	15.19 386mm	15.73 400mm	13.85 352mm	12.38 X 10.50 314mm X 267mm
AM1648HW	16.27 413mm	14.40 366mm	8.13 207mm	7.68 195mm	14.25 362mm	12.25 311mm	14.75 375mm	12.88 327mm	13.01 330mm	17.19 437mm	17.87 454mm	15.99 406mm	13.00 X 11.00 330mm X 279mm
AM1868HW	18.40 467mm	16.40 417mm	8.13 207mm	7.68 195mm	16.25 413mm	14.25 362mm	16.88 429mm	14.88 378mm	14.97 380mm	19.28 490mm	20.00 508mm	18.00 457mm	14.00 X 12.00 356mm X 305mm
AM2068HW	20.00 508mm	16.00 406mm	8.13 207mm	7.68 195mm	17.81 452mm	13.81 351mm	18.44 468mm	14.44 367mm	14.54 369mm	20.84 529mm	21.59 548mm	17.59 447mm	15.00 X 11.00 381mm X 279mm

All dimensions are in inches unless otherwise noted.



Order Today: 419-636-4217, Fax: 419-636-2450, e-mail: sales@alliedmoulded.com



AM Series JIC Size Junction Boxes: Snap Latch Hinged Cover

APPLICATION

- Designed to insulate and house electrical and electronic controls, instruments or components for indoor and outdoor applications
- Especially well suited for high temperature or corrosive environments
- Protects from dirt, dust, oil and water

STANDARDS

- UL Types 1, 2, 3, 4, 4X, 12, and 13
- CSA Types 1, 2, 3, 3R, 4, 4X, 12 and 13
- NEMA Types 1, 2, 3, 3R, 4, 4X, 12 and 13
- IEC 60529 Type IP66
- Compliant with RoHS directive (Restriction of Hazardous Substances)

CONSTRUCTION

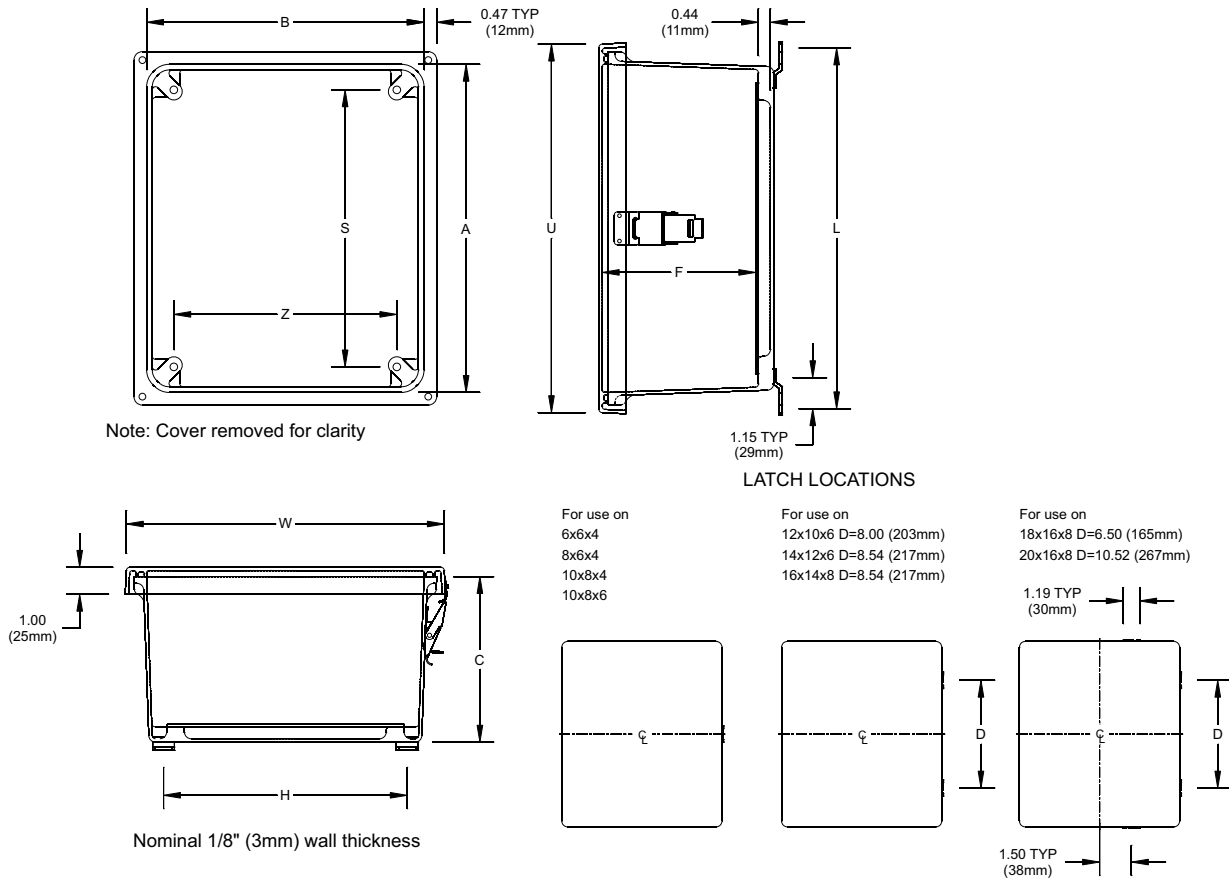
- Strong, molded Ultraguard® fiberglass reinforced polyester material construction with matching flat cover
- 300 series stainless steel snap latches feature padlock hasp
- Continuous 300 series stainless steel hinge
- Gasket made of closed cell neoprene cord encased in a continuous channel
- 300 series stainless steel wall mounting feet with 10-32 stainless steel screws included
- 10-32 threaded inserts are installed for optional back panel
- JIC sizing
- Ultraguard® fiberglass material is easily punched, drilled or sawed
- UV stabilized for outdoor use

ACCESSORIES

- Optional back panels (See table on pages 100-101.)
- Optional thermal management products (See pages 103-104.)

MODIFICATIONS

- Custom holes and cutouts
- Custom size polycarbonate viewing windows
- Molded-in color matches
- Hinge installed on short side
- EMI/RFI shielding
- Factory-supplied silk screening

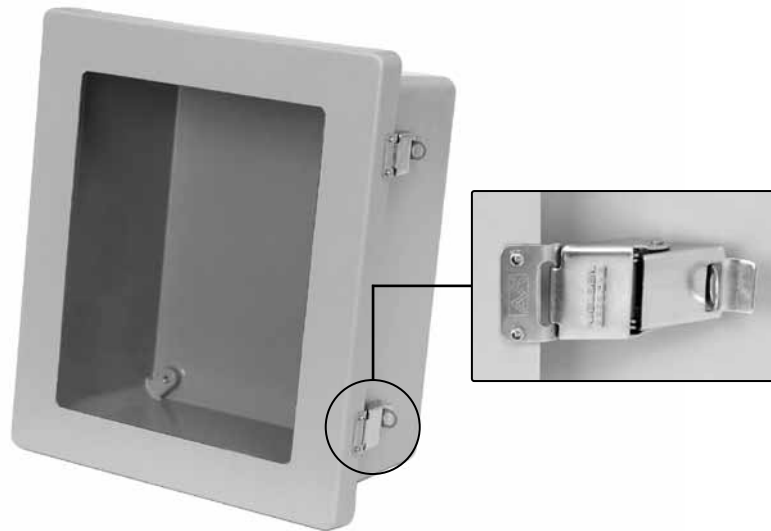


Part No.	Box Size			Usable Depth F	Panel Boss Centers		Panel Sizes		Foot Mount Centers		Cover Size	
	A	B	C		S	Z	Height	Width	H	L	U	W
AM664L	6.10 155mm	6.10 155mm	4.18 106mm	3.76 96mm	4.25 108mm	4.25 108mm	4.81 122mm	4.81 122mm	5.01 127mm	7.32 186mm	7.69 195mm	7.69 195mm
AM864L	8.00 203mm	6.13 156mm	4.13 105mm	3.68 93mm	6.25 159mm	4.25 108mm	6.75 171mm	4.88 124mm	5.01 127mm	9.19 233mm	9.59 244mm	7.71 196mm
AM1084L	10.14 258mm	8.26 210mm	4.13 105mm	3.68 93mm	8.25 210mm	6.25 159mm	8.75 222mm	6.88 175mm	7.01 178mm	11.19 284mm	11.73 298mm	9.85 250mm
AM1086L	10.14 258mm	8.26 210mm	6.13 156mm	5.68 144mm	8.25 210mm	6.25 159mm	8.75 222mm	6.88 175mm	7.01 178mm	11.19 284mm	11.73 298mm	9.85 250mm
AM1206L	12.14 308mm	10.26 261mm	6.13 156mm	5.68 144mm	10.25 260mm	8.25 210mm	10.75 273mm	8.88 226mm	9.01 229mm	13.19 335mm	13.73 349mm	11.85 301mm
AM1426L	14.13 359mm	12.26 311mm	6.13 156mm	5.68 144mm	12.25 311mm	10.25 260mm	12.75 324mm	10.88 276mm	11.01 280mm	15.19 386mm	15.73 400mm	13.85 352mm
AM1648L	16.27 413mm	14.40 366mm	8.13 207mm	7.68 195mm	14.25 362mm	12.25 311mm	14.75 375mm	12.88 327mm	13.01 330mm	17.19 437mm	17.87 454mm	15.99 406mm
AM1868L	18.40 467mm	16.40 417mm	8.13 207mm	7.68 195mm	16.25 413mm	14.25 362mm	16.88 429mm	14.88 378mm	14.97 380mm	19.28 490mm	20.00 508mm	18.00 457mm
AM2068L	20.00 508mm	16.00 406mm	8.13 207mm	7.68 195mm	17.81 452mm	13.81 351mm	18.44 468mm	14.44 367mm	14.54 369mm	20.84 529mm	21.59 548mm	17.59 447mm

All dimensions are in inches unless otherwise noted.



Order Today: 419-636-4217, Fax: 419-636-2450, e-mail: sales@alliedmoulded.com



AM Series JIC Size Junction Boxes: Snap Latch Hinged Cover With Window

APPLICATION

- Designed to insulate and house electrical and electronic controls, instruments or components for indoor and outdoor applications
- Especially well suited for high temperature or corrosive environments
- Protects from dirt, dust, oil and water
- Window unit provides viewing area for instrumentation or equipment

STANDARDS

- UL Types 1, 2, 3, 4, 4X, 12, and 13
- CSA Types 1, 2, 3, 3R, 4, 4X, 12 and 13
- NEMA Types 1, 2, 3, 3R, 4, 4X, 12 and 13
- IEC 60529 Type IP66
- Compliant with RoHS directive (Restriction of Hazardous Substances)

CONSTRUCTION

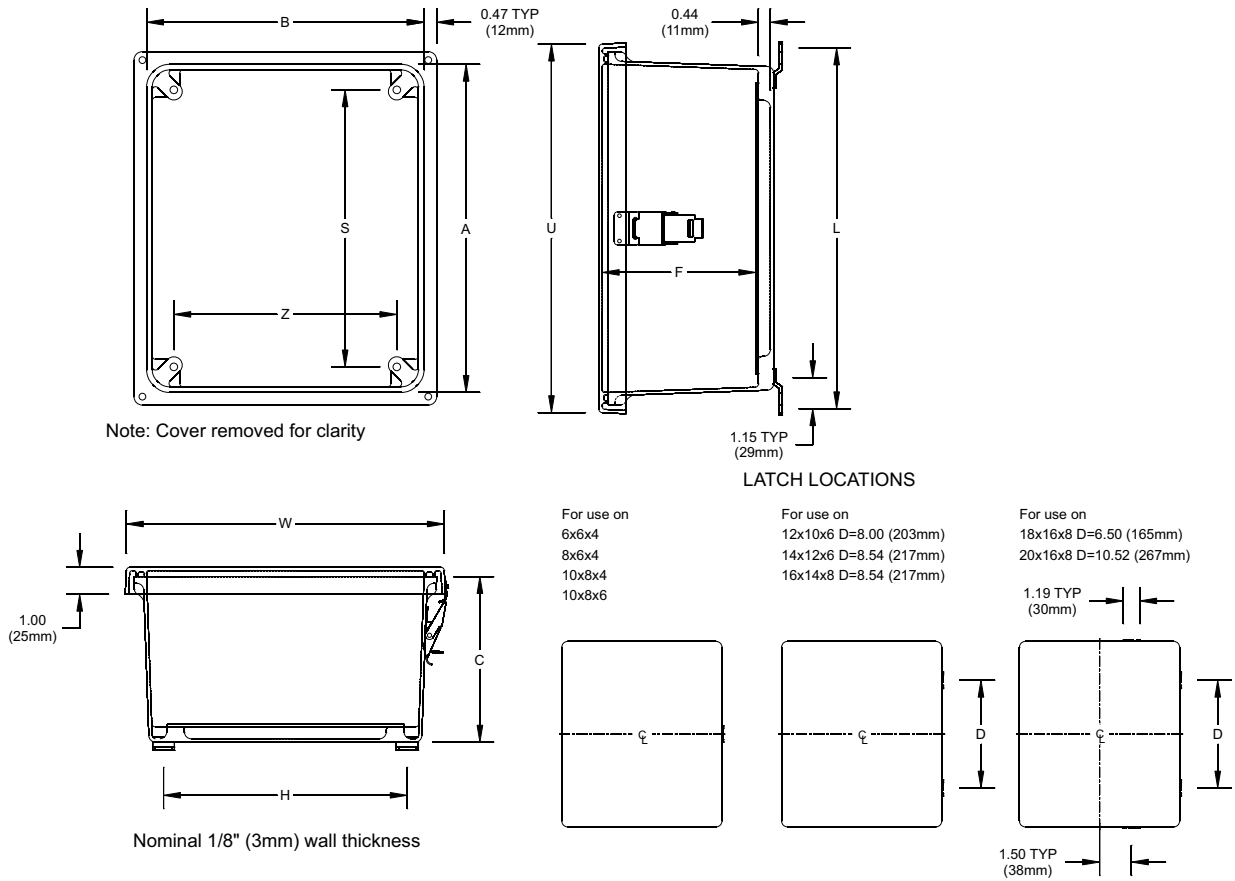
- Strong, molded Ultraguard® fiberglass reinforced polyester material construction with matching flat cover
- UV resistant polycarbonate viewing window
- 300 series stainless steel snap latches feature padlock hasp
- Continuous 300 series stainless steel hinge
- Gasket made of closed cell neoprene cord encased in a continuous channel
- 300 series stainless steel wall mounting feet with 10-32 stainless steel screws included
- 10-32 threaded inserts are installed for optional back panel
- JIC sizing
- Ultraguard® fiberglass material is easily punched, drilled or sawed
- UV stabilized for outdoor use

ACCESSORIES

- Optional back panels (See table on pages 100-101.)
- Optional thermal management products (See pages 103-104.)

MODIFICATIONS

- Custom holes and cutouts
- Molded-in color matches
- Hinge installed on short side
- EMI/RFI shielding
- Factory-supplied silk screening

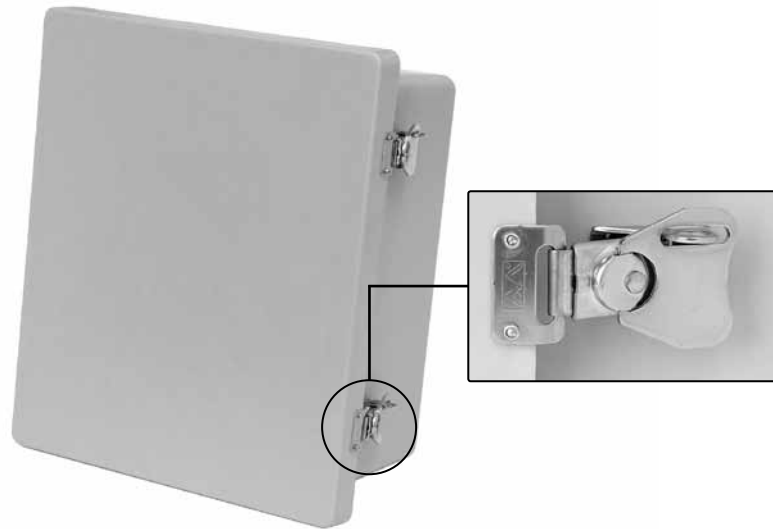


Part No.	Box Size			Usable Depth F	Panel Boss Centers		Panel Sizes		Foot Mount Centers		Cover Size		Window Dimension (height x width)
	A	B	C		S	Z	Height	Width	H	L	U	W	
AM664LW	6.10 155mm	6.10 155mm	4.18 106mm	3.76 96mm	4.25 108mm	4.25 108mm	4.81 122mm	4.81 122mm	5.01 127mm	7.32 186mm	7.69 195mm	7.69 195mm	4.25 X 4.25 108mm X 108mm
AM864LW	8.00 203mm	6.13 156mm	4.13 105mm	3.68 93mm	6.25 159mm	4.25 108mm	6.75 171mm	4.88 124mm	5.01 127mm	9.19 233mm	9.59 244mm	7.71 196mm	6.25 X 4.25 159mm X 108mm
AM1084LW	10.14 258mm	8.26 210mm	4.13 105mm	3.68 93mm	8.25 210mm	6.25 159mm	8.75 222mm	6.88 175mm	7.01 178mm	11.19 284mm	11.73 298mm	9.85 250mm	8.38 X 6.50 213mm X 159mm
AM1086LW	10.14 258mm	8.26 210mm	6.13 156mm	5.68 144mm	8.25 210mm	6.25 159mm	8.75 222mm	6.88 175mm	7.01 178mm	11.19 284mm	11.73 298mm	9.85 250mm	8.38 X 6.50 213mm X 159mm
AM1206LW	12.14 308mm	10.26 261mm	6.13 156mm	5.68 144mm	10.25 260mm	8.25 210mm	10.75 273mm	8.88 226mm	9.01 229mm	13.19 335mm	13.73 349mm	11.85 301mm	10.38 X 8.50 264mm X 216mm
AM1426LW	14.13 359mm	12.26 311mm	6.13 156mm	5.68 144mm	12.25 311mm	10.25 260mm	12.75 324mm	10.88 276mm	11.01 280mm	15.19 386mm	15.73 400mm	13.85 352mm	12.38 X 10.50 314mm X 267mm
AM1648LW	16.27 413mm	14.40 366mm	8.13 207mm	7.68 195mm	14.25 362mm	12.25 311mm	14.75 375mm	12.88 327mm	13.01 330mm	17.19 437mm	17.87 454mm	15.99 406mm	13.00 X 11.00 330mm X 279mm
AM1868LW	18.40 467mm	16.40 417mm	8.13 207mm	7.68 195mm	16.25 413mm	14.25 362mm	16.88 429mm	14.88 378mm	14.97 380mm	19.28 490mm	20.00 508mm	18.00 457mm	14.00 X 12.00 356mm X 305mm
AM2068LW	20.00 508mm	16.00 406mm	8.13 207mm	7.68 195mm	17.81 452mm	13.81 351mm	18.44 468mm	14.44 367mm	14.54 369mm	20.84 529mm	21.59 548mm	17.59 447mm	15.00 X 11.00 381mm X 279mm

All dimensions are in inches unless otherwise noted.



Order Today: 419-636-4217, Fax: 419-636-2450, e-mail: sales@alliedmoulded.com



AM Series JIC Size Junction Boxes: Twist Latch Hinged Cover

APPLICATION

- Designed to insulate and house electrical and electronic controls, instruments or components for indoor and outdoor applications
- Especially well suited for high temperature or corrosive environments
- Protects from dirt, dust, oil and water

STANDARDS

- UL Types 1, 2, 3, 4, 4X, 12, and 13
- CSA Types 1, 2, 3, 3R, 4, 4X, 12 and 13
- NEMA Types 1, 2, 3, 3R, 4, 4X, 12 and 13
- IEC 60529 Type IP66
- Compliant with RoHS directive (Restriction of Hazardous Substances)

CONSTRUCTION

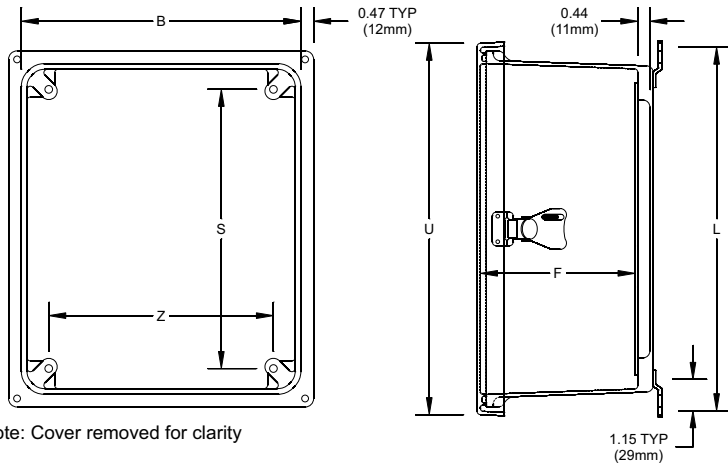
- Strong, molded Ultraguard® fiberglass reinforced polyester material construction with matching flat cover
- 300 series stainless steel twist latches feature padlock hasp
- Continuous 300 series stainless steel hinge
- Gasket made of closed cell neoprene cord encased in a continuous channel
- 300 series stainless steel wall mounting feet with 10-32 stainless steel screws included
- 10-32 threaded inserts are installed for optional back panel
- JIC sizing
- Ultraguard® fiberglass material is easily punched, drilled or sawed
- UV stabilized for outdoor use

ACCESSORIES

- Optional back panels (See table on pages 100-101.)
- Optional thermal management products (See pages 103-104.)

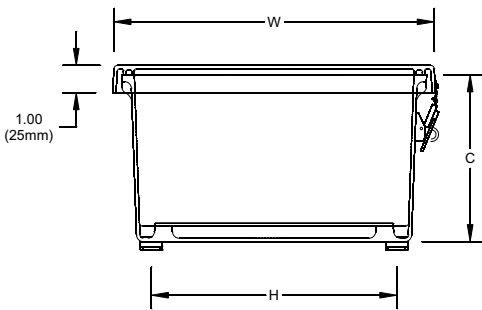
MODIFICATIONS

- Custom holes and cutouts
- Custom size polycarbonate viewing windows
- Molded-in color matches
- Hinge installed on short side
- EMI/RFI shielding
- Factory-supplied silk screening



Note: Cover removed for clarity

LATCH LOCATIONS

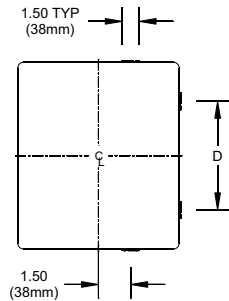
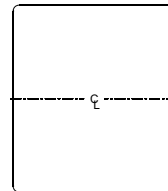
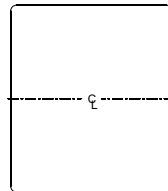


Nominal 1/8" (3mm) wall thickness

For use on
6x6x4
8x6x4
10x8x4
10x8x6

For use on
12x10x6 D=8.00 (203mm)
14x12x6 D=8.54 (217mm)
16x14x8 D=8.54 (217mm)

For use on
18x16x8 D=6.50 (165mm)
20x16x8 D=10.52 (267mm)

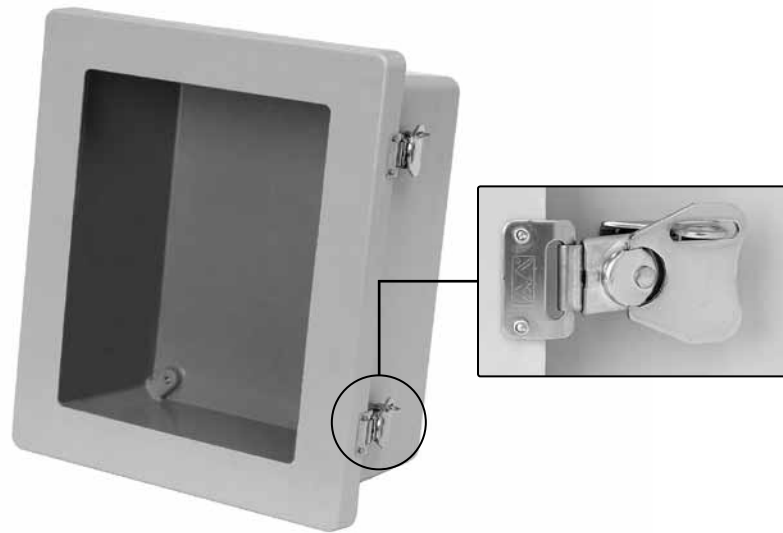


Part No.	Box Size			Usable Depth F	Panel Boss Centers		Panel Sizes		Foot Mount Centers		Cover Size	
	A	B	C		S	Z	Height	Width	H	L	U	W
AM664T	6.10 155mm	6.10 155mm	4.18 106mm	3.76 96mm	4.25 108mm	4.25 108mm	4.81 122mm	4.81 122mm	5.01 127mm	7.32 186mm	7.69 195mm	7.69 195mm
AM864T	8.00 203mm	6.13 156mm	4.13 105mm	3.68 93mm	6.25 159mm	4.25 108mm	6.75 171mm	4.88 124mm	5.01 127mm	9.19 233mm	9.59 244mm	7.71 196mm
AM1084T	10.14 258mm	8.26 210mm	4.13 105mm	3.68 93mm	8.25 210mm	6.25 159mm	8.75 222mm	6.88 175mm	7.01 178mm	11.19 284mm	11.73 298mm	9.85 250mm
AM1086T	10.14 258mm	8.26 210mm	6.13 156mm	5.68 144mm	8.25 210mm	6.25 159mm	8.75 222mm	6.88 175mm	7.01 178mm	11.19 284mm	11.73 298mm	9.85 250mm
AM1206T	12.14 308mm	10.26 261mm	6.13 156mm	5.68 144mm	10.25 260mm	8.25 210mm	10.75 273mm	8.88 226mm	9.01 229mm	13.19 335mm	13.73 349mm	11.85 301mm
AM1426T	14.13 359mm	12.26 311mm	6.13 156mm	5.68 144mm	12.25 311mm	10.25 260mm	12.75 324mm	10.88 276mm	11.01 280mm	15.19 386mm	15.73 400mm	13.85 352mm
AM1648T	16.27 413mm	14.40 366mm	8.13 207mm	7.68 195mm	14.25 362mm	12.25 311mm	14.75 375mm	12.88 327mm	13.01 330mm	17.19 437mm	17.87 454mm	15.99 406mm
AM1868T	18.40 467mm	16.40 417mm	8.13 207mm	7.68 195mm	16.25 413mm	14.25 362mm	16.88 429mm	14.88 378mm	14.97 380mm	19.28 490mm	20.00 508mm	18.00 457mm
AM2068T	20.00 508mm	16.00 406mm	8.13 207mm	7.68 195mm	17.81 452mm	13.81 351mm	18.44 468mm	14.44 367mm	14.54 369mm	20.84 529mm	21.59 548mm	17.59 447mm

All dimensions are in inches unless otherwise noted.



Order Today: 419-636-4217, Fax: 419-636-2450, e-mail: sales@alliedmoulded.com



AM Series JIC Size Junction Boxes: Twist Latch Hinged Cover With Window

APPLICATION

- Designed to insulate and house electrical and electronic controls, instruments or components for indoor and outdoor applications
- Especially well suited for high temperature or corrosive environments
- Protects from dirt, dust, oil and water
- Window unit provides viewing area for instrumentation or equipment

STANDARDS

- UL Types 1, 2, 3, 4, 4X, 12, and 13
- CSA Types 1, 2, 3, 3R, 4, 4X, 12 and 13
- NEMA Types 1, 2, 3, 3R, 4, 4X, 12 and 13
- IEC 60529 Type IP66
- Compliant with RoHS directive (Restriction of Hazardous Substances)

CONSTRUCTION

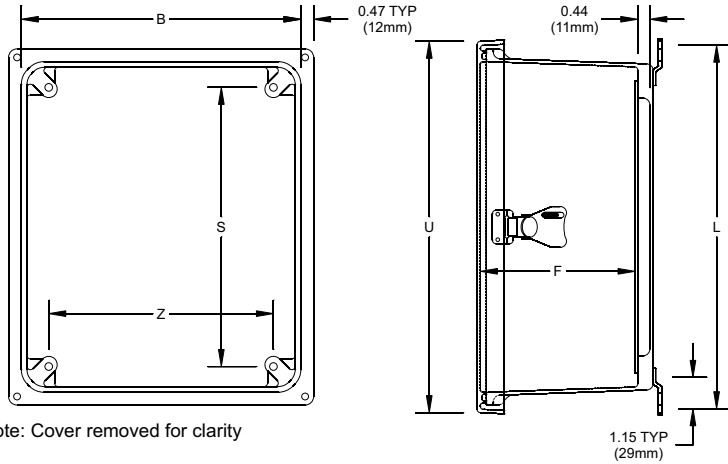
- Strong, molded Ultraguard® fiberglass reinforced polyester material construction with matching flat cover
- UV resistant polycarbonate viewing window
- 300 series stainless steel twist latches feature padlock hasp
- Continuous 300 series stainless steel hinge
- Gasket made of closed cell neoprene cord encased in a continuous channel
- 300 series stainless steel wall mounting feet with 10-32 stainless steel screws included
- 10-32 threaded inserts are installed for optional back panel
- JIC sizing
- Ultraguard® fiberglass material is easily punched, drilled or sawed
- UV stabilized for outdoor use

ACCESSORIES

- Optional back panels (See table on pages 100-101.)
- Optional thermal management products (See pages 103-104.)

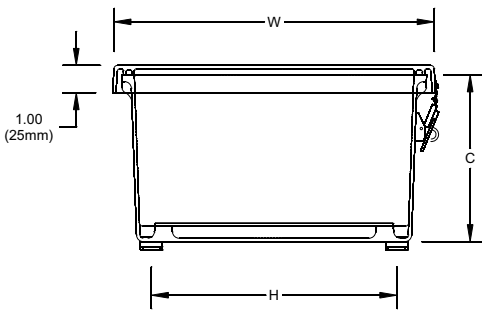
MODIFICATIONS

- Custom holes and cutouts
- Molded-in color matches
- Hinge installed on short side
- EMI/RFI shielding
- Factory-supplied silk screening



Note: Cover removed for clarity

LATCH LOCATIONS

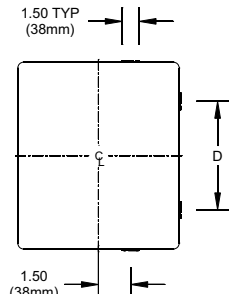
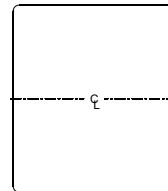
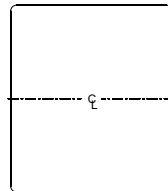


Nominal 1/8" (3mm) wall thickness

For use on
6x6x4
8x6x4
10x8x4
10x8x6

For use on
12x10x6 D=8.00 (203mm)
14x12x6 D=8.54 (217mm)
16x14x8 D=8.54 (217mm)

For use on
18x16x8 D=6.50 (165mm)
20x16x8 D=10.52 (267mm)



Part No.	Box Size			Usable Depth F	Panel Boss Centers		Panel Sizes		Foot Mount Centers		Cover Size		Window Dimension (height x width)
	A	B	C		S	Z	Height	Width	H	L	U	W	
AM664TW	6.10 155mm	6.10 155mm	4.18 106mm	3.76 96mm	4.25 108mm	4.25 108mm	4.81 122mm	4.81 122mm	5.01 127mm	7.32 186mm	7.69 195mm	7.69 195mm	4.25 X 4.25 108mm X 108mm
AM864TW	8.00 203mm	6.13 156mm	4.13 105mm	3.68 93mm	6.25 159mm	4.25 108mm	6.75 171mm	4.88 124mm	5.01 127mm	9.19 233mm	9.59 244mm	7.71 196mm	6.25 X 4.25 159mm X 108mm
AM1084TW	10.14 258mm	8.26 210mm	4.13 105mm	3.68 93mm	8.25 210mm	6.25 159mm	8.75 222mm	6.88 175mm	7.01 178mm	11.19 284mm	11.73 298mm	9.85 250mm	8.38 X 6.50 213mm X 159mm
AM1086TW	10.14 258mm	8.26 210mm	6.13 156mm	5.68 144mm	8.25 210mm	6.25 159mm	8.75 222mm	6.88 175mm	7.01 178mm	11.19 284mm	11.73 298mm	9.85 250mm	8.38 X 6.50 213mm X 159mm
AM1206TW	12.14 308mm	10.26 261mm	6.13 156mm	5.68 144mm	10.25 260mm	8.25 210mm	10.75 273mm	8.88 226mm	9.01 229mm	13.19 335mm	13.73 349mm	11.85 301mm	10.38 X 8.50 264mm X 216mm
AM1426TW	14.13 359mm	12.26 311mm	6.13 156mm	5.68 144mm	12.25 311mm	10.25 260mm	12.75 324mm	10.88 276mm	11.01 280mm	15.19 386mm	15.73 400mm	13.85 352mm	12.38 X 10.50 314mm X 267mm
AM1648TW	16.27 413mm	14.40 366mm	8.13 207mm	7.68 195mm	14.25 362mm	12.25 311mm	14.75 375mm	12.88 327mm	13.01 330mm	17.19 437mm	17.87 454mm	15.99 406mm	13.00 X 11.00 330mm X 279mm
AM1868TW	18.40 467mm	16.40 417mm	8.13 207mm	7.68 195mm	16.25 413mm	14.25 362mm	16.88 429mm	14.88 378mm	14.97 380mm	19.28 490mm	20.00 508mm	18.00 457mm	14.00 X 12.00 356mm X 305mm
AM2068TW	20.00 508mm	16.00 406mm	8.13 207mm	7.68 195mm	17.81 452mm	13.81 351mm	18.44 468mm	14.44 367mm	14.54 369mm	20.84 529mm	21.59 548mm	17.59 447mm	15.00 X 11.00 381mm X 279mm

All dimensions are in inches unless otherwise noted.



Order Today: 419-636-4217, Fax: 419-636-2450, e-mail: sales@alliedmoulded.com



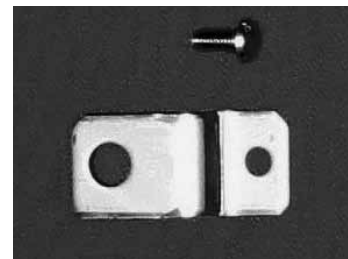
AM-R SERIES

The AM-R Series offers the same sizes and options as our AM series, with the added feature of a raised cover. The cover adds an additional 1 3/4" of depth to accommodate switches and other devices, and can be used with an optional hinged front panel for maximum configuration flexibility within a single enclosure.

AM-R Series enclosures insulate and protect controls and components in both indoor and outdoor applications, including high temperature and/or corrosive environments. Available in standard JIC sizes with a variety of latching options for any application.

AM-R Series Features & Benefits

- Molded Ultraguard® fiberglass reinforced polyester material construction for durability
- Continuous 300 series stainless steel hinge
- Closed-cell neoprene gasket encased in continuous channel
- Raised cover for additional depth
- 300 series stainless steel hardware and mounting feet
- Mounting panel inserts for optional back panel
- Optional Hinged Front Panels
- UV stabilized for outdoor use
- Continuous stainless steel hinge





Suitable Applications

- Electrical junctions
- Terminal wiring
- Electrical and electronic controls, instruments, components
- Housing pushbuttons, switches or other devices
- Other industrial control equipment

AM-R Series Specifications

- Non-corrosive
- Non-conductive
- Temperature-resistant
- Fire-resistant
- Rated NEMA 1, 2, 3, 3R, 4, 4X, 12, 13
- UL listed
- CSA certified
- Compliant with RoHS directive

Accessories

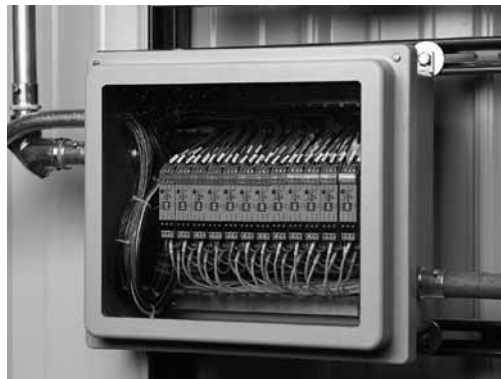
- Back panels available in painted carbon steel, aluminum, fiberglass, or galvanized steel
- Aluminum hinged front panel for configuration flexibility
- UV resistant polycarbonate viewing windows
- Thermal management products

Modifications

We are pleased to modify any of our standard products to fit your needs. We have the lowest volume requirements on custom work in the industry, and quick turnaround time.

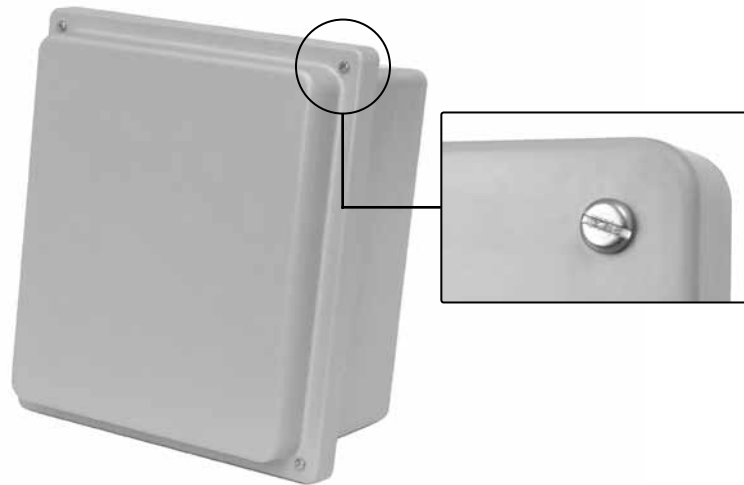
We can modify any of our AM-R Series enclosures with:

- Custom size holes and cutouts
- Custom size polycarbonate viewing windows
- Molded-in color matches



- Hinge installed on short side
- EMI/RFI shielding
- Factory-supplied silk screening

For complete details on factory modifications including a modification request form, see pages 107-109.



AM-R Series JIC Size Junction Boxes: Lift-Off Screw Cover

APPLICATION

- Designed to insulate and house electrical and electronic controls, instruments or components for indoor and outdoor applications
- Especially well suited for high temperature or corrosive environments
- Protects from dirt, dust, oil and water

STANDARDS

- UL Types 1, 2, 3, 4, 4X, 12, and 13 (6P for sizes 6" x 6" up through 14" x 12")
- CSA Types 1, 2, 3, 3R, 4, 4X, 12 and 13 (6P for sizes 6" x 6" up through 14" x 12")
- NEMA Types 1, 2, 3, 3R, 4, 4X, 12 and 13 (6P for sizes 6" x 6" up through 14" x 12")
- IEC 60529 Type IP66 and units rated for 6P or IP68 submersible up to 24 hours at a depth of 6 feet (1.8 meters)
- Compliant with RoHS directive (Restriction of Hazardous Substances)

CONSTRUCTION

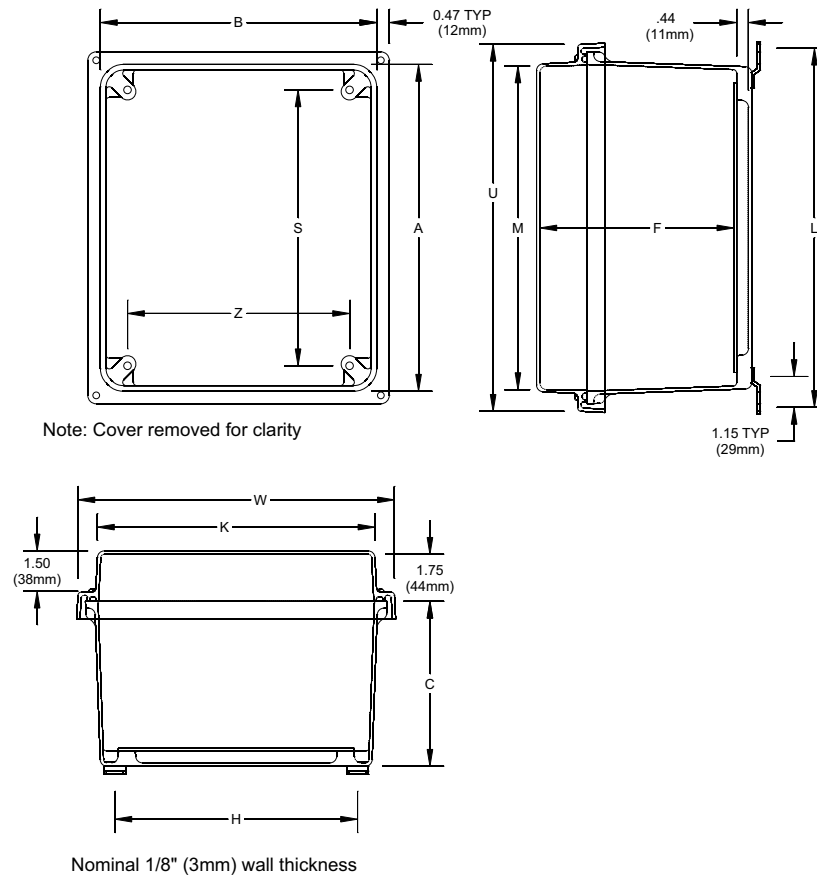
- Strong, molded Ultraguard® fiberglass reinforced polyester material construction with matching raised cover
- 300 series stainless steel captive cover screws
- Gasket made of closed-cell neoprene cord encased in a continuous channel
- 300 series stainless steel wall mounting feet with 10-32 stainless steel screws included
- 10-32 threaded inserts are installed for optional back panel
- JIC sizing
- Ultraguard® fiberglass material is easily punched, drilled or sawed
- UV stabilized for outdoor use

ACCESSORIES

- Optional back panels (See table on pages 100-101.)
- Optional hinged front panel (See table on page 102.)
- Optional thermal management products (See pages 103-104.)

MODIFICATIONS

- Custom size holes and cutouts
- Custom size polycarbonate viewing windows
- Molded-in color matches
- Hinge installed on short side
- EMI/RFI shielding
- Factory-supplied silk screening

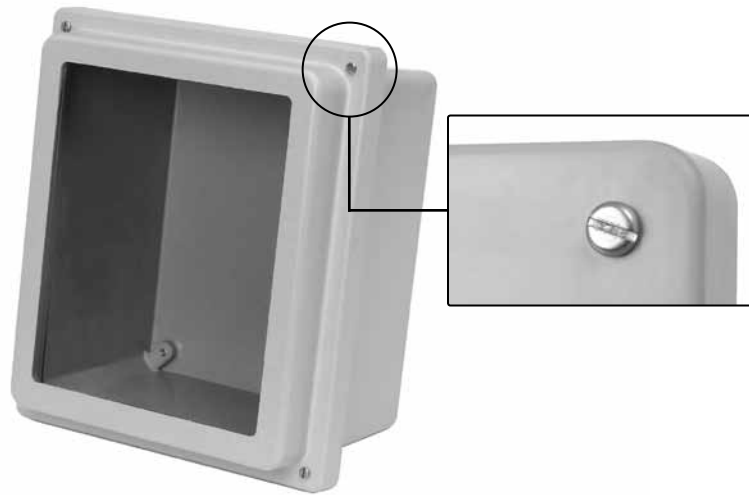


Part No.	Box Size			Usable Depth F	Panel Boss Centers		Panel Sizes		Foot Mount Centers		Cover Size			
	A	B	C		S	Z	Height	Width	H	L	K	M	U	W
AM664R	6.10 155mm	6.10 155mm	4.18 106mm	5.26 134mm	4.25 108mm	4.25 108mm	4.81 122mm	4.81 122mm	5.01 127mm	7.32 186mm	6.08 154mm	6.08 154mm	7.69 195mm	7.69 195mm
AM864R	8.00 203mm	6.13 156mm	4.13 105mm	5.21 132mm	6.25 159mm	4.25 108mm	6.75 171mm	4.88 124mm	5.01 127mm	9.19 233mm	6.11 155mm	7.98 203mm	9.59 244mm	7.71 196mm
AM1084R	10.14 258mm	8.26 210mm	4.13 105mm	5.21 132mm	8.25 210mm	6.25 159mm	8.75 222mm	6.88 175mm	7.01 178mm	11.19 284mm	8.44 214mm	10.32 262mm	11.73 298mm	9.85 250mm
AM1086R	10.14 258mm	8.26 210mm	6.13 156mm	7.21 183mm	8.25 210mm	6.25 159mm	8.75 222mm	6.88 175mm	7.01 178mm	11.19 284mm	8.44 214mm	10.32 262mm	11.73 298mm	9.85 250mm
AM1206R	12.14 308mm	10.26 261mm	6.13 156mm	7.21 183mm	10.25 260mm	8.25 210mm	10.75 273mm	8.88 226mm	9.01 229mm	13.19 335mm	10.45 265mm	12.32 313mm	13.73 349mm	11.85 301mm
AM1426R	14.13 359mm	12.26 311mm	6.13 156mm	7.21 183mm	12.25 311mm	10.25 260mm	12.75 324mm	10.88 276mm	11.01 280mm	15.19 386mm	12.45 316mm	14.32 364mm	15.73 400mm	13.85 352mm
AM1648R	16.27 413mm	14.40 366mm	8.13 207mm	9.21 234mm	14.25 362mm	12.25 311mm	14.75 375mm	12.88 327mm	13.01 330mm	17.19 437mm	13.86 352mm	15.73 400mm	17.87 454mm	15.99 406mm
AM1868R	18.40 467mm	16.40 417mm	8.13 207mm	9.21 234mm	16.25 413mm	14.25 362mm	16.88 429mm	14.88 378mm	14.97 380mm	19.28 490mm	15.86 403mm	17.86 454mm	20.00 508mm	18.00 457mm
AM2068R	20.00 508mm	16.00 406mm	8.13 207mm	9.21 234mm	17.81 452mm	13.81 351mm	18.44 468mm	14.44 367mm	14.54 369mm	20.84 529mm	15.43 392mm	19.43 494mm	21.59 548mm	17.59 447mm

All dimensions are in inches unless otherwise noted.
 Sizes 6" x 6" up through 14" x 12" are rated 6P (IP68)



Order Today: 419-636-4217, Fax: 419-636-2450, e-mail: sales@alliedmoulded.com



AM-R Series JIC Size Junction Boxes: Lift-Off Screw Cover With Window

APPLICATION

- Designed to insulate and house electrical and electronic controls, instruments or components for indoor and outdoor applications
- Especially well suited for high temperature or corrosive environments
- Protects from dirt, dust, oil and water
- Window unit provides viewing area for instrumentation or equipment

STANDARDS

- UL Types 1, 2, 3, 4, 4X, 12, and 13
- CSA Types 1, 2, 3, 3R, 4, 4X, 12 and 13
- NEMA Types 1, 2, 3, 3R, 4, 4X, 12 and 13
- IEC 60529 Type IP66
- Compliant with RoHS directive (Restriction of Hazardous Substances)

CONSTRUCTION

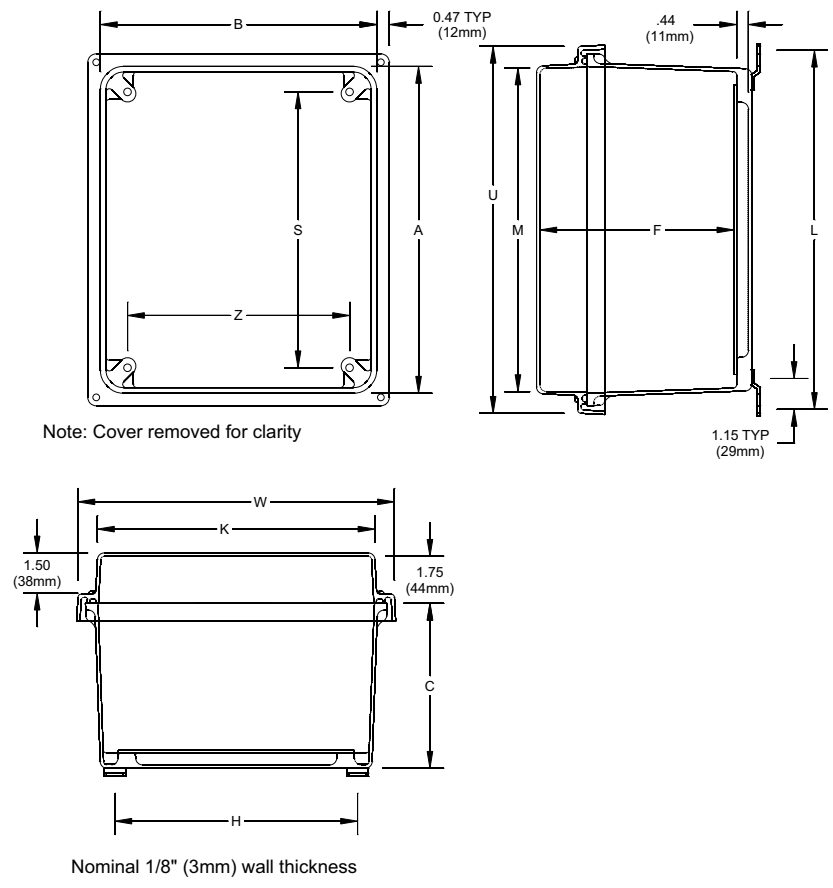
- Strong, molded Ultraguard® fiberglass reinforced polyester material construction with matching raised cover
- UV resistant polycarbonate viewing window
- 300 series stainless steel captive cover screws
- Gasket made of closed-cell neoprene cord encased in a continuous channel
- 300 series stainless steel wall mounting feet with 10-32 stainless steel screws included
- 10-32 threaded inserts are installed for optional back panel
- JIC sizing
- Ultraguard® fiberglass material is easily punched, drilled or sawed
- UV stabilized for outdoor use

ACCESSORIES

- Optional back panels (See table on pages 100-101.)
- Optional hinged front panel (See table on page 102.)
- Optional thermal management products (See pages 103-104.)

MODIFICATIONS

- Custom size holes and cutouts
- Molded-in color matches
- Hinge installed on short side
- EMI/RFI shielding
- Factory-supplied silk screening

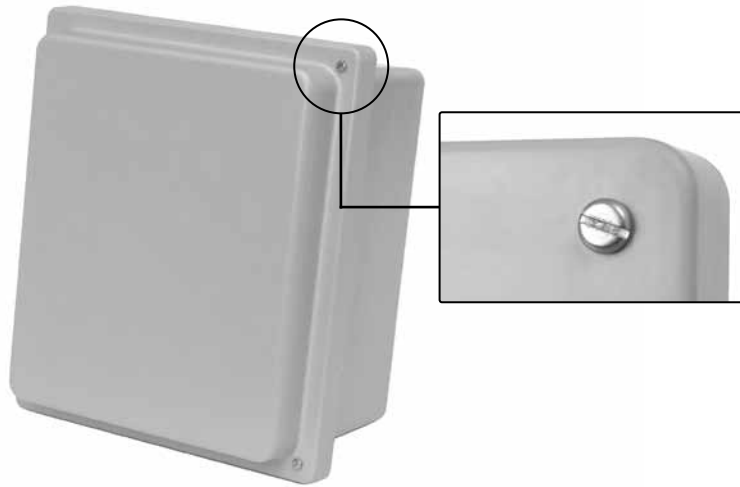


Part No.	Box Size			Usable Depth	Panel Boss Centers		Panel Sizes		Foot Mount Centers		Cover Size				Window Dimension (height x width)
	A	B	C		F	S	Z	Height	Width	H	L	K	M	U	
AM664RW	6.10	6.10	4.18	5.26	4.25	4.25	4.81	4.81	5.01	7.32	6.08	6.08	7.69	7.69	4.25 X 4.25
	155mm	155mm	106mm	134mm	108mm	108mm	122mm	122mm	127mm	186mm	154mm	154mm	195mm	195mm	108mm X 108mm
AM864RW	8.00	6.13	4.13	5.21	6.25	4.25	6.75	4.88	5.01	9.19	6.11	7.98	9.59	7.71	6.25 X 4.25
	203mm	156mm	105mm	132mm	159mm	108mm	171mm	124mm	127mm	233mm	155mm	203mm	244mm	196mm	159mm X 108mm
AM1084RW	10.14	8.26	4.13	5.21	8.25	6.25	8.75	6.88	7.01	11.19	8.44	10.32	11.73	9.85	8.38 X 6.50
	258mm	210mm	105mm	132mm	210mm	159mm	222mm	175mm	178mm	284mm	214mm	262mm	298mm	250mm	213mm X 159mm
AM1086RW	10.14	8.26	6.13	7.21	8.25	6.25	8.75	6.88	7.01	11.19	8.44	10.32	11.73	9.85	8.38 X 6.50
	258mm	210mm	156mm	183mm	210mm	159mm	222mm	175mm	178mm	284mm	214mm	262mm	298mm	250mm	213mm X 159mm
AM1206RW	12.14	10.26	6.13	7.21	10.25	8.25	10.75	8.88	9.01	13.19	10.45	12.32	13.73	11.85	10.38 X 8.50
	308mm	261mm	156mm	183mm	260mm	210mm	273mm	226mm	229mm	335mm	265mm	313mm	349mm	301mm	264mm X 216mm
AM1426RW	14.13	12.26	6.13	7.21	12.25	10.25	12.75	10.88	11.01	15.19	12.45	14.32	15.73	13.85	12.38 X 10.50
	359mm	311mm	156mm	183mm	311mm	260mm	324mm	276mm	280mm	386mm	316mm	364mm	400mm	352mm	314mm X 267mm
AM1648RW	16.27	14.40	8.13	9.21	14.25	12.25	14.75	12.88	13.01	17.19	13.86	15.73	17.87	15.99	13.00 X 11.00
	413mm	366mm	207mm	234mm	362mm	311mm	375mm	327mm	330mm	437mm	352mm	400mm	454mm	406mm	330mm X 279mm
AM1868RW	18.40	16.40	8.13	9.21	16.25	14.25	16.88	14.88	14.97	19.28	15.86	17.86	20.00	18.00	14.00 X 12.00
	467mm	417mm	207mm	234mm	413mm	362mm	429mm	378mm	380mm	490mm	403mm	454mm	508mm	457mm	356mm X 305mm
AM2068RW	20.00	16.00	8.13	9.21	17.81	13.81	18.44	14.44	14.54	20.84	15.43	19.43	21.59	17.59	15.00 X 11.00
	508mm	406mm	207mm	234mm	452mm	351mm	468mm	367mm	369mm	529mm	392mm	494mm	548mm	447mm	381mm X 279mm

All dimensions are in inches unless otherwise noted.



Order Today: 419-636-4217, Fax: 419-636-2450, e-mail: sales@alliedmoulded.com



AM-R Series JIC Size Junction Boxes: Hinged Screw Cover

APPLICATION

- Designed to insulate and house electrical and electronic controls, instruments or components for indoor and outdoor applications
- Especially well suited for high temperature or corrosive environments
- Protects from dirt, dust, oil and water

STANDARDS

- UL Types 1, 2, 3, 4, 4X, 12, and 13
- CSA Types 1, 2, 3, 3R, 4, 4X, 12 and 13
- NEMA Types 1, 2, 3, 3R, 4, 4X, 12 and 13
- IEC 60529 Type IP66
- Compliant with RoHS directive (Restriction of Hazardous Substances)

CONSTRUCTION

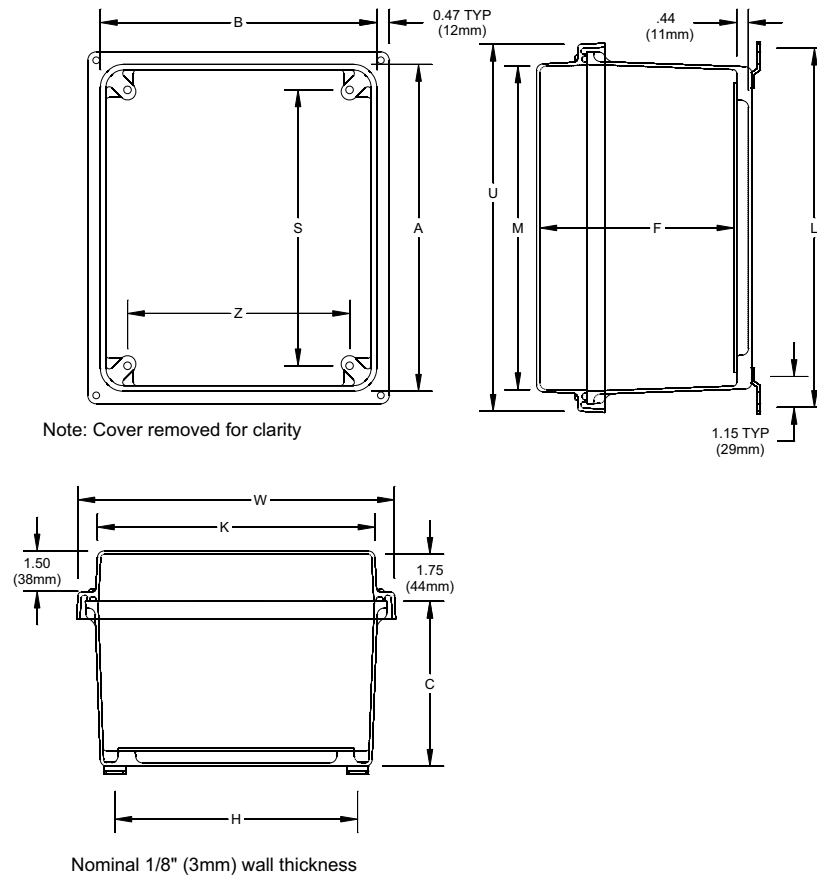
- Strong, molded Ultraguard® fiberglass reinforced polyester material construction with matching raised cover
- 300 series stainless steel captive cover screws
- Continuous 300 series stainless steel hinge
- Gasket made of closed-cell neoprene cord encased in a continuous channel
- 300 series stainless steel wall mounting feet with 10-32 stainless steel screws included
- 10-32 threaded inserts are installed for optional back panel
- JIC sizing
- Ultraguard® fiberglass material is easily punched, drilled or sawed
- UV stabilized for outdoor use

ACCESSORIES

- Optional back panels (See table on pages 100-101.)
- Optional hinged front panel (See table on page 102.)
- Optional thermal management products (See pages 103-104.)

MODIFICATIONS

- Custom size holes and cutouts
- Custom size polycarbonate viewing windows
- Molded-in color matches
- Hinge installed on short side
- EMI/RFI shielding
- Factory-supplied silk screening

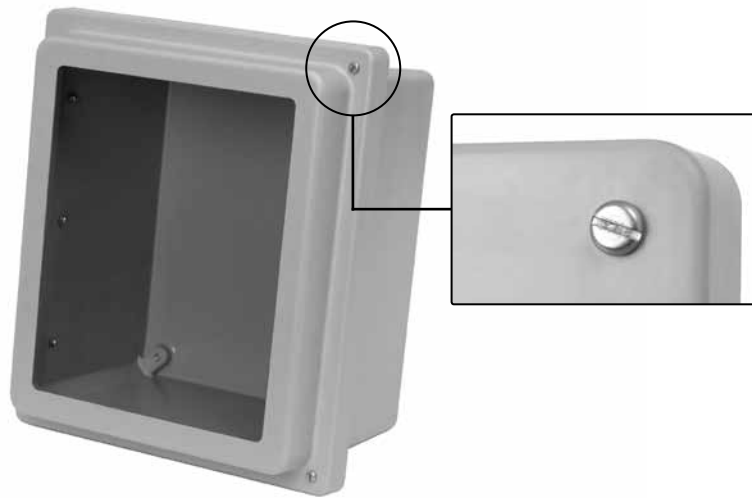


Part No.	Box Size			Usable Depth F	Panel Boss Centers		Panel Sizes		Foot Mount Centers		Cover Size			
	A	B	C		S	Z	Height	Width	H	L	K	M	U	W
AM664RH	6.10 155mm	6.10 155mm	4.18 106mm	5.26 134mm	4.25 108mm	4.25 108mm	4.81 122mm	4.81 122mm	5.01 127mm	7.32 186mm	6.08 154mm	6.08 154mm	7.69 195mm	7.69 195mm
AM864RH	8.00 203mm	6.13 156mm	4.13 105mm	5.21 132mm	6.25 159mm	4.25 108mm	6.75 171mm	4.88 124mm	5.01 127mm	9.19 233mm	6.11 155mm	7.98 203mm	9.59 244mm	7.71 196mm
AM1084RH	10.14 258mm	8.26 210mm	4.13 105mm	5.21 132mm	8.25 210mm	6.25 159mm	8.75 222mm	6.88 175mm	7.01 178mm	11.19 284mm	8.44 214mm	10.32 262mm	11.73 298mm	9.85 250mm
AM1086RH	10.14 258mm	8.26 210mm	6.13 156mm	7.21 183mm	8.25 210mm	6.25 159mm	8.75 222mm	6.88 175mm	7.01 178mm	11.19 284mm	8.44 214mm	10.32 262mm	11.73 298mm	9.85 250mm
AM1206RH	12.14 308mm	10.26 261mm	6.13 156mm	7.21 183mm	10.25 260mm	8.25 210mm	10.75 273mm	8.88 226mm	9.01 229mm	13.19 335mm	10.45 265mm	12.32 313mm	13.73 349mm	11.85 301mm
AM1426RH	14.13 359mm	12.26 311mm	6.13 156mm	7.21 183mm	12.25 311mm	10.25 260mm	12.75 324mm	10.88 276mm	11.01 280mm	15.19 386mm	12.45 316mm	14.32 364mm	15.73 400mm	13.85 352mm
AM1648RH	16.27 413mm	14.40 366mm	8.13 207mm	9.21 234mm	14.25 362mm	12.25 311mm	14.75 375mm	12.88 327mm	13.01 330mm	17.19 437mm	13.86 352mm	15.73 400mm	17.87 454mm	15.99 406mm
AM1868RH	18.40 467mm	16.40 417mm	8.13 207mm	9.21 234mm	16.25 413mm	14.25 362mm	16.88 429mm	14.88 378mm	14.97 380mm	19.28 490mm	15.86 403mm	17.86 454mm	20.00 508mm	18.00 457mm
AM2068RH	20.00 508mm	16.00 406mm	8.13 207mm	9.21 234mm	17.81 452mm	13.81 351mm	18.44 468mm	14.44 367mm	14.54 369mm	20.84 529mm	15.43 392mm	19.43 494mm	21.59 548mm	17.59 447mm

All dimensions are in inches unless otherwise noted.



Order Today: 419-636-4217, Fax: 419-636-2450, e-mail: sales@alliedmoulded.com



AM-R Series JIC Size Junction Boxes: Hinged Screw Cover With Window

APPLICATION

- Designed to insulate and house electrical and electronic controls, instruments or components for indoor and outdoor applications
- Especially well suited for high temperature or corrosive environments
- Protects from dirt, dust, oil and water
- Window unit provides viewing area for instrumentation or equipment

STANDARDS

- UL Types 1, 2, 3, 4, 4X, 12, and 13
- CSA Types 1, 2, 3, 3R, 4, 4X, 12 and 13
- NEMA Types 1, 2, 3, 3R, 4, 4X, 12 and 13
- IEC 60529 Type IP66
- Compliant with RoHS directive (Restriction of Hazardous Substances)

CONSTRUCTION

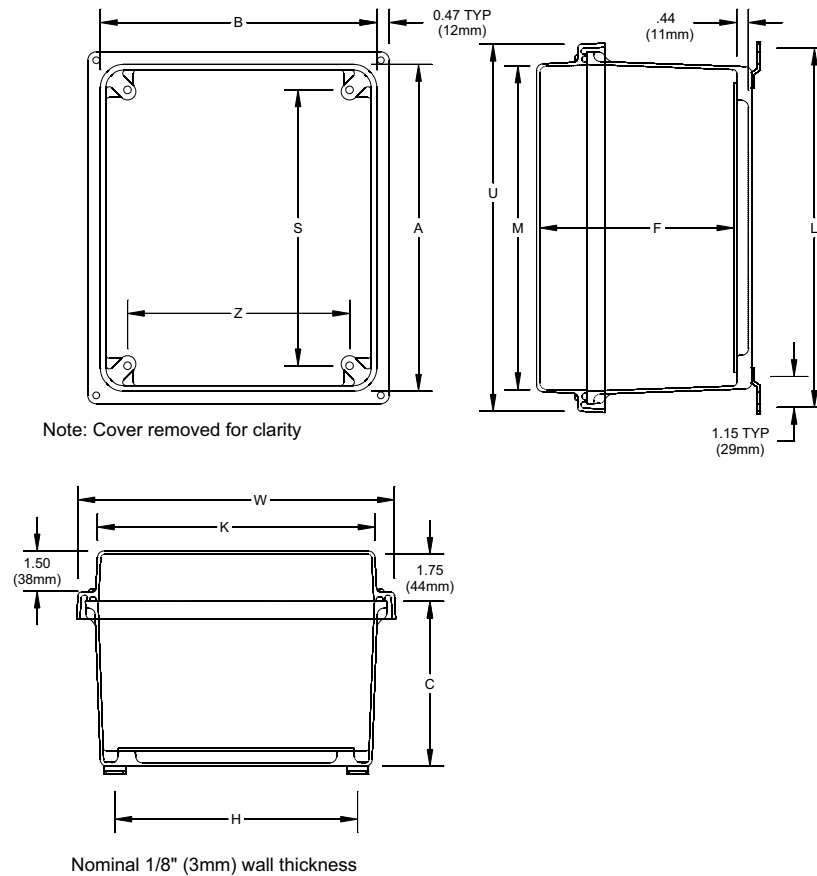
- Strong, molded Ultraguard® fiberglass reinforced polyester material construction with matching raised cover
- UV resistant polycarbonate viewing window
- 300 series stainless steel captive cover screws
- Continuous 300 series stainless steel hinge
- Gasket made of closed-cell neoprene cord encased in a continuous channel
- 300 series stainless steel wall mounting feet with 10-32 stainless steel screws included
- 10-32 threaded inserts are installed for optional back panel
- JIC sizing
- Ultraguard® fiberglass material is easily punched, drilled or sawed
- UV stabilized for outdoor use

ACCESSORIES

- Optional back panels (See table on pages 100-101.)
- Optional hinged front panel (See table on page 102.)
- Optional thermal management products (See pages 103-104.)

MODIFICATIONS

- Custom size holes and cutouts
- Molded-in color matches
- Hinge installed on short side
- EMI/RFI shielding
- Factory-supplied silk screening

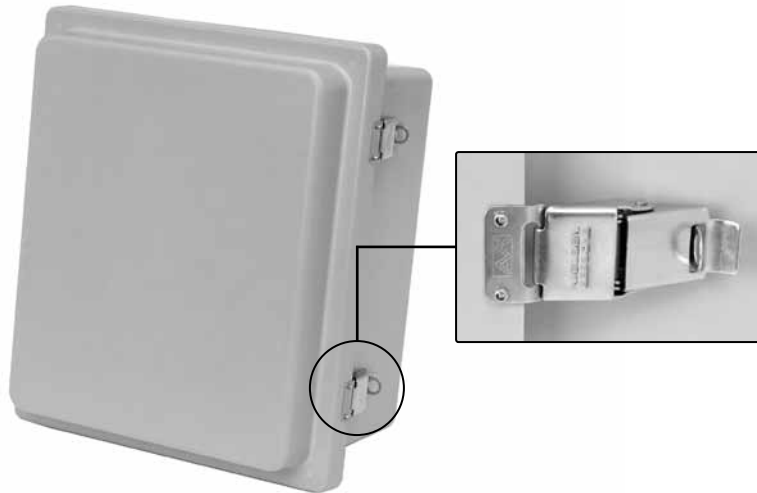


Part No.	Box Size			Usable Depth	Panel Boss Centers		Panel Sizes		Foot Mount Centers		Cover Size				Window Dimension (height x width)
	A	B	C		F	S	Z	Height	Width	H	L	K	M	U	
AM664RHW	6.10	6.10	4.18	5.26	4.25	4.25	4.81	4.81	5.01	7.32	6.08	6.08	7.69	7.69	4.25 X 4.25
	155mm	155mm	106mm	134mm	108mm	108mm	122mm	122mm	127mm	186mm	154mm	154mm	195mm	195mm	108mm X 108mm
AM864RHW	8.00	6.13	4.13	5.21	6.25	4.25	6.75	4.88	5.01	9.19	6.11	7.98	9.59	7.71	6.25 X 4.25
	203mm	156mm	105mm	132mm	159mm	108mm	171mm	124mm	127mm	233mm	155mm	203mm	244mm	196mm	159mm X 108mm
AM1084RHW	10.14	8.26	4.13	5.21	8.25	6.25	8.75	6.88	7.01	11.19	8.44	10.32	11.73	9.85	8.38 X 6.50
	258mm	210mm	105mm	132mm	210mm	159mm	222mm	175mm	178mm	284mm	214mm	262mm	298mm	250mm	213mm X 159mm
AM1086RHW	10.14	8.26	6.13	7.21	8.25	6.25	8.75	6.88	7.01	11.19	8.44	10.32	11.73	9.85	8.38 X 6.50
	258mm	210mm	156mm	183mm	210mm	159mm	222mm	175mm	178mm	284mm	214mm	262mm	298mm	250mm	213mm X 159mm
AM1206RHW	12.14	10.26	6.13	7.21	10.25	8.25	10.75	8.88	9.01	13.19	10.45	12.32	13.73	11.85	10.38 X 8.50
	308mm	261mm	156mm	183mm	260mm	210mm	273mm	226mm	229mm	335mm	265mm	313mm	349mm	301mm	264mm X 216mm
AM1426RHW	14.13	12.26	6.13	7.21	12.25	10.25	12.75	10.88	11.01	15.19	12.45	14.32	15.73	13.85	12.38 X 10.50
	359mm	311mm	156mm	183mm	311mm	260mm	324mm	276mm	280mm	386mm	316mm	364mm	400mm	352mm	314mm X 267mm
AM1648RHW	16.27	14.40	8.13	9.21	14.25	12.25	14.75	12.88	13.01	17.19	13.86	15.73	17.87	15.99	13.00 X 11.00
	413mm	366mm	207mm	234mm	362mm	311mm	375mm	327mm	330mm	437mm	352mm	400mm	454mm	406mm	330mm X 279mm
AM1868RHW	18.40	16.40	8.13	9.21	16.25	14.25	16.88	14.88	14.97	19.28	15.86	17.86	20.00	18.00	14.00 X 12.00
	467mm	417mm	207mm	234mm	413mm	362mm	429mm	378mm	380mm	490mm	403mm	454mm	508mm	457mm	356mm X 305mm
AM2068RHW	20.00	16.00	8.13	9.21	17.81	13.81	18.44	14.44	14.54	20.84	15.43	19.43	21.59	17.59	15.00 X 11.00
	508mm	406mm	207mm	234mm	452mm	351mm	468mm	367mm	369mm	529mm	392mm	494mm	548mm	447mm	381mm X 279mm

All dimensions are in inches unless otherwise noted.



Order Today: 419-636-4217, Fax: 419-636-2450, e-mail: sales@alliedmoulded.com



AM-R Series JIC Size Junction Boxes: Snap Latch Hinged Cover

APPLICATION

- Designed to insulate and house electrical and electronic controls, instruments or components for indoor and outdoor applications
- Especially well suited for high temperature or corrosive environments
- Protects from dirt, dust, oil and water

STANDARDS

- UL Types 1, 2, 3, 4, 4X, 12, and 13
- CSA Types 1, 2, 3, 3R, 4, 4X, 12 and 13
- NEMA Types 1, 2, 3, 3R, 4, 4X, 12 and 13
- IEC 60529 Type IP66
- Compliant with RoHS directive (Restriction of Hazardous Substances)

CONSTRUCTION

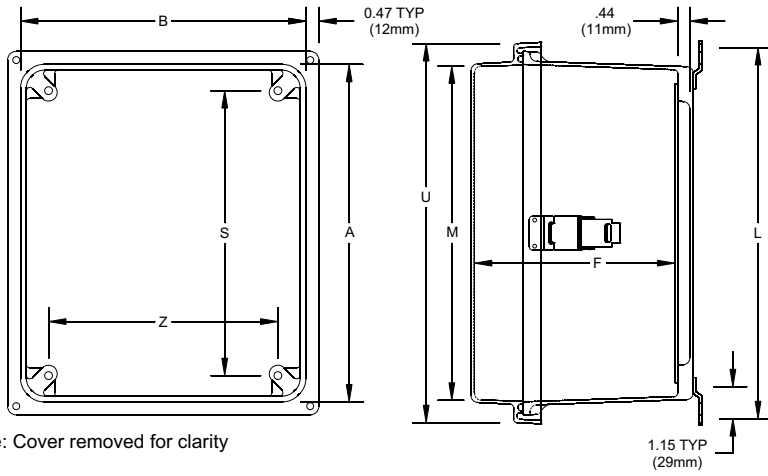
- Strong, molded Ultraguard® fiberglass reinforced polyester material construction with matching raised cover
- 300 series stainless steel snap latches feature padlock hasp
- Continuous 300 series stainless steel hinge
- Gasket made of closed-cell neoprene cord encased in a continuous channel
- 300 series stainless steel wall mounting feet with 10-32 stainless steel screws included
- 10-32 threaded inserts are installed for optional back panel
- JIC sizing
- Ultraguard® fiberglass material is easily punched, drilled or sawed
- UV stabilized for outdoor use

ACCESSORIES

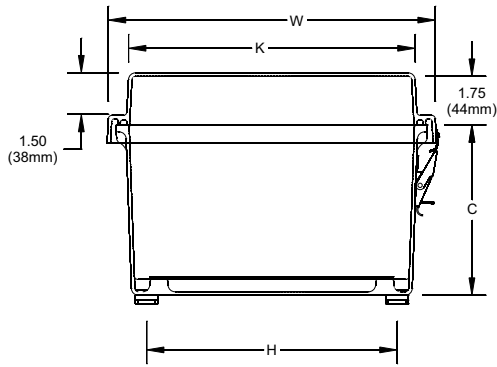
- Optional back panels (See table on pages 100-101.)
- Optional hinged front panel (See table on page 102.)
- Optional thermal management products (See pages 103-104.)

MODIFICATIONS

- Custom size holes and cutouts
- Custom size polycarbonate viewing windows
- Molded-in color matches
- Hinge installed on short side
- EMI/RFI shielding
- Factory-supplied silk screening



Note: Cover removed for clarity



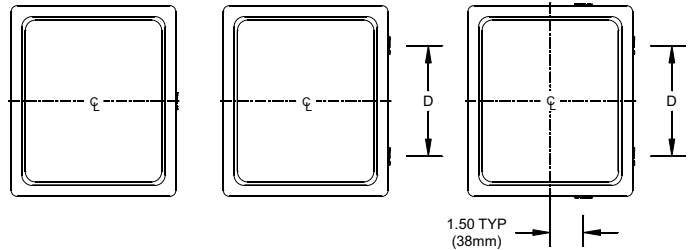
Nominal 1/8" (3mm) wall thickness

LATCH LOCATIONS

For use on
6x6x4
8x6x4
10x8x4
10x8x6

For use on
12x10x6 D=8.00 (203mm)
14x12x6 D=8.54 (217mm)
16x14x8 D=8.54 (217mm)

For use on
18x16x8 D=6.50 (165mm)
20x16x8 D=10.52 (267mm)

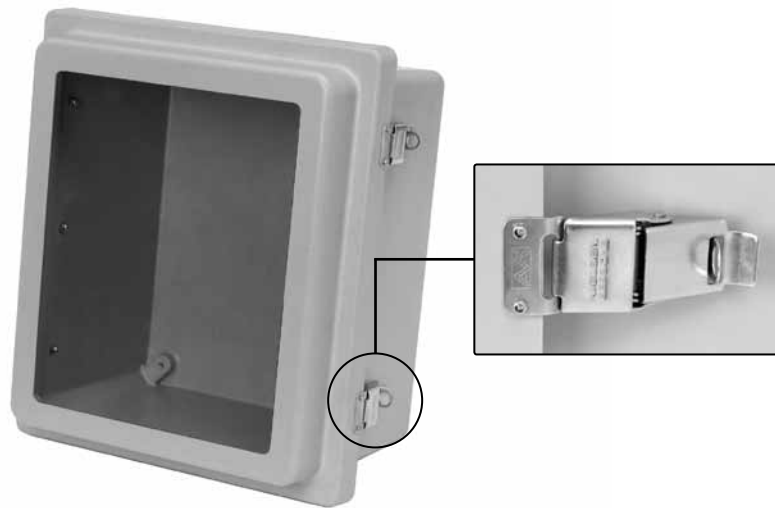


Part No.	Box Size			Usable Depth F	Panel Boss Centers		Panel Sizes		Foot Mount Centers		Cover Size			
	A	B	C		S	Z	Height	Width	H	L	K	M	U	W
AM664RL	6.10 155mm	6.10 155mm	4.18 106mm	5.26 134mm	4.25 108mm	4.25 108mm	4.81 122mm	4.81 122mm	5.01 127mm	7.32 186mm	6.08 154mm	6.08 154mm	7.69 195mm	7.69 195mm
AM864RL	8.00 203mm	6.13 156mm	4.13 105mm	5.21 132mm	6.25 159mm	4.25 108mm	6.75 171mm	4.88 124mm	5.01 127mm	9.19 233mm	6.11 155mm	7.98 203mm	9.59 244mm	7.71 196mm
AM1084RL	10.14 258mm	8.26 210mm	4.13 105mm	5.21 132mm	8.25 210mm	6.25 159mm	8.75 222mm	6.88 175mm	7.01 178mm	11.19 284mm	8.44 214mm	10.32 262mm	11.73 298mm	9.85 250mm
AM1086RL	10.14 258mm	8.26 210mm	6.13 156mm	7.21 183mm	8.25 210mm	6.25 159mm	8.75 222mm	6.88 175mm	7.01 178mm	11.19 284mm	8.44 214mm	10.32 262mm	11.73 298mm	9.85 250mm
AM1206RL	12.14 308mm	10.26 261mm	6.13 156mm	7.21 183mm	10.25 260mm	8.25 210mm	10.75 273mm	8.88 226mm	9.01 229mm	13.19 335mm	10.45 265mm	12.32 313mm	13.73 349mm	11.85 301mm
AM1426RL	14.13 359mm	12.26 311mm	6.13 156mm	7.21 183mm	12.25 311mm	10.25 260mm	12.75 324mm	10.88 276mm	11.01 280mm	15.19 386mm	12.45 316mm	14.32 364mm	15.73 400mm	13.85 352mm
AM1648RL	16.27 413mm	14.40 366mm	8.13 207mm	9.21 234mm	14.25 362mm	12.25 311mm	14.75 375mm	12.88 327mm	13.01 330mm	17.19 437mm	13.86 352mm	15.73 400mm	17.87 454mm	15.99 406mm
AM1868RL	18.40 467mm	16.40 417mm	8.13 207mm	9.21 234mm	16.25 413mm	14.25 362mm	16.88 429mm	14.88 378mm	14.97 380mm	19.28 490mm	15.86 403mm	17.86 454mm	20.00 508mm	18.00 457mm
AM2068RL	20.00 508mm	16.00 406mm	8.13 207mm	9.21 234mm	17.81 452mm	13.81 351mm	18.44 468mm	14.44 367mm	14.54 369mm	20.84 529mm	15.43 392mm	19.43 494mm	21.59 548mm	17.59 447mm

All dimensions are in inches unless otherwise noted.



Order Today: 419-636-4217, Fax: 419-636-2450, e-mail: sales@alliedmoulded.com



AM-R Series JIC Size Junction Boxes: Snap Latch Hinged Cover With Window

APPLICATION

- Designed to insulate and house electrical and electronic controls, instruments or components for indoor and outdoor applications
- Especially well suited for high temperature or corrosive environments
- Protects from dirt, dust, oil and water
- Window unit provides viewing area for instrumentation or equipment

STANDARDS

- UL Types 1, 2, 3, 4, 4X, 12, and 13
- CSA Types 1, 2, 3, 3R, 4, 4X, 12 and 13
- NEMA Types 1, 2, 3, 3R, 4, 4X, 12 and 13
- IEC 60529 Type IP66
- Compliant with RoHS directive (Restriction of Hazardous Substances)

CONSTRUCTION

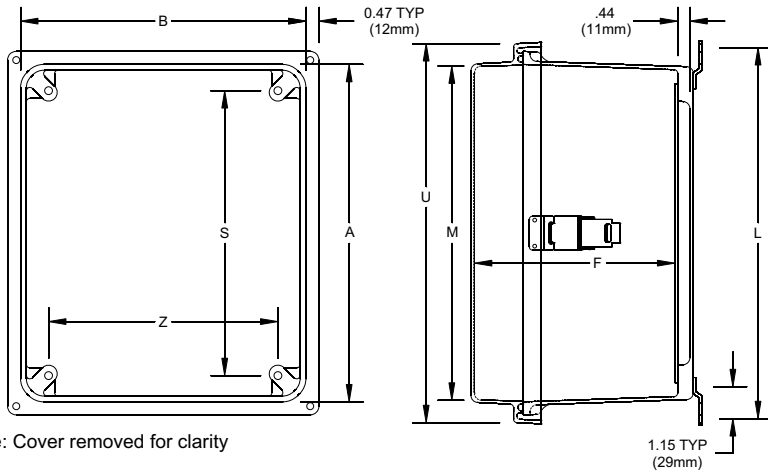
- Strong, molded Ultraguard® fiberglass reinforced polyester material construction with matching raised cover
- UV resistant polycarbonate viewing window
- 300 series stainless steel snap latches feature padlock hasp
- Continuous 300 series stainless steel hinge
- Gasket made of closed-cell neoprene cord encased in a continuous channel
- 300 series stainless steel wall mounting feet with 10-32 stainless steel screws included
- 10-32 threaded inserts are installed for optional back panel
- JIC sizing
- Ultraguard® fiberglass material is easily punched, drilled or sawed
- UV stabilized for outdoor use

ACCESSORIES

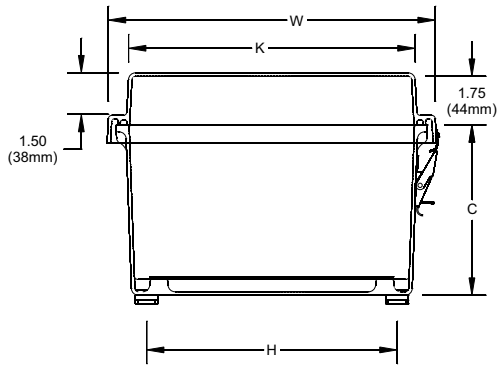
- Optional back panels (See table on pages 100-101.)
- Optional hinged front panel (See table on page 102.)
- Optional thermal management products (See pages 103-104.)

MODIFICATIONS

- Custom size holes and cutouts
- Molded-in color matches
- Hinge installed on short side
- EMI/RFI shielding
- Factory-supplied silk screening



Note: Cover removed for clarity



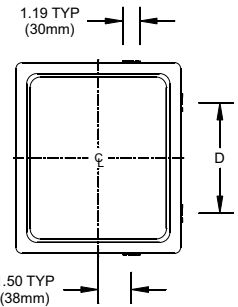
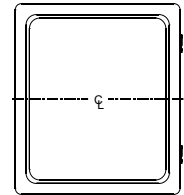
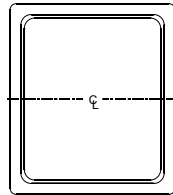
Nominal 1/8" (3mm) wall thickness

LATCH LOCATIONS

For use on
6x6x4
8x6x4
10x8x4
10x8x6

For use on
12x10x6 D=8.00 (203mm)
14x12x6 D=8.54 (217mm)
16x14x8 D=8.54 (217mm)

For use on
18x16x8 D=6.50 (165mm)
20x16x8 D=10.52 (267mm)

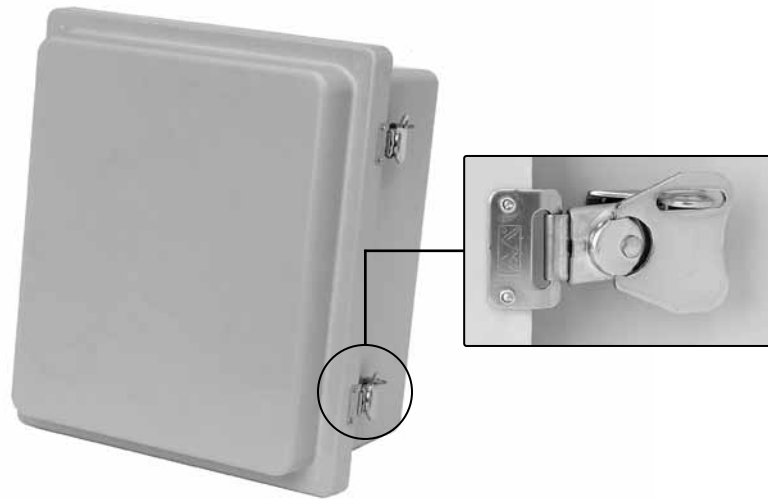


Part No.	Box Size			Usable Depth F	Panel Boss Centers		Panel Sizes		Foot Mount Centers		Cover Size				Window Dimension (height x width)
	A	B	C		S	Z	Height	Width	H	L	K	M	U	W	
AM664RLW	6.10 155mm	6.10 155mm	4.18 106mm	5.26 134mm	4.25 108mm	4.25 108mm	4.81 122mm	4.81 122mm	5.01 127mm	7.32 186mm	6.08 154mm	6.08 154mm	7.69 195mm	7.69 195mm	4.25 X 4.25 108mm X 108mm
AM864RLW	8.00 203mm	6.13 156mm	4.13 105mm	5.21 132mm	6.25 159mm	4.25 108mm	6.75 171mm	4.88 124mm	5.01 127mm	9.19 233mm	6.11 155mm	7.98 203mm	9.59 244mm	7.71 196mm	6.25 X 4.25 159mm X 108mm
AM1084RLW	10.14 258mm	8.26 210mm	4.13 105mm	5.21 132mm	8.25 210mm	6.25 159mm	8.75 222mm	6.88 175mm	7.01 178mm	11.19 284mm	8.44 214mm	10.32 262mm	11.73 298mm	9.85 250mm	8.38 X 6.50 213mm X 159mm
AM1086RLW	10.14 258mm	8.26 210mm	6.13 156mm	7.21 183mm	8.25 210mm	6.25 159mm	8.75 222mm	6.88 175mm	7.01 178mm	11.19 284mm	8.44 214mm	10.32 262mm	11.73 298mm	9.85 250mm	8.38 X 6.50 213mm X 159mm
AM1206RLW	12.14 308mm	10.26 261mm	6.13 156mm	7.21 183mm	10.25 260mm	8.25 210mm	10.75 273mm	8.88 226mm	9.01 229mm	13.19 335mm	10.45 265mm	12.32 313mm	13.73 349mm	11.85 301mm	10.38 X 8.50 264mm X 216mm
AM1426RLW	14.13 359mm	12.26 311mm	6.13 156mm	7.21 183mm	12.25 311mm	10.25 260mm	12.75 324mm	10.88 276mm	11.01 280mm	15.19 386mm	12.45 316mm	14.32 364mm	15.73 400mm	13.85 352mm	12.38 X 10.50 314mm X 267mm
AM1648RLW	16.27 413mm	14.40 366mm	8.13 207mm	9.21 234mm	14.25 362mm	12.25 311mm	14.75 375mm	12.88 327mm	13.01 330mm	17.19 437mm	13.86 352mm	15.73 400mm	17.87 454mm	15.99 406mm	13.00 X 11.00 330mm X 279mm
AM1868RLW	18.40 467mm	16.40 417mm	8.13 207mm	9.21 234mm	16.25 413mm	14.25 362mm	16.88 429mm	14.88 378mm	14.97 380mm	19.28 490mm	15.86 403mm	17.86 454mm	20.00 508mm	18.00 457mm	14.00 X 12.00 356mm X 305mm
AM2068RLW	20.00 508mm	16.00 406mm	8.13 207mm	9.21 234mm	17.81 452mm	13.81 351mm	18.44 468mm	14.44 367mm	14.54 369mm	20.84 529mm	15.43 392mm	19.43 494mm	21.59 548mm	17.59 447mm	15.00 X 11.00 381mm X 279mm

All dimensions are in inches unless otherwise noted.



Order Today: 419-636-4217, Fax: 419-636-2450, e-mail: sales@alliedmoulded.com



AM-R Series JIC Size Junction Boxes: Twist Latch Hinged Cover

APPLICATION

- Designed to insulate and house electrical and electronic controls, instruments or components for indoor and outdoor applications
- Especially well suited for high temperature or corrosive environments
- Protects from dirt, dust, oil and water

STANDARDS

- UL Types 1, 2, 3, 4, 4X, 12, and 13
- CSA Types 1, 2, 3, 3R, 4, 4X, 12 and 13
- NEMA Types 1, 2, 3, 3R, 4, 4X, 12 and 13
- IEC 60529 Type IP66
- Compliant with RoHS directive (Restriction of Hazardous Substances)

CONSTRUCTION

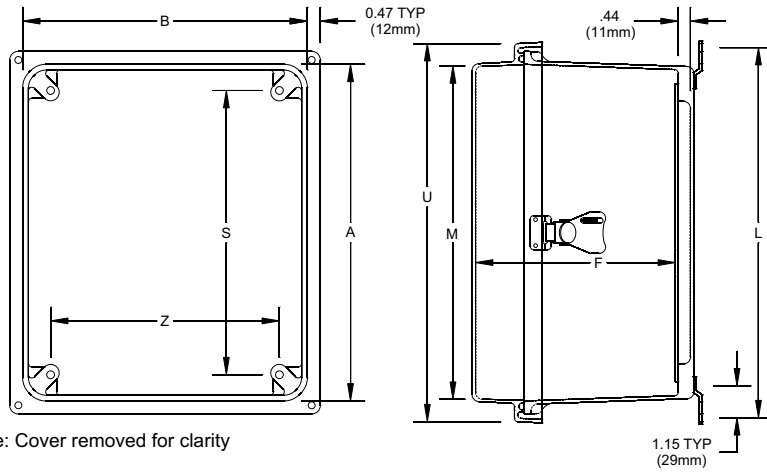
- Strong, molded Ultraguard® fiberglass reinforced polyester material construction with matching raised cover
- 300 series stainless steel twist latches feature padlock hasp
- Continuous 300 series stainless steel hinge
- Gasket made of closed-cell neoprene cord encased in a continuous channel
- 300 series stainless steel wall mounting feet with 10-32 stainless steel screws included
- 10-32 threaded inserts are installed for optional back panel
- JIC sizing
- Ultraguard® fiberglass material is easily punched, drilled or sawed
- UV stabilized for outdoor use

ACCESSORIES

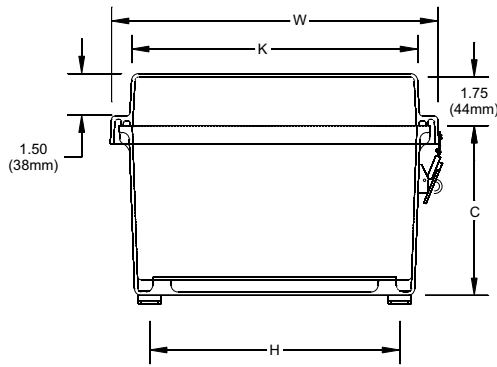
- Optional back panels (See table on pages 100-101.)
- Optional hinged front panel (See table on page 102.)
- Optional thermal management products (See pages 103-104.)

MODIFICATIONS

- Custom size holes and cutouts
- Custom size polycarbonate viewing windows
- Molded-in color matches
- Hinge installed on short side
- EMI/RFI shielding
- Factory-supplied silk screening



Note: Cover removed for clarity



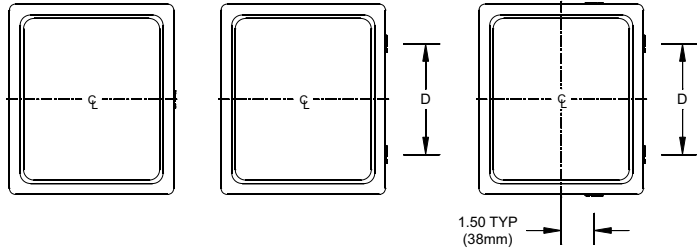
Nominal 1/8" (3mm) wall thickness

LATCH LOCATIONS

For use on
6x6x4
8x6x4
10x8x4
10x8x6

For use on
12x10x6 D=8.00 (203mm)
14x12x6 D=8.54 (217mm)
16x14x8 D=8.54 (217mm)

For use on
18x16x8 D=6.50 (165mm)
20x16x8 D=10.52 (267mm)

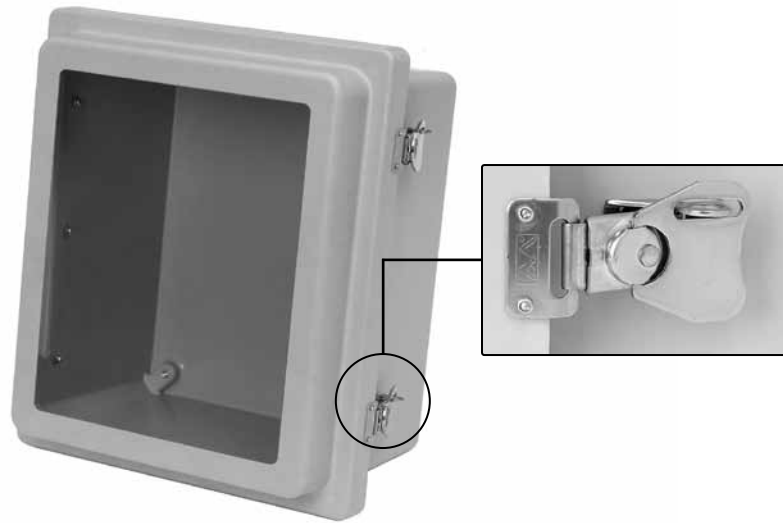


Part No.	Box Size			Usable Depth F	Panel Boss Centers		Panel Sizes		Foot Mount Centers		Cover Size			
	A	B	C		S	Z	Height	Width	H	L	K	M	U	W
AM664RT	6.10 155mm	6.10 155mm	4.18 106mm	5.26 134mm	4.25 108mm	4.25 108mm	4.81 122mm	4.81 122mm	5.01 127mm	7.32 186mm	6.08 154mm	6.08 154mm	7.69 195mm	7.69 195mm
AM864RT	8.00 203mm	6.13 156mm	4.13 105mm	5.21 132mm	6.25 159mm	4.25 108mm	6.75 171mm	4.88 124mm	5.01 127mm	9.19 233mm	6.11 155mm	7.98 203mm	9.59 244mm	7.71 196mm
AM1084RT	10.14 258mm	8.26 210mm	4.13 105mm	5.21 132mm	8.25 210mm	6.25 159mm	8.75 222mm	6.88 175mm	7.01 178mm	11.19 284mm	8.44 214mm	10.32 262mm	11.73 298mm	9.85 250mm
AM1086RT	10.14 258mm	8.26 210mm	6.13 156mm	7.21 183mm	8.25 210mm	6.25 159mm	8.75 222mm	6.88 175mm	7.01 178mm	11.19 284mm	8.44 214mm	10.32 262mm	11.73 298mm	9.85 250mm
AM1206RT	12.14 308mm	10.26 261mm	6.13 156mm	7.21 183mm	10.25 260mm	8.25 210mm	10.75 173mm	8.88 226mm	9.01 229mm	13.19 335mm	10.45 265mm	12.32 313mm	13.73 349mm	11.85 301mm
AM1426RT	14.13 359mm	12.26 311mm	6.13 156mm	7.21 183mm	12.25 311mm	10.25 260mm	12.75 324mm	10.88 276mm	11.01 280mm	15.19 386mm	12.45 316mm	14.32 364mm	15.73 400mm	13.85 352mm
AM1648RT	16.27 413mm	14.40 366mm	8.13 207mm	9.21 234mm	14.25 362mm	12.25 311mm	14.75 375mm	12.88 327mm	13.01 330mm	17.19 437mm	13.86 352mm	15.73 400mm	17.87 454mm	15.99 406mm
AM1868RT	18.40 467mm	16.40 417mm	8.13 207mm	9.21 234mm	16.25 413mm	14.25 362mm	16.88 429mm	14.88 378mm	14.97 380mm	19.28 490mm	15.86 403mm	17.86 454mm	20.00 508mm	18.00 457mm
AM2068RT	20.00 508mm	16.00 406mm	8.13 207mm	9.21 234mm	17.81 452mm	13.81 351mm	18.44 468mm	14.44 367mm	14.54 369mm	20.84 529mm	15.43 392mm	19.43 494mm	21.59 548mm	17.59 447mm

All dimensions are in inches unless otherwise noted.



Order Today: 419-636-4217, Fax: 419-636-2450, e-mail: sales@alliedmoulded.com



AM-R Series JIC Size Junction Boxes: Twist Latch Hinged Cover With Window

APPLICATION

- Designed to insulate and house electrical and electronic controls, instruments or components for indoor and outdoor applications
- Especially well suited for high temperature or corrosive environments
- Protects from dirt, dust, oil and water
- Window unit provides viewing area for instrumentation or equipment

STANDARDS

- UL Types 1, 2, 3, 4, 4X, 12, and 13
- CSA Types 1, 2, 3, 3R, 4, 4X, 12 and 13
- NEMA Types 1, 2, 3, 3R, 4, 4X, 12 and 13
- IEC 60529 Type IP66
- Compliant with RoHS directive (Restriction of Hazardous Substances)

CONSTRUCTION

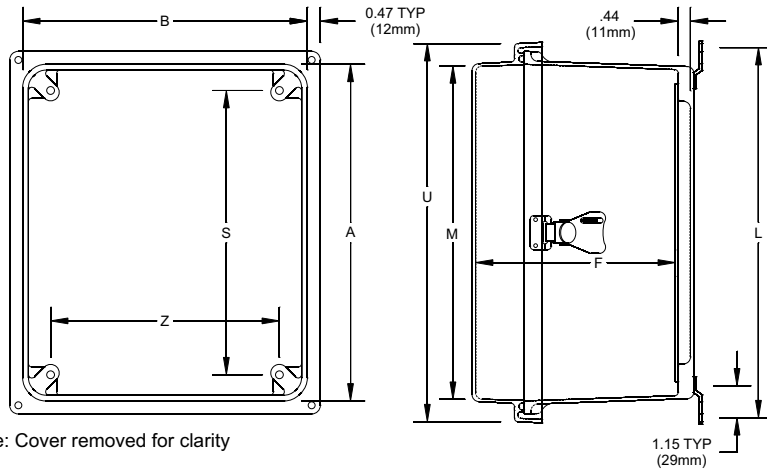
- Strong, molded Ultraguard® fiberglass reinforced polyester material construction with matching raised cover
- UV resistant polycarbonate viewing window
- 300 series stainless steel twist latches feature padlock hasp
- Continuous 300 series stainless steel hinge
- Gasket made of closed-cell neoprene cord encased in a continuous channel
- 300 series stainless steel wall mounting feet with 10-32 stainless steel screws included
- 10-32 threaded inserts are installed for optional back panel
- JIC sizing
- Ultraguard® fiberglass material is easily punched, drilled or sawed
- UV stabilized for outdoor use

ACCESSORIES

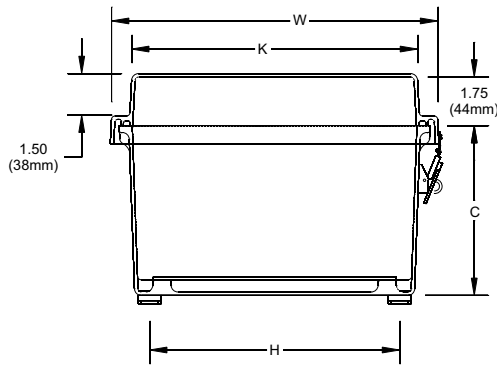
- Optional back panels (See table on pages 100-101.)
- Optional hinged front panel (See table on page 102.)
- Optional thermal management products (See pages 103-104.)

MODIFICATIONS

- Custom size holes and cutouts
- Molded-in color matches
- Hinge installed on short side
- EMI/RFI shielding
- Factory-supplied silk screening



Note: Cover removed for clarity



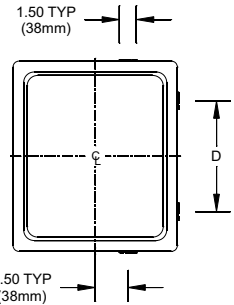
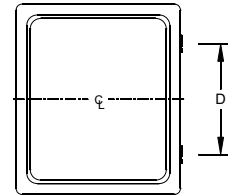
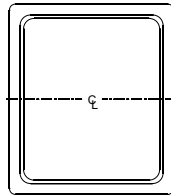
Nominal 1/8" (3mm) wall thickness

LATCH LOCATIONS

For use on
6x6x4
8x6x4
10x8x4
10x8x6

For use on
12x10x6 D=8.00 (203mm)
14x12x6 D=8.54 (217mm)
16x14x8 D=8.54 (217mm)

For use on
18x16x8 D=6.50 (165mm)
20x16x8 D=10.52 (267mm)

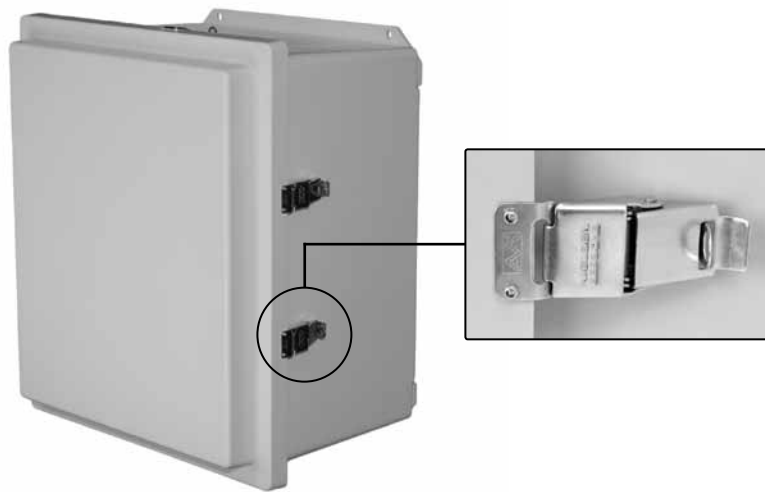


Part No.	Box Size			Usable Depth	Panel Boss Centers		Panel Sizes		Foot Mount Centers		Cover Size				Window Dimension (height X width)
	A	B	C		F	S	Z	Height	Width	H	L	K	M	U	
AM664RTW	6.10	6.10	4.18	5.26	4.25	4.25	4.81	4.81	5.01	7.32	6.08	6.08	7.69	7.69	4.25 X 4.25
	155mm	155mm	106mm	134mm	108mm	108mm	122mm	122mm	127mm	186mm	154mm	154mm	195mm	195mm	108mm X 108mm
AM864RTW	8.00	6.13	4.13	5.21	6.25	4.25	6.75	4.88	5.01	9.19	6.11	7.98	9.59	7.71	6.25 X 4.25
	203mm	156mm	105mm	132mm	159mm	108mm	171mm	124mm	127mm	233mm	155mm	203mm	244mm	196mm	159mm X 108mm
AM1084RTW	10.14	8.26	4.13	5.21	8.25	6.25	8.75	6.88	7.01	11.19	8.44	10.32	11.73	9.85	8.38 X 6.50
	258mm	210mm	105mm	132mm	210mm	159mm	222mm	175mm	178mm	284mm	214mm	262mm	298mm	250mm	213mm X 159mm
AM1086RTW	10.14	8.26	6.13	7.21	8.25	6.25	8.75	6.88	7.01	11.19	8.44	10.32	11.73	9.85	8.38 X 6.50
	258mm	210mm	156mm	183mm	210mm	159mm	222mm	175mm	178mm	284mm	214mm	262mm	298mm	250mm	213mm X 159mm
AM1206RTW	12.14	10.26	6.13	7.21	10.25	8.25	10.75	8.88	9.01	13.19	10.45	12.32	13.73	11.85	10.38 X 8.50
	308mm	261mm	156mm	183mm	260mm	210mm	273mm	226mm	229mm	335mm	265mm	313mm	349mm	301mm	264mm X 216mm
AM1426RTW	14.13	12.26	6.13	7.21	12.25	10.25	12.75	10.88	11.01	15.19	12.45	14.32	15.73	13.85	12.38 X 10.50
	359mm	311mm	156mm	183mm	311mm	260mm	324mm	276mm	280mm	386mm	316mm	364mm	400mm	352mm	314mm X 267mm
AM1648RTW	16.27	14.40	8.13	9.21	14.25	12.25	14.75	12.88	13.01	17.19	13.86	15.73	17.87	15.99	13.00 X 11.00
	413mm	366mm	207mm	234mm	362mm	311mm	375mm	327mm	330mm	437mm	352mm	400mm	454mm	406mm	330mm X 279mm
AM1868RTW	18.40	16.40	8.13	9.21	16.25	14.25	16.88	14.88	14.97	19.28	15.86	17.86	20.00	18.00	14.00 X 12.00
	467mm	417mm	207mm	234mm	413mm	362mm	429mm	378mm	380mm	490mm	403mm	454mm	508mm	457mm	356mm X 305mm
AM2068RTW	20.00	16.00	8.13	9.21	17.81	13.81	18.44	14.44	14.54	20.84	15.43	19.43	21.59	17.59	15.00 X 11.00
	508mm	406mm	207mm	234mm	452mm	351mm	468mm	367mm	369mm	529mm	392mm	494mm	548mm	447mm	381mm X 279mm

All dimensions are in inches unless otherwise noted.



Order Today: 419-636-4217, Fax: 419-636-2450, e-mail: sales@alliedmoulded.com



AMHD-R Heavy Duty Solar Battery Box: Snap Latch Hinged Cover

APPLICATION

- Designed to insulate and house solar storage batteries for various telemetry applications in outdoor locations
- Especially well suited for high temperature or corrosive environments
- Protects from UV, dirt, dust, oil and water

STANDARDS

- UL Types 1, 2, 3, 4, 4X, 12, and 13
- CSA Types 1, 2, 3, 3R, 4, 4X, 12 and 13
- NEMA Types 1, 2, 3, 3R, 4, 4X, 12 and 13
- IEC 60529 Type IP66
- Compliant with RoHS directive (Restriction of Hazardous Substances)

CONSTRUCTION

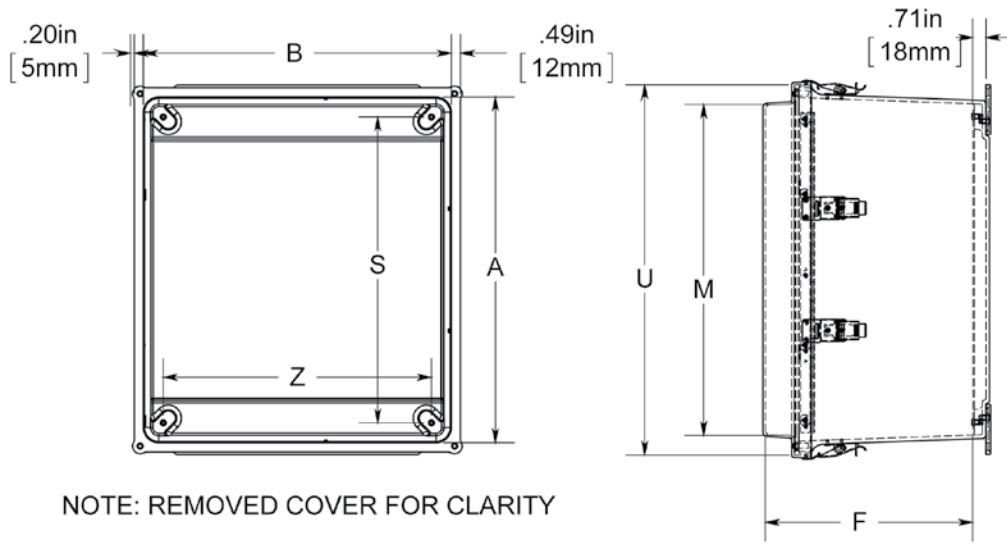
- Strong, molded Ultraguard® fiberglass reinforced polyester material construction with matching raised cover
- 300 series stainless steel snap latches feature padlock hasp
- Continuous 300 series stainless steel hinge
- Gasket made of closed-cell neoprene cord encased in a continuous channel
- Polycarbonate flanges installed with (4) 300 series stainless steel screws
- 10-32 threaded inserts are installed for optional back panel
- Ultraguard® fiberglass material is easily punched, drilled or sawed
- UV stabilized for outdoor use

ACCESSORIES

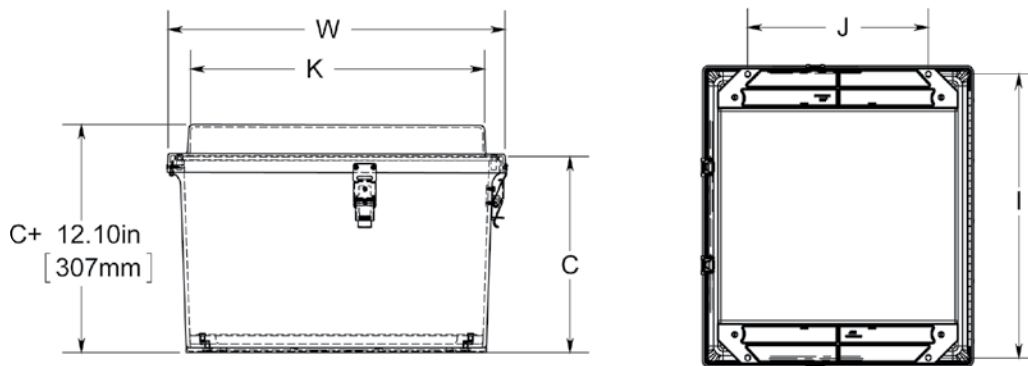
- Optional back panels (See table on pages 100-101.)
- Optional thermal management products (See pages 103-104.)
- Optional pole mount kit (See page 105.)

MODIFICATIONS

- Custom size holes and cutouts
- Custom size polycarbonate viewing windows
- Molded-in color matches
- Hinge installed on short side
- EMI/RFI shielding
- Factory-supplied silk screening

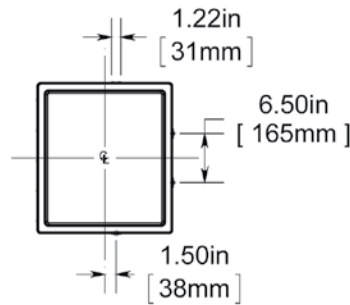


NOTE: REMOVED COVER FOR CLARITY



Nominal .200" (5mm) wall thickness

LATCH LOCATIONS



Part No.	Box Size			Usable Depth F	Panel Boss Centers		Panel Sizes		Flange Mount Centers		Cover Size			
	A	B	C		S	Z	Height	Width	J	I	K	M	U	W
AMHD1860RLF	18.24 463mm	16.24 412mm	10.13 257mm	11.01 280mm	16.25 413mm	14.25 362mm	16.88 429mm	14.88 378mm	12.00 305mm	18.88, 18.76 480mm, 477mm	15.22 387mm	17.72 450mm	19.91 506mm	17.91 455mm

All dimensions are in inches unless otherwise noted.

AMHD-R SERIES



CONTROL SERIES

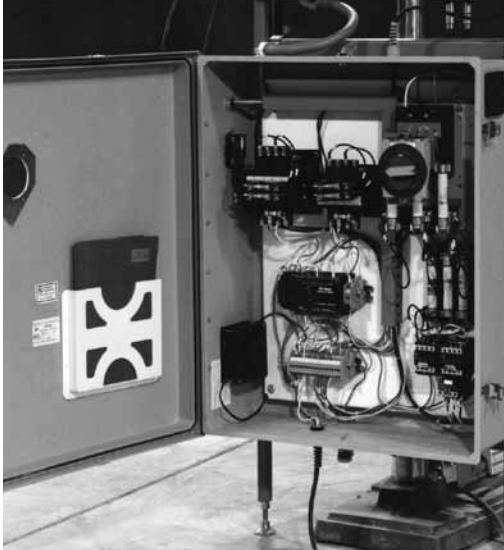
The larger Control Series offers standard features as well as full-panel access and all usable panel space. In addition, the standard grey cover is available with or without a full-length polycarbonate viewing window. Other options include removable aluminum hinged front panel and back panels.

Control Series enclosures insulate and protect controls and components against the toughest elements in the harshest environments. Available in popular larger sizes and depths and with standard stainless steel hinges and latches.

Control Series Features & Benefits

- Molded Ultraguard® fiberglass reinforced polyester material construction for durability
- One-piece body construction provides added dimensional stability
- Standards sizes from 24" x 20" x 9-3/4" to 30" x 24" x 11-3/4"
- Closed-cell neoprene gasket encased in a continuous channel
- Raised cover for additional depth
- 300 series stainless steel hardware and mounting feet
- Mounting panel inserts for optional back panel
- Optional Hinged Front Panel
- UV stabilized for outdoor use





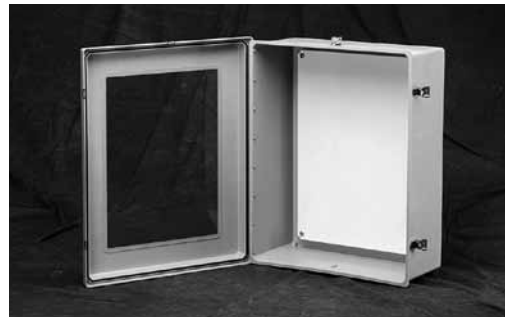
Suitable Applications

- Electrical junctions
- Terminal wiring
- Electrical and electronic controls, instruments, components
- Housing pushbuttons, switches or other devices
- Other industrial control equipment



Control Series Specifications

- Non-corrosive
- Non-conductive
- Temperature-resistant
- Fire-resistant
- Rated NEMA 1, 2, 3, 3R 4, 4X, 12, 13
- UL listed
- CSA certified
- Compliant with RoHS directive



Accessories

- Back panels available in painted carbon steel, aluminum, fiberglass, or galvanized steel
- Aluminum hinged front panel for configuration flexibility
- UV resistant polycarbonate viewing windows
- Thermal management products

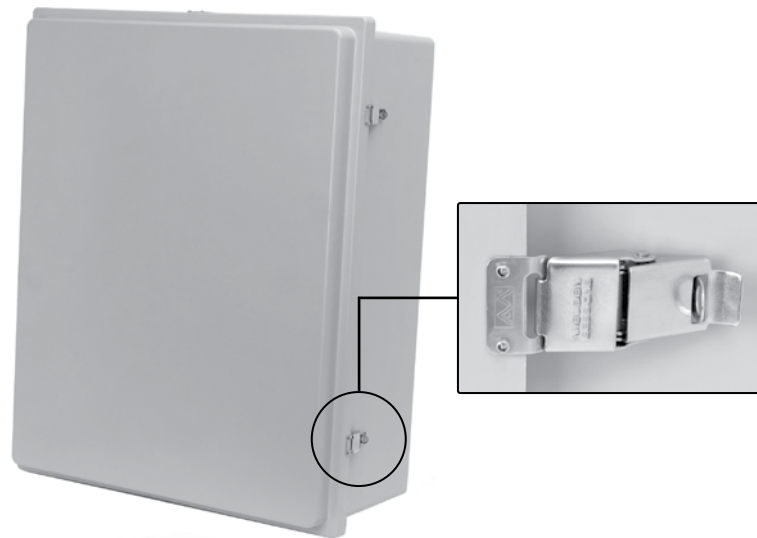
Modifications

We are pleased to modify any of our standard products to fit your needs. We have the lowest volume requirements on custom work in the industry, and quick turnaround time.

We can modify any of our Control Series enclosures with:

- Custom size holes and cutouts
- Custom size polycarbonate viewing windows
- Molded-in color matches
- EMI/RFI shielding
- Factory-supplied silk screening

For complete details on factory modifications including a modification request form, see pages 107-109.



Control Series: Snap Latch Hinged Cover

APPLICATION

- Designed to insulate and house electrical and electronic controls, instruments or components for indoor and outdoor applications
- Especially well suited for high temperature or corrosive environments
- Protects from dirt, dust, oil and water

STANDARDS

- UL Types 1, 2, 3, 4, 4X, 12, and 13
- CSA Types 1, 2, 3, 3R, 4, 4X, 12 and 13
- NEMA Types 1, 2, 3, 3R, 4, 4X, 12 and 13
- IEC 60529 Type IP66
- Compliant with RoHS directive (Restriction of Hazardous Substances)

CONSTRUCTION

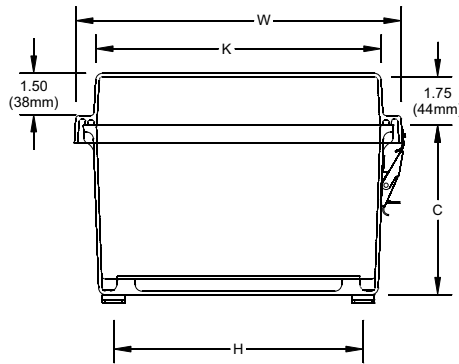
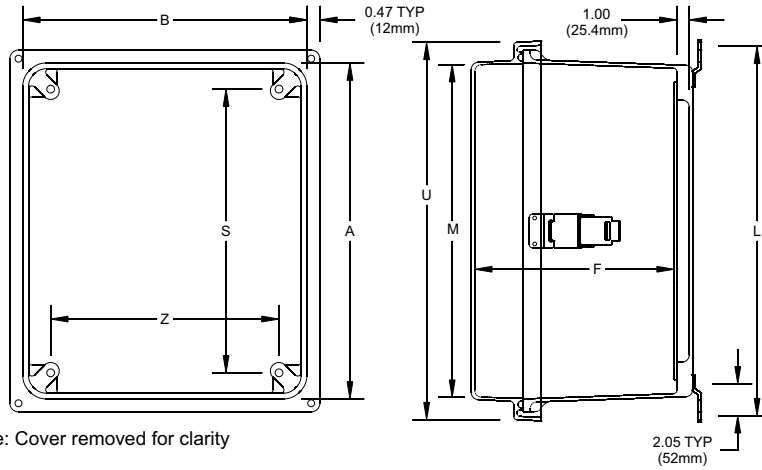
- Strong, molded Ultraguard® fiberglass reinforced polyester material construction with matching raised cover
- Full panel access
- All usable panel space
- 300 series stainless steel snap latches feature padlock hasp
- Two 300 series stainless steel hinges
- Closed-cell neoprene gasket encased in a continuous channel
- 300 series stainless steel wall mounting feet with 3/8-16 stainless steel screws included
- 3/8-16 threaded inserts are installed for optional back panel
- Ultraguard® fiberglass material is easily punched, drilled or sawed
- UV stabilized for outdoor use

ACCESSORIES

- Optional back panels (See table on pages 100-101.)
- Optional hinged front panel (See table on page 102.)
- Optional thermal management products (See pages 103-104.)

MODIFICATIONS

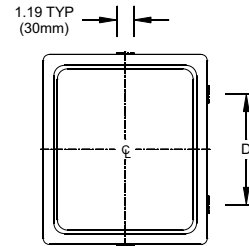
- Custom size holes and cutouts
- Custom size polycarbonate viewing windows
- Molded-in color matches
- EMI/RFI shielding
- Factory-supplied silk screening



Nominal 1/8" (3mm) wall thickness

LATCH LOCATIONS

- For use on:
- 24x20x8 D=16.00 (406mm)
 - 24x20x10 D=16.00 (406mm)
 - 24x24x8 D=16.00 (406mm)
 - 24x24x10 D=16.00 (406mm)
 - 30x24x8 D=19.98 (507mm)
 - 30x24x10 D=19.98 (507mm)



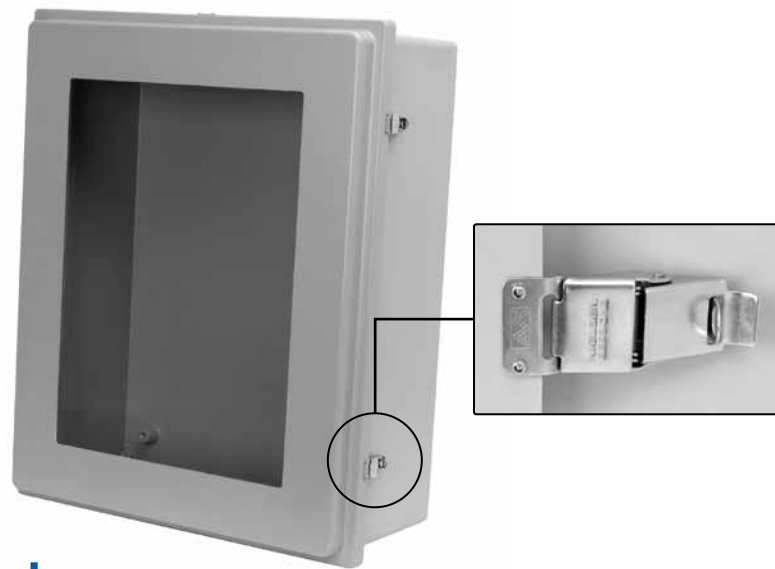
Part No.	Box Size			Usable Depth F	Panel Boss Centers		Panel Sizes		Foot Mount Centers		Cover Size			
	A	B	C		S	Z	Height	Width	H	L	K	M	U	W
AM24208RL	24.00 610mm	20.00 508mm	8.13 207mm	8.56 217mm	19.25 489mm	15.25 387mm	21.00 533mm	17.00 432mm	18.75 476mm	26.85 682mm	20.16 512mm	24.16 614mm	25.59 650mm	21.59 548mm
AM24248RL	24.00 610mm	24.00 610mm	8.13 207mm	8.56 217mm	19.25 489mm	19.25 489mm	21.00 533mm	21.00 533mm	22.75 578mm	26.85 682mm	24.16 614mm	24.16 614mm	25.59 650mm	25.59 650mm
AM30248RL	30.00 762mm	24.00 610mm	8.13 207mm	8.56 217mm	25.25 641mm	19.25 489mm	27.00 686mm	21.00 533mm	22.75 578mm	32.85 834mm	24.16 614mm	30.16 766mm	31.59 802mm	25.59 650mm
AM24200RL	24.00 610mm	20.00 508mm	10.13 257mm	10.56 268mm	19.25 489mm	15.25 387mm	21.00 533mm	17.00 432mm	18.75 476mm	26.85 682mm	20.16 512mm	24.16 614mm	25.59 650mm	21.59 548mm
AM24240RL	24.00 610mm	24.00 610mm	10.13 257mm	10.56 268mm	19.25 489mm	19.25 489mm	21.00 533mm	21.00 533mm	22.75 578mm	26.85 682mm	24.16 614mm	24.16 614mm	25.59 650mm	25.59 650mm
AM30240RL	30.00 762mm	24.00 610mm	10.13 257mm	10.56 268mm	25.25 641mm	19.25 489mm	27.00 686mm	21.00 533mm	22.75 578mm	32.85 834mm	24.16 614mm	30.16 766mm	31.59 802mm	25.59 650mm

All dimensions are in inches unless otherwise noted.



Order Today: 419-636-4217, Fax: 419-636-2450, e-mail: sales@alliedmoulded.com

CONTROL SERIES



Control Series: Snap Latch Hinged Cover With Window

APPLICATION

- Designed to insulate and house electrical and electronic controls, instruments or components for indoor and outdoor applications
- Especially well suited for high temperature or corrosive environments
- Protects from dirt, dust, oil and water
- Window unit provides viewing area for instrumentation or equipment

STANDARDS

- UL Types 1, 2, 3, 4, 4X, 12, and 13
- CSA Types 1, 2, 3, 3R, 4, 4X, 12 and 13
- NEMA Types 1, 2, 3, 3R, 4, 4X, 12 and 13
- IEC 60529 Type IP66
- Compliant with RoHS directive (Restriction of Hazardous Substances)

CONSTRUCTION

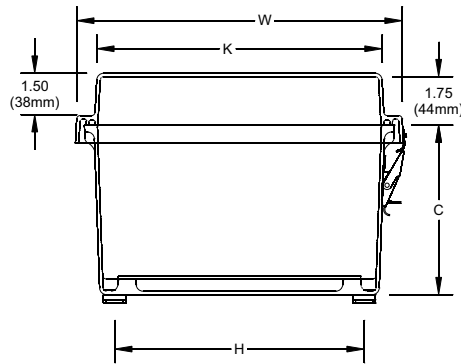
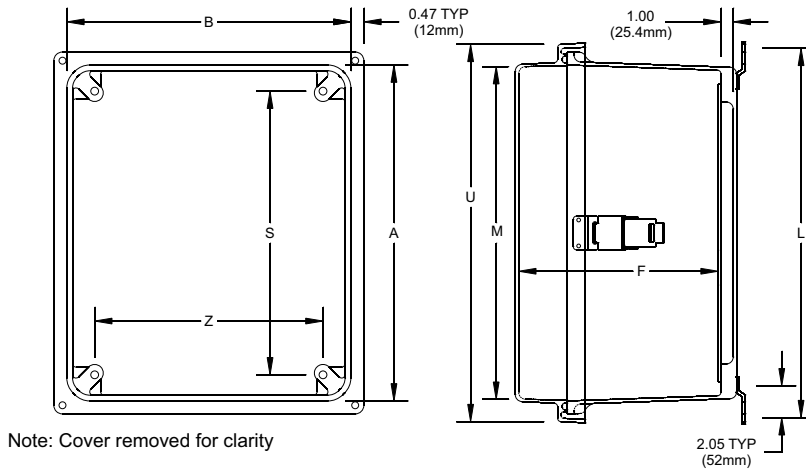
- Strong, molded Ultraguard® fiberglass reinforced polyester material construction with matching raised cover
- Full panel access
- All usable panel space
- UV resistant polycarbonate viewing window
- 300 series stainless steel snap latches feature padlock hasp
- Two 300 series stainless steel hinges
- Closed-cell neoprene gasket encased in a continuous channel
- 300 series stainless steel wall mounting feet with 3/8-16 stainless steel screws included
- 3/8-16 threaded inserts are installed for optional back panel
- Ultraguard® fiberglass material is easily punched, drilled or sawed
- UV stabilized for outdoor use

ACCESSORIES

- Optional back panels (See table on pages 100-101.)
- Optional hinged front panel (See table on page 102.)
- Optional thermal management products (See pages 103-104.)

MODIFICATIONS

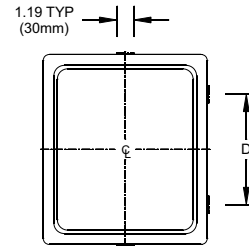
- Custom size holes and cutouts
- Molded-in color matches
- EMI/RFI shielding
- Factory-supplied silk screening



Nominal 1/8" (3mm) wall thickness

LATCH LOCATIONS

- For use on:
- 24x20x8 D=16.00 (406mm)
 - 24x20x10 D=16.00 (406mm)
 - 24x24x8 D=16.00 (406mm)
 - 24x24x10 D=16.00 (406mm)
 - 30x24x8 D=19.98 (507mm)
 - 30x24x10 D=19.98 (507mm)



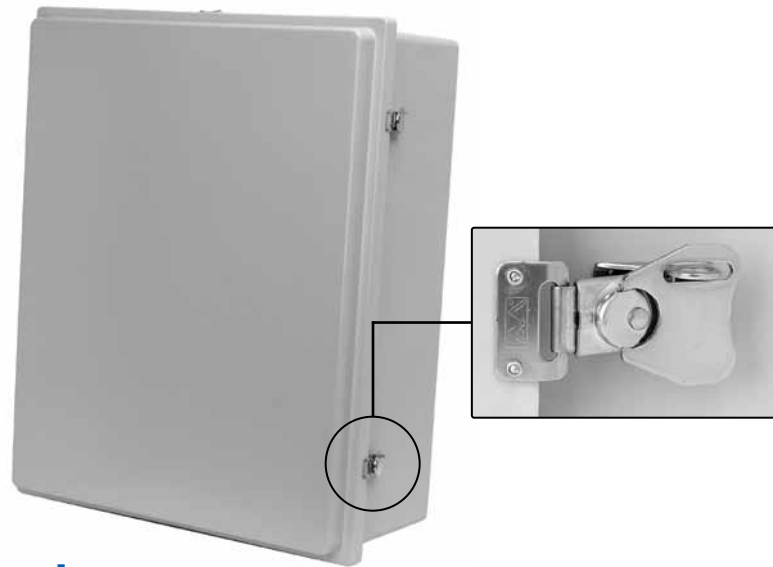
Part No.	Box Size			Usable Depth	Panel Boss Centers		Panel Sizes		Foot Mount Centers		Cover Size				Window Dimension (height x width)
	A	B	C		F	S	Z	Height	Width	H	L	K	M	U	
AM24208RLW	24.00 610mm	20.00 508mm	8.13 207mm	8.56 217mm	19.25 489mm	15.25 387mm	21.00 533mm	17.00 432mm	18.75 476mm	26.85 682mm	20.16 512mm	24.16 614mm	25.59 650mm	21.59 548mm	16.00 X 12.00 406mm X 305mm
AM24248RLW	24.00 610mm	24.00 610mm	8.13 207mm	8.56 217mm	19.25 489mm	19.25 489mm	21.00 533mm	21.00 533mm	22.75 578mm	26.85 682mm	24.16 614mm	24.16 614mm	25.59 650mm	25.59 650mm	16.00 X 16.00 406mm X 406mm
AM30248RLW	30.00 762mm	24.00 610mm	8.13 207mm	8.56 217mm	25.25 641mm	19.25 489mm	27.00 686mm	21.00 533mm	22.75 578mm	32.85 834mm	24.16 614mm	30.16 766mm	31.59 802mm	25.59 650mm	23.00 X 17.00 584mm X 432mm
AM24200RLW	24.00 610mm	20.00 508mm	10.13 257mm	10.56 268mm	19.25 489mm	15.25 387mm	21.00 533mm	17.00 432mm	18.75 476mm	26.85 682mm	20.16 512mm	24.16 614mm	25.59 650mm	21.59 548mm	16.00 X 12.00 406mm X 305mm
AM24240RLW	24.00 610mm	24.00 610mm	10.13 257mm	10.56 268mm	19.25 489mm	19.25 489mm	21.00 533mm	21.00 533mm	22.75 578mm	26.85 682mm	24.16 614mm	24.16 614mm	25.59 650mm	25.59 650mm	16.00 X 16.00 406mm X 406mm
AM30240RLW	30.00 762mm	24.00 610mm	10.13 257mm	10.56 268mm	25.25 641mm	19.25 489mm	27.00 686mm	21.00 533mm	22.75 578mm	32.85 834mm	24.16 614mm	30.16 766mm	31.59 802mm	25.59 650mm	23.00 X 17.00 584mm X 432mm

All dimensions are in inches unless otherwise noted.



Order Today: 419-636-4217, Fax: 419-636-2450, e-mail: sales@alliedmoulded.com

CONTROL SERIES



Control Series: Twist Latch Hinged Cover

APPLICATION

- Designed to insulate and house electrical and electronic controls, instruments or components for indoor and outdoor applications
- Especially well suited for high temperature or corrosive environments
- Protects from dirt, dust, oil and water

STANDARDS

- UL Types 1, 2, 3, 4, 4X, 12, and 13
- CSA Types 1, 2, 3, 3R, 4, 4X, 12 and 13
- NEMA Types 1, 2, 3, 3R, 4, 4X, 12 and 13
- IEC 60529 Type IP66
- Compliant with RoHS directive (Restriction of Hazardous Substances)

CONSTRUCTION

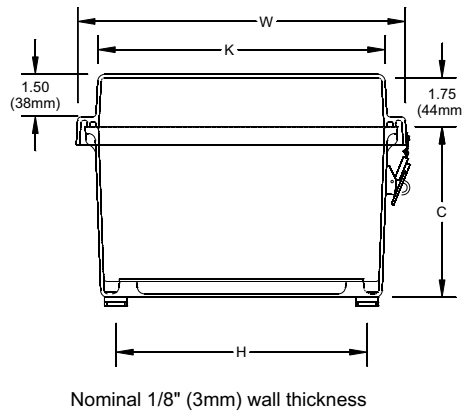
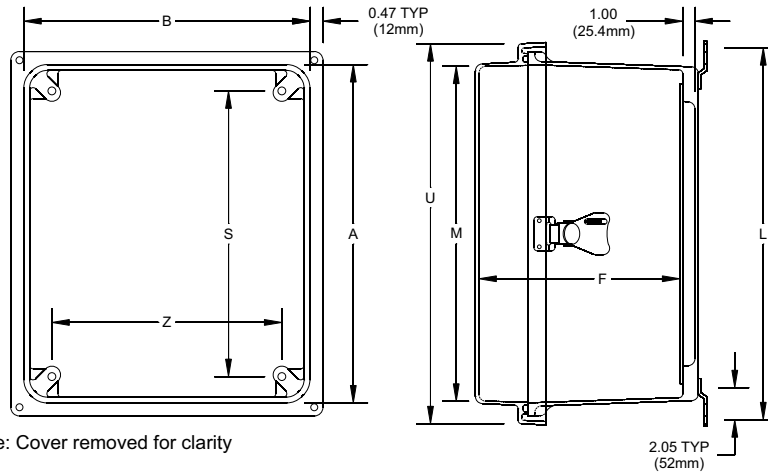
- Strong, molded Ultraguard® fiberglass reinforced polyester material construction with matching raised cover
- Full panel access
- All usable panel space
- 300 series stainless steel twist latches feature padlock hasp
- Two 300 series stainless steel hinges
- Closed-cell neoprene gasket encased in a continuous channel
- 300 series stainless steel wall mounting feet with 3/8-16 stainless steel screws included
- 3/8-16 threaded inserts are installed for optional back panel
- Ultraguard® fiberglass material is easily punched, drilled or sawed
- UV stabilized for outdoor use

ACCESSORIES

- Optional back panels (See table on pages 100-101.)
- Optional hinged front panel (See table on page 102.)
- Optional thermal management products (See pages 103-104.)

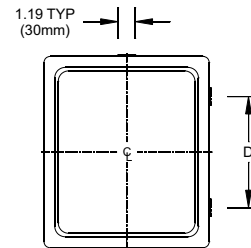
MODIFICATIONS

- Custom size holes and cutouts
- Custom size polycarbonate viewing windows
- Molded-in color matches
- EMI/RFI shielding
- Factory-supplied silk screening



LATCH LOCATIONS

- For use on:
- 24x20x8 D=16.00 (406mm)
 - 24x24x8 D=16.00 (406mm)
 - 30x24x8 D=19.98 (507mm)
 - 24x20x10 D=16.00 (406mm)
 - 24x24x10 D=16.00 (406mm)
 - 30x24x10 D=19.98 (507mm)



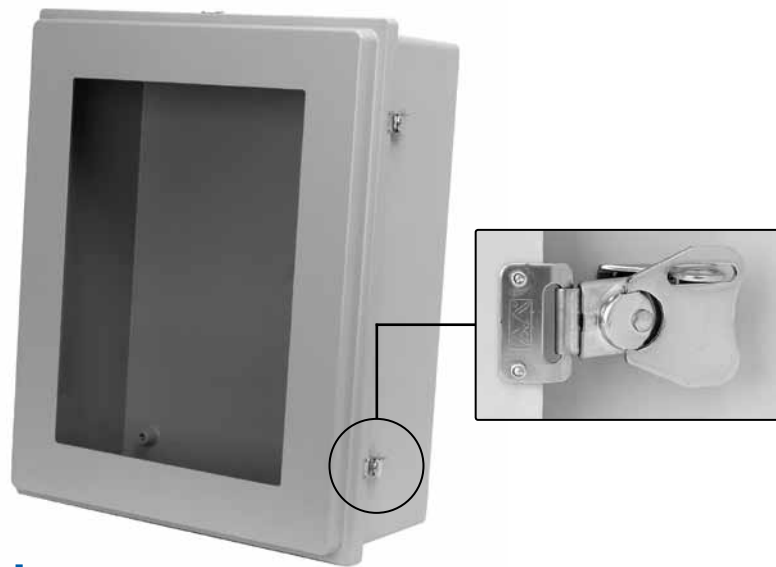
Part No.	Box Size			Usable Depth F	Panel Boss Centers		Panel Sizes		Foot Mount Centers		Cover Size			
	A	B	C		S	Z	Height	Width	H	L	K	M	U	W
AM24208RT	24.00 610mm	20.00 508mm	8.13 207mm	8.56 217mm	19.25 489mm	15.25 387mm	21.00 533mm	17.00 432mm	18.75 476mm	26.85 682mm	20.16 512mm	24.16 614mm	25.59 650mm	21.59 548mm
AM24248RT	24.00 610mm	24.00 610mm	8.13 207mm	8.56 217mm	19.25 489mm	19.25 489mm	21.00 533mm	21.00 533mm	22.75 578mm	26.85 682mm	24.16 614mm	24.16 614mm	25.59 650mm	25.59 650mm
AM30248RT	30.00 762mm	24.00 610mm	8.13 207mm	8.56 217mm	25.25 641mm	19.25 489mm	27.00 686mm	21.00 533mm	22.75 578mm	32.85 834mm	24.16 614mm	30.16 766mm	31.59 802mm	25.59 650mm
AM24200RT	24.00 610mm	20.00 508mm	10.13 257mm	10.56 268mm	19.25 489mm	15.25 387mm	21.00 533mm	17.00 432mm	18.75 476mm	26.85 682mm	20.16 512mm	24.16 614mm	25.59 650mm	21.59 548mm
AM24240RT	24.00 610mm	24.00 610mm	10.13 257mm	10.56 268mm	19.25 489mm	19.25 489mm	21.00 533mm	21.00 533mm	22.75 578mm	26.85 682mm	24.16 614mm	24.16 614mm	25.59 650mm	25.59 650mm
AM30240RT	30.00 762mm	24.00 610mm	10.13 257mm	10.56 268mm	25.25 641mm	19.25 489mm	27.00 686mm	21.00 533mm	22.75 578mm	32.85 834mm	24.16 614mm	30.16 766mm	31.59 802mm	25.59 650mm

All dimensions are in inches unless otherwise noted.



Order Today: 419-636-4217, Fax: 419-636-2450, e-mail: sales@alliedmoulded.com

CONTROL SERIES



Control Series: Twist Latch Hinged Cover With Window

APPLICATION

- Designed to insulate and house electrical and electronic controls, instruments or components for indoor and outdoor applications
- Especially well suited for high temperature or corrosive environments
- Protects from dirt, dust, oil and water
- Window unit provides viewing area for instrumentation or equipment

STANDARDS

- UL Types 1, 2, 3, 4, 4X, 12, and 13
- CSA Types 1, 2, 3, 3R, 4, 4X, 12 and 13
- NEMA Types 1, 2, 3, 3R, 4, 4X, 12 and 13
- IEC 60529 Type IP66
- Compliant with RoHS directive (Restriction of Hazardous Substances)

CONSTRUCTION

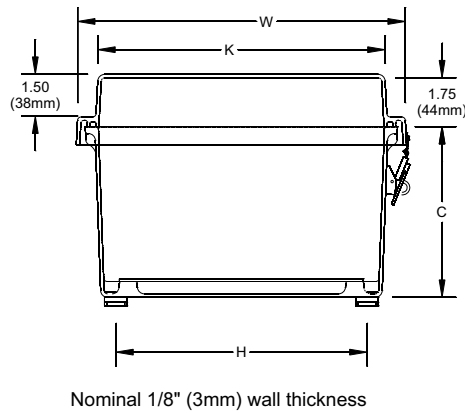
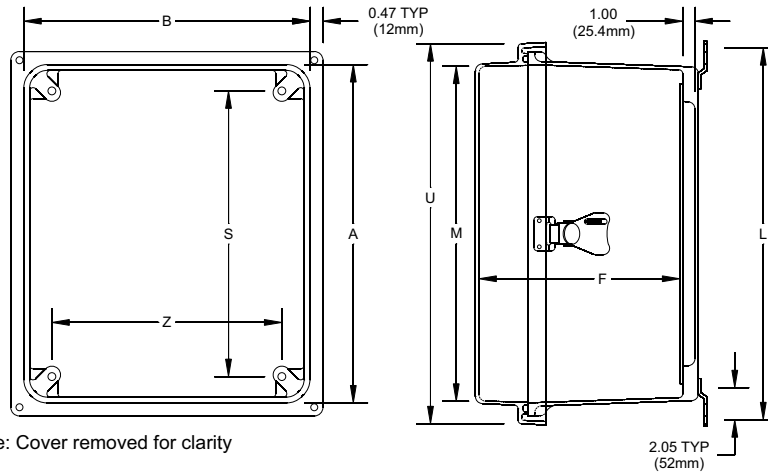
- Strong, molded Ultraguard® fiberglass reinforced polyester material construction with matching raised cover
- Full panel access
- All usable panel space
- UV resistant polycarbonate viewing window
- 300 series stainless steel twist latches feature padlock hasp
- Two 300 series stainless steel hinges
- Closed-cell neoprene gasket encased in a continuous channel
- 300 series stainless steel wall mounting feet with 3/8-16 stainless steel screws included
- 3/8-16 threaded inserts are installed for optional back panel
- Ultraguard® fiberglass material is easily punched, drilled or sawed
- UV stabilized for outdoor use

ACCESSORIES

- Optional back panels (See table on pages 100-101.)
- Optional hinged front panel (See table on page 102)
- Optional thermal management products (See pages 103-104.)

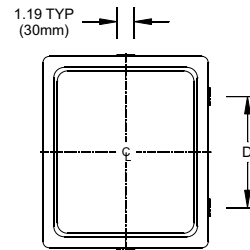
MODIFICATIONS

- Custom size holes and cutouts
- Molded-in color matches
- EMI/RFI shielding
- Factory-supplied silk screening



LATCH LOCATIONS

- For use on:
- 24x20x8 D=16.00 (406mm)
 - 24x24x8 D=16.00 (406mm)
 - 30x24x8 D=19.98 (507mm)
 - 24x20x10 D=16.00 (406mm)
 - 24x24x10 D=16.00 (406mm)
 - 30x24x10 D=19.98 (507mm)



CONTROL SERIES

Part No.	Box Size			Usable Depth	Panel Boss Centers		Panel Sizes		Foot Mount Centers		Cover Size				Window Dimension (height x width)
	A	B	C		F	S	Z	Height	Width	H	L	K	M	U	
AM24208RTW	24.00 610mm	20.00 508mm	8.13 207mm	8.56 217mm	19.25 489mm	15.25 387mm	21.00 533mm	17.00 432mm	18.75 476mm	26.85 682mm	20.16 512mm	24.16 614mm	25.59 650mm	21.59 548mm	16.00 X 12.00 406mm X 305mm
AM24248RTW	24.00 610mm	24.00 610mm	8.13 207mm	8.56 217mm	19.25 489mm	19.25 489mm	21.00 533mm	21.00 533mm	22.75 578mm	26.85 682mm	24.16 614mm	24.16 614mm	25.59 650mm	25.59 650mm	16.00 X 16.00 406mm X 406mm
AM30248RTW	30.00 762mm	24.00 610mm	8.13 207mm	8.56 217mm	25.25 641mm	19.25 489mm	27.00 686mm	21.00 533mm	22.75 578mm	32.85 834mm	24.16 614mm	30.16 766mm	31.59 802mm	25.59 650mm	23.00 X 17.00 584mm X 432mm
AM24200RTW	24.00 610mm	20.00 508mm	10.13 257mm	10.56 268mm	19.25 489mm	15.25 387mm	21.00 533mm	17.00 432mm	18.75 476mm	26.85 682mm	20.16 512mm	24.16 614mm	25.59 650mm	21.59 548mm	16.00 X 12.00 406mm X 305mm
AM24240RTW	24.00 610mm	24.00 610mm	10.13 257mm	10.56 268mm	19.25 489mm	19.25 489mm	21.00 533mm	21.00 533mm	22.75 578mm	26.85 682mm	24.16 614mm	24.16 614mm	25.59 650mm	25.59 650mm	16.00 X 16.00 406mm X 406mm
AM30240RTW	30.00 762mm	24.00 610mm	10.13 257mm	10.56 268mm	25.25 641mm	19.25 489mm	27.00 686mm	21.00 533mm	22.75 578mm	32.85 834mm	24.16 614mm	30.16 766mm	31.59 802mm	25.59 650mm	23.00 X 17.00 584mm X 432mm

All dimensions are in inches unless otherwise noted.



Order Today: 419-636-4217, Fax: 419-636-2450, e-mail: sales@alliedmoulded.com



EMPIRE SERIES



For your largest applications, turn to the Empire Series from Allied Moulded. Fiberglass construction offers durability and strength without the excessive weight of a comparable metal enclosure. Available in ten standard sizes, including eight wall mount cabinets from 36" x 30" x 12" to 60" x 36" x 16" and two freestanding sizes up to 72" x 49" x 25". A full range of modification services are also available on our Empire Series enclosures.

Empire Series Features & Benefits

- Ultraguard® fiberglass reinforced polyester material construction for durability
- Continuous stainless steel hinge
- Flexible, self-gripping gasket compresses over flange for tight seal
- Wall mount units need only three closure latches to meet NEMA Type 4X requirements, also have optional 3-point latching handles
- Freestanding units have 3-point latching handles which meet NEMA Type 4 requirements
- Optional white painted carbon steel back panels are fully interchangeable with other specified enclosures

Suitable Applications

- Electrical junctions
- Terminal wiring
- Electrical and electronic controls, instruments, components
- Housing pushbuttons, switches or other devices
- Other industrial control equipment



Empire Series Specifications

- Non-corrosive
- Non-conductive
- Lightweight vs. stainless steel
- Temperature-resistant
- Fire-resistant
- Rated NEMA 4, 4X,
- cUL listed



Accessories

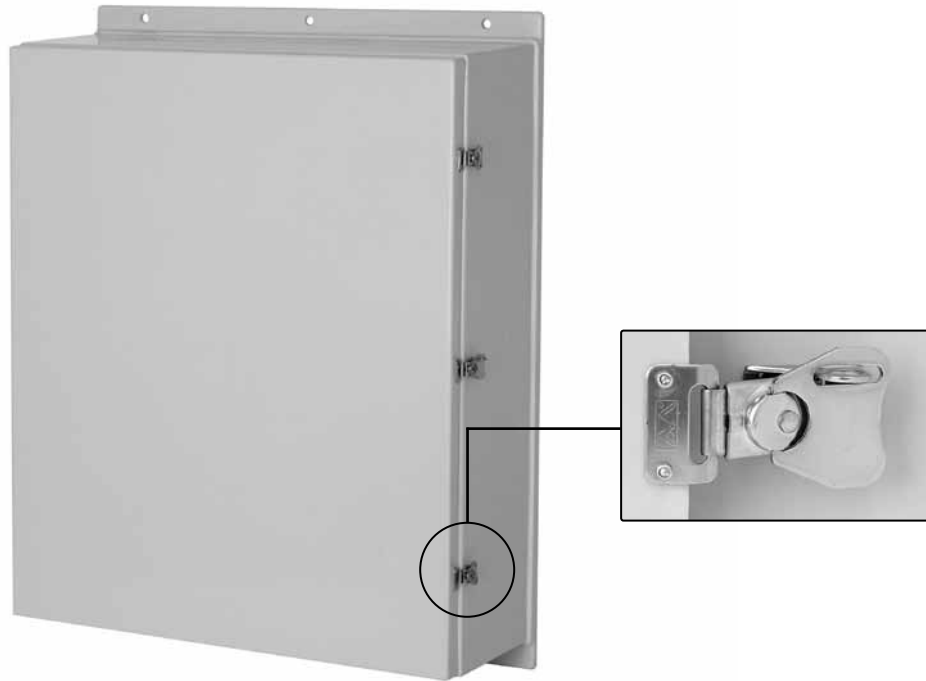
- Optional white painted carbon steel back panels
- Optional thermal management products
- Optional print pocket

Modifications

We are pleased to modify any of our standard products to fit your needs. We have the lowest volume requirements on custom work in the industry, and quick turnaround time.

We can modify any of our Empire Series enclosures with:

- Custom holes and cutouts
- Viewing windows
- Molded-in color matches
- EMI/RFI shielding
- Factory-supplied silk screening
- Mounting strut



Empire Series: Wall Mount Twist Latch Hinged Cover



APPLICATION

- Designed to insulate and house electrical and electronic controls, instruments or components for indoor and outdoor applications
- Especially well suited for high temperature or corrosive environments
- Protects from dirt, dust, oil and water

STANDARDS

- UL Types 1, 4, and 4X
- CSA Types 1, 4, and 4X
- NEMA Types 1, 4, and 4X
- IEC 60529 Type IP66

CONSTRUCTION

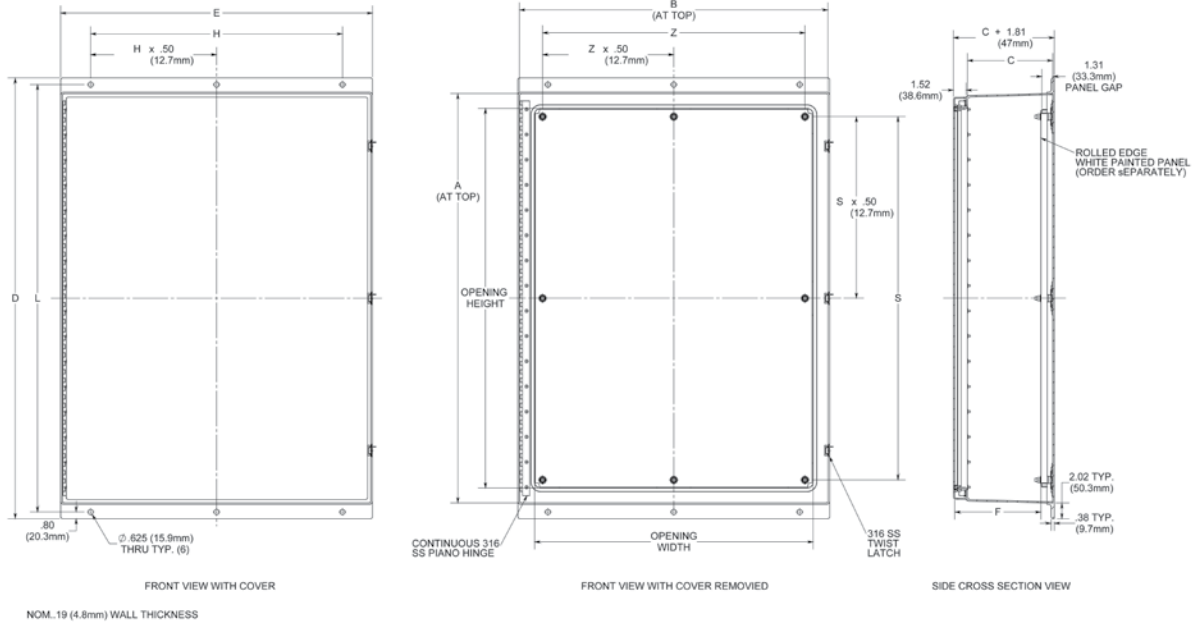
- Durable, corrosion resistant Ultraguard® fiberglass material construction
- Flexible, self-gripping gasket compresses over flange for tight seal and needs only three closure twist latches to meet NEMA 4X requirements (AM6036 requires 4 latches)
- Heavy-duty continuous 300 series stainless steel hinge
- Ultraguard® fiberglass material has UV inhibitors which provide ideal protection from outdoor weathering

ACCESSORIES

- Optional painted carbon steel back panels (See page 101.)
- Optional thermal management products (See pages 103-104.)
- Optional print pocket (See page 103.)

MODIFICATIONS

See page 107-109.



Part No.	Box Dim. at Top			Overall Box Dim.		Usable Depth F	Flange Mount		Opening		Panel Studs			Panel Size	
	A	B	C	D	E		H	L	Height	Width	# of Studs	S	Z	Height	Width
AM363012L	36.25	30.25	10.14	40.50	31.15	10.27	24.00	38.90	33.50	27.50	6	31.25	25.25	33.00	27.00
	921mm	768mm	258mm	1,029mm	791mm	261mm	610mm	988mm	851mm	699mm		794mm	641mm	838mm	686mm
AM363016L	36.04	30.04	14.16	40.50	31.15	14.27	24.00	38.90	33.50	27.50	6	31.25	25.25	33.00	27.00
	915mm	763mm	359mm	1,029mm	791mm	362mm	610mm	988mm	851mm	699mm		794mm	641mm	838mm	686mm
AM363612L	36.25	36.25	10.14	40.50	37.15	10.27	30.00	38.90	33.50	33.50	8	31.25	31.25	33.00	33.00
	921mm	921mm	258mm	1,029mm	944mm	261mm	762mm	988mm	851mm	851mm		794mm	794mm	838mm	838mm
AM363616L	36.04	36.04	14.14	40.50	37.15	14.27	30.00	38.90	33.50	33.50	8	31.25	31.25	33.00	33.00
	915mm	915mm	3659mm	1,029mm	944mm	362mm	762mm	988mm	851mm	851mm		794mm	794mm	838mm	838mm
AM483612L	48.25	36.25	10.14	52.50	37.15	10.27	30.00	50.90	45.50	33.50	8	43.25	31.25	45.00	33.00
	1,226mm	921mm	258mm	1,334mm	944mm	261mm	762mm	1,293mm	1,156mm	851mm		1,099mm	794mm	1,143mm	838mm
AM483616L	48.04	36.04	14.164	52.50	37.15	14.27	30.00	50.90	45.50	33.50	8	43.25	31.25	45.00	33.00
	1,220mm	915mm	359mm	1,334mm	944mm	362mm	762mm	1,293mm	1,156mm	851mm		1,099mm	794mm	1,143mm	838mm
AM603612L	60.25	36.25	10.14	64.50	37.15	10.27	30.00	62.90	57.50	33.50	8	55.25	31.25	57.00	33.00
	1,530mm	921mm	258mm	1,638mm	944mm	261mm	762mm	1,598mm	1,461mm	851mm		1,403mm	794mm	1,448mm	838mm
AM603616L	60.04	36.04	14.14	64.50	37.15	14.27	30.00	62.90	57.50	33.50	8	55.25	31.25	57.00	33.00
	1,525mm	915mm	360mm	1,638mm	944mm	362mm	762mm	1,598mm	1,461mm	851mm		1,403mm	794mm	1,448mm	838mm

All dimensions are in inches unless otherwise noted.

EMPIRE SERIES



Order Today: 419-636-4217, Fax: 419-636-2450, e-mail: sales@alliedmoulded.com



Empire Series: Wall Mount 3-Point Latch Hinged Cover



APPLICATION

- Designed to insulate and house electrical and electronic controls, instruments or components for indoor and outdoor applications
- Especially well suited for high temperature or corrosive environments
- Protects from dirt, dust, oil and water

STANDARDS

- UL Types 1, 4, and 4X
- CSA Types 1, 4, and 4X
- NEMA Types 1, 4, and 4X
- IEC 60529 Type IP66

CONSTRUCTION

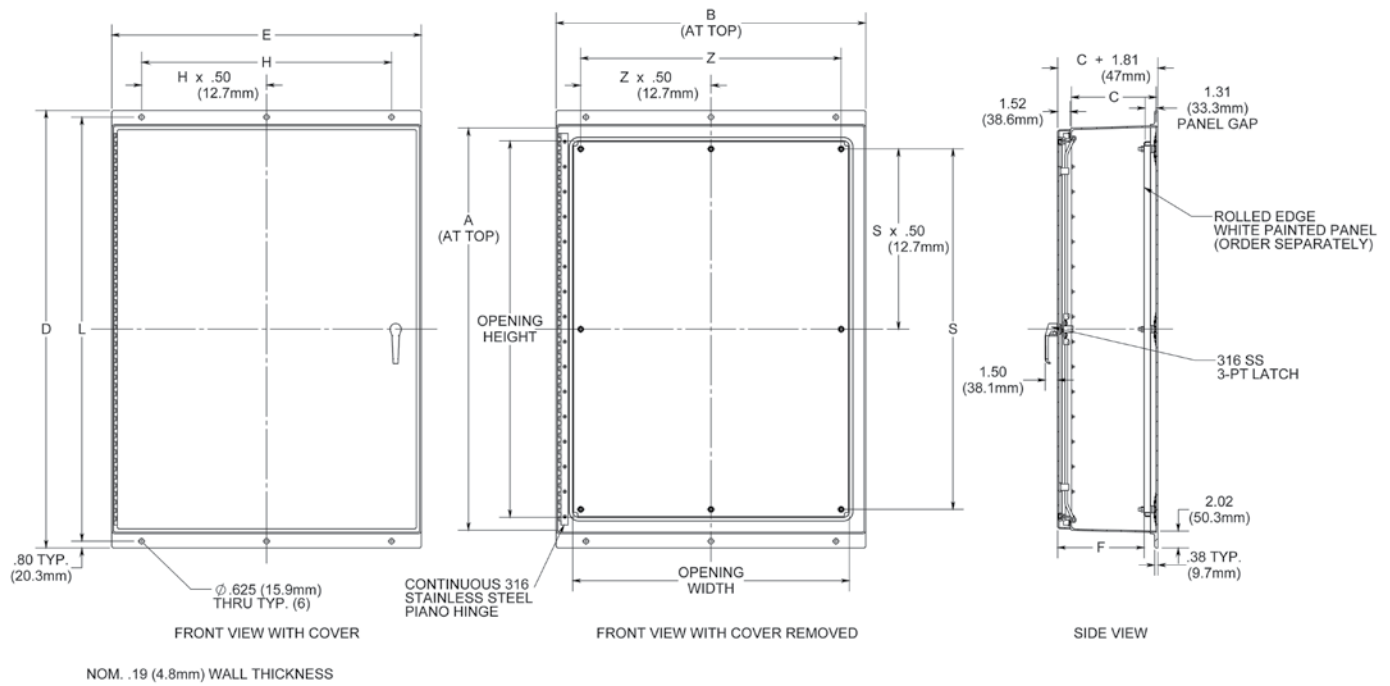
- Durable, corrosion resistant Ultraguard® fiberglass material construction
- Flexible, self-gripping gasket compresses over flange for tight seal and has one 3-point latching handle with pad locking provision
- Heavy-duty continuous 300 series stainless steel hinge
- Ultraguard® fiberglass material has UV inhibitors which provide ideal protection from outdoor weathering

ACCESSORIES

- Optional painted carbon steel back panels (See page 101.)
- Optional thermal management products (See pages 103-104.)
- Optional print pocket (See page 103.)

MODIFICATIONS

See page 107-109.



Part No.	Box Dim. at Top			Overall Box Dim.		Usable Depth	Flange Mount		Opening		Panel Studs		Panel Size		
	A	B	C	D	E		F	H	L	Height	Width	# of Studs	S	Z	Height
AM363012L3PT	36.25	30.25	10.14	40.50	31.15	10.27	24.00	38.90	33.50	27.50	6	31.25	25.25	33.00	27.00
	921mm	768mm	258mm	1,029mm	791mm	261mm	610mm	988mm	851mm	699mm		794mm	641mm	838mm	686mm
AM363016L3PT	36.04	30.04	14.16	40.50	31.15	14.27	24.00	38.90	33.50	27.50	6	31.25	25.25	33.00	27.00
	915mm	763mm	359mm	1,029mm	791mm	362mm	610mm	988mm	851mm	699mm		794mm	641mm	838mm	686mm
AM363612L3PT	36.25	36.25	10.14	40.50	37.15	10.27	30.00	38.90	33.50	33.50	8	31.25	31.25	33.00	33.00
	921mm	921mm	258mm	1,029mm	944mm	261mm	762mm	988mm	851mm	851mm		794mm	794mm	838mm	838mm
AM363616L3PT	36.04	36.04	14.14	40.50	37.15	14.27	30.00	38.90	33.50	33.50	8	31.25	31.25	33.00	33.00
	915mm	915mm	3659mm	1,029mm	944mm	362mm	762mm	988mm	851mm	851mm		794mm	794mm	838mm	838mm
AM483612L3PT	48.25	36.25	10.14	52.50	37.15	10.27	30.00	50.90	45.50	33.50	8	43.25	31.25	45.00	33.00
	1,226mm	921mm	258mm	1,334mm	944mm	261mm	762mm	1,293mm	1,156mm	851mm		1,099mm	794mm	1,143mm	838mm
AM483616L3PT	48.04	36.04	14.164	52.50	37.15	14.27	30.00	50.90	45.50	33.50	8	43.25	31.25	45.00	33.00
	1,220mm	915mm	359mm	1,334mm	944mm	362mm	762mm	1,293mm	1,156mm	851mm		1,099mm	794mm	1,143mm	838mm
AM603612L3PT	60.25	36.25	10.14	64.50	37.15	10.27	30.00	62.90	57.50	33.50	8	55.25	31.25	57.00	33.00
	1,530mm	921mm	258mm	1,638mm	944mm	261mm	762mm	1,598mm	1,461mm	851mm		1,403mm	794mm	1,448mm	838mm
AM603616L3PT	60.04	36.04	14.14	64.50	37.15	14.27	30.00	62.90	57.50	33.50	8	55.25	31.25	57.00	33.00
	1,525mm	915mm	360mm	1,638mm	944mm	362mm	762mm	1,598mm	1,461mm	851mm		1,403mm	794mm	1,448mm	838mm

All dimensions are in inches unless otherwise noted.

EMPIRE SERIES



Empire Series: Free Standing Single Door



APPLICATION

- Designed to insulate and house electrical and electronic controls, instruments or components for indoor and outdoor applications
- Especially well suited for high temperature or corrosive environments
- Protects from dirt, dust, oil and water

STANDARDS

- UL Types 1, 4, and 4X
- CSA Types 1, 4, and 4X
- NEMA Types 1, 4, and 4X
- IEC 60529 Type IP66

CONSTRUCTION

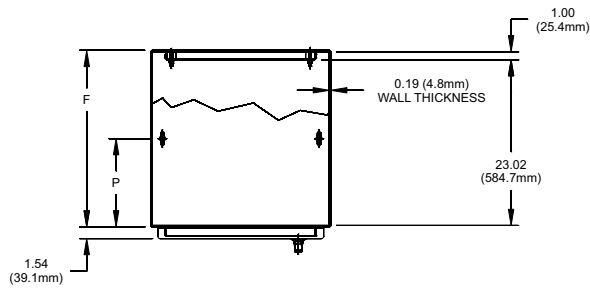
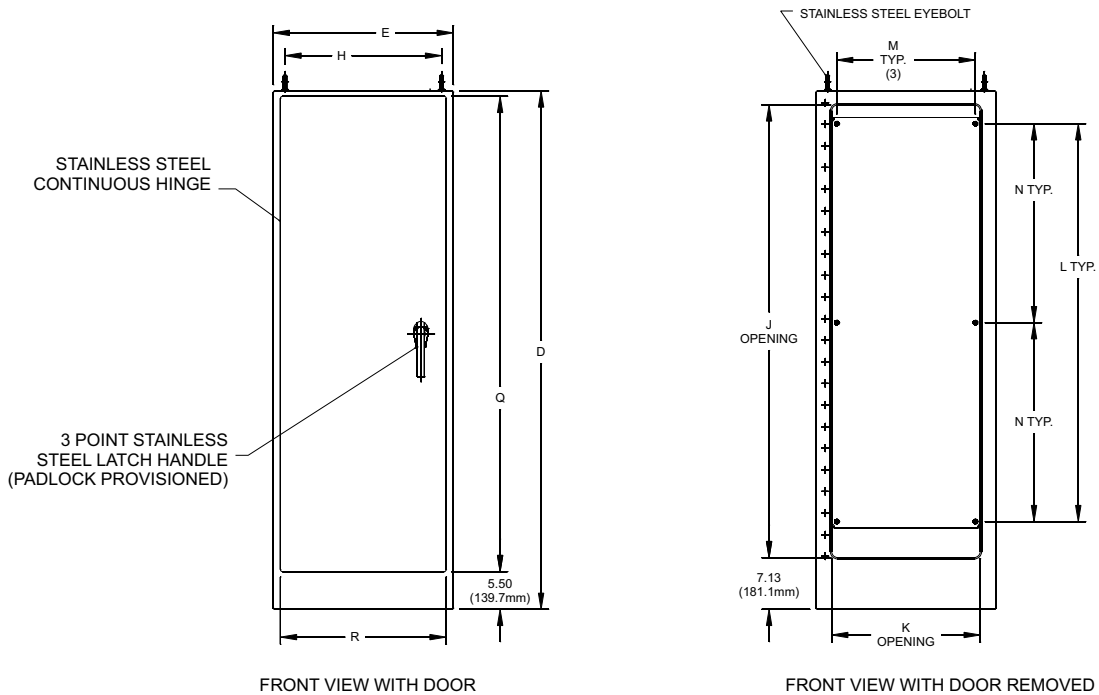
- Durable, corrosion resistant Ultraguard® fiberglass material construction
- Soft, self-gripping gasket compresses over flange for tight seal and has one 3 point latching handle with padlocking provision
- Heavy-duty continuous 300 series stainless steel hinge
- Ultraguard® fiberglass material has UV inhibitors which provide ideal protection from outdoor weathering
- Heavy duty lifting eyes
- Molded-in drip shield

ACCESSORIES

- Optional painted carbon steel back panels
- Optional thermal management products (See pages 103-104.)
- Optional print pocket (See page 103.)

MODIFICATIONS

See page 107-109.



Part No.	D	E	F	H	J	K	L	M	N	P	Q	R	# PANEL MOUNT STUDS
AM722525FS	72.00 1829mm	25.00 635mm	24.50 622mm	21.75 552mm	62.88 1597mm	20.63 524mm	55.25 1403mm	19.25 489mm	27.63 702mm	12.25 311mm	66.00 1676mm	23.00 584mm	6

All dimensions are in inches unless otherwise noted.

Optional Carbon Steel Back Panel		
Part No.	Height	Width
P7225CS	57.00 1448mm	21.00 533mm

EMPIRE SERIES



Order Today: 419-636-4217, Fax: 419-636-2450, e-mail: sales@alliedmoulded.com



Empire Series: Free Standing Double Door



APPLICATION

- Designed to insulate and house electrical and electronic controls, instruments or components for indoor and outdoor applications
- Especially well suited for high temperature or corrosive environments
- Protects from dirt, dust, oil and water

STANDARDS

- UL Types 1, 4, and 4X
- CSA Types 1, 4, and 4X
- NEMA Types 1, 4, and 4X
- IEC 60529 Type IP66

CONSTRUCTION

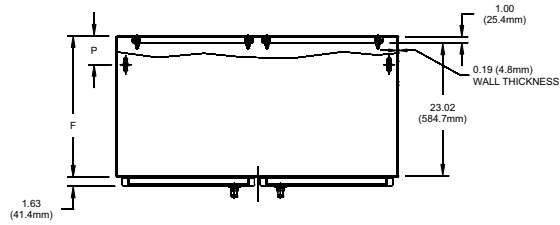
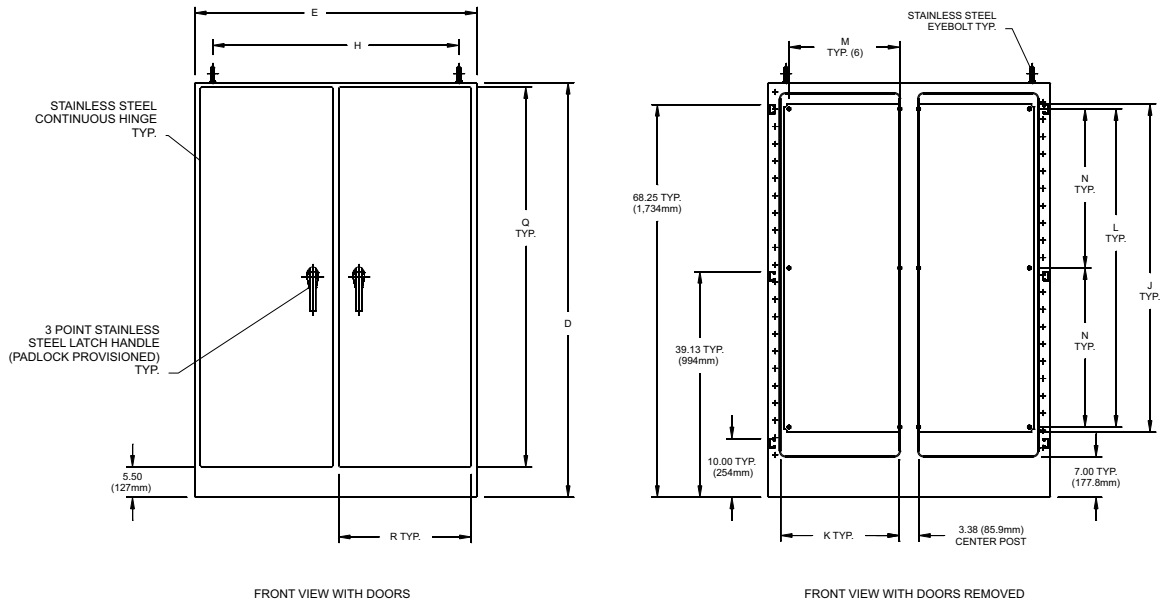
- Durable, corrosion resistant Ultraguard® fiberglass material construction
- Flexible, self-gripping gasket compresses over flange for tight seal and has two 3 point latching handles with padlocking provision
- Heavy-duty continuous 300 stainless steel hinge
- Ultraguard® Fiberglass material has UV inhibitors which provide ideal protection from outdoor weathering
- Heavy duty lifting eyes
- Molded-in drip shield
- Fiberglass mounting strut installed on side

ACCESSORIES

- Optional painted carbon steel back panels
- Optional thermal management products (See pages 103-104.)
- Optional print pocket (See page 103.)

MODIFICATIONS

See page 107-109.



EMPIRE SERIES

Part No.	D	E	F	H	J	K	L	M	N	P	Q	R	# PANEL MOUNT STUDS
AM724925FSDD	72.00 1829mm	49.00 1245mm	24.50 622mm	45.25 1149mm	62.88 1597mm	20.63 524mm	55.25 1403mm	19.25 489mm	27.63 702mm	5.00 127mm	66.00 1676mm	23.00 584mm	12

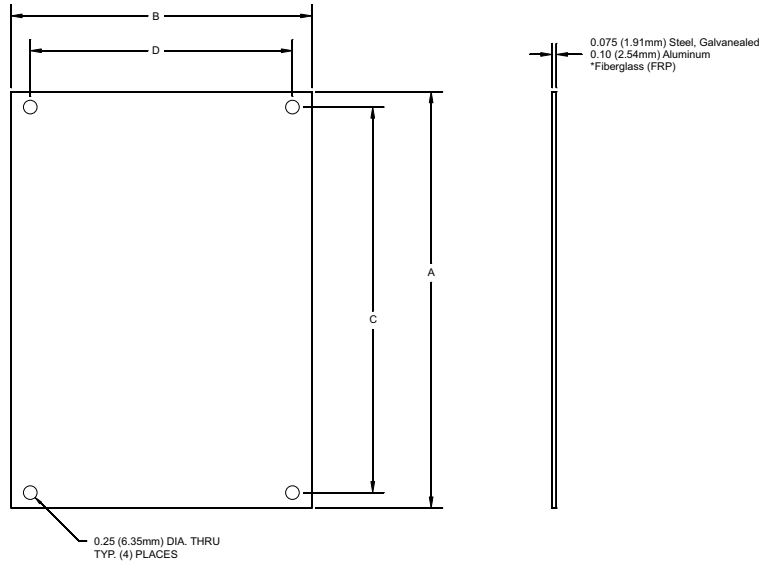
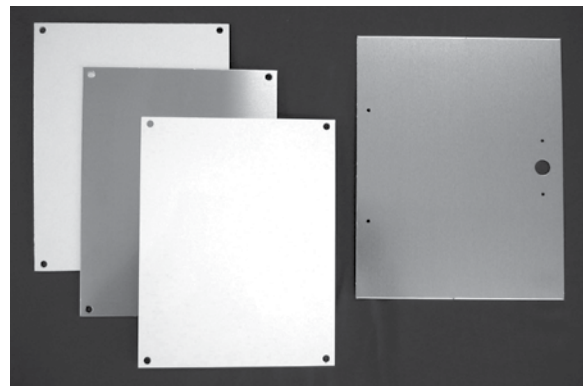
All dimensions are in inches unless otherwise noted.

Optional Carbon Steel Back Panel		
Part No.	Height	Width
P7249CS	57.00 1448mm	21.00 533mm



Order Today: 419-636-4217, Fax: 419-636-2450, e-mail: sales@alliedmoulded.com

AM / AMU / AM-R:
Optional "P" White Painted Carbon Steel,
"PA" Aluminum Back Panels
"PF" Fiberglass Back Panels
"PG" Galvannealed Back Panels

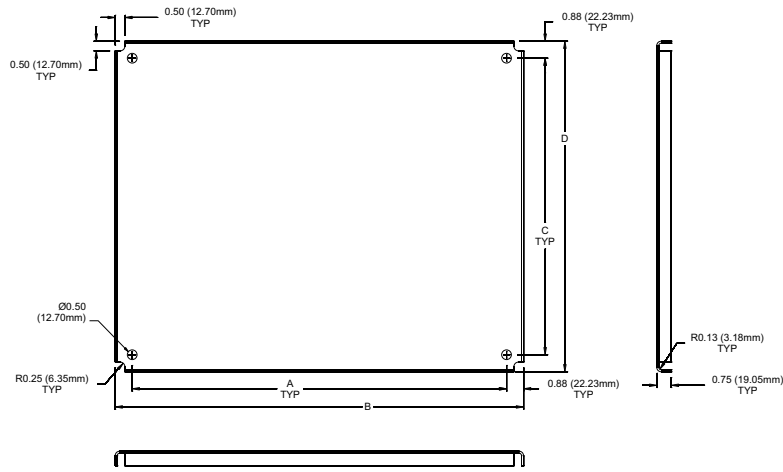


AM, AMHD, AMU, AM-R SERIES (JIC Sizes)

Steel	Alum	FRP	Galv	A	B	C	D
P66	PA66	PF66	PG66	4.81 122mm	4.81 122mm	4.25 108mm	4.25 108mm
P86	PA86	PF86	PG86	6.75 171mm	4.88 124mm	6.25 159mm	4.25 108mm
P108	PA108	PF108	PG108	8.75 222mm	6.88 175mm	8.25 210mm	6.25 159mm
P120	PA120	PF120	PG120	10.75 273mm	8.88 226mm	10.25 260mm	8.25 210mm
P142	PA142	PF142	PG142	12.75 324mm	10.88 276mm	12.25 311mm	10.25 260mm
P164	PA164	PF164	PG164	14.75 375mm	12.88 327mm	14.25 362mm	12.25 311mm
P186	PA186	PF186	PG186	16.88 429mm	14.88 378mm	16.25 413mm	14.25 362mm
P206	PA206	PF206	PG206	18.44 468mm	14.44 367mm	17.81 452mm	13.81 351mm

*Fiberglass panel thickness: (.125") PF66, PF86, PF108; (.187") PF120, PF142, PF164; (.250") PF186, PF206

AM / AM-R / Control Series / Empire Series: Optional "P" White Painted Carbon Steel, "PA" Aluminum Back Panels "PF" Fiberglass Back Panels "PG" Galvannealed Back Panels



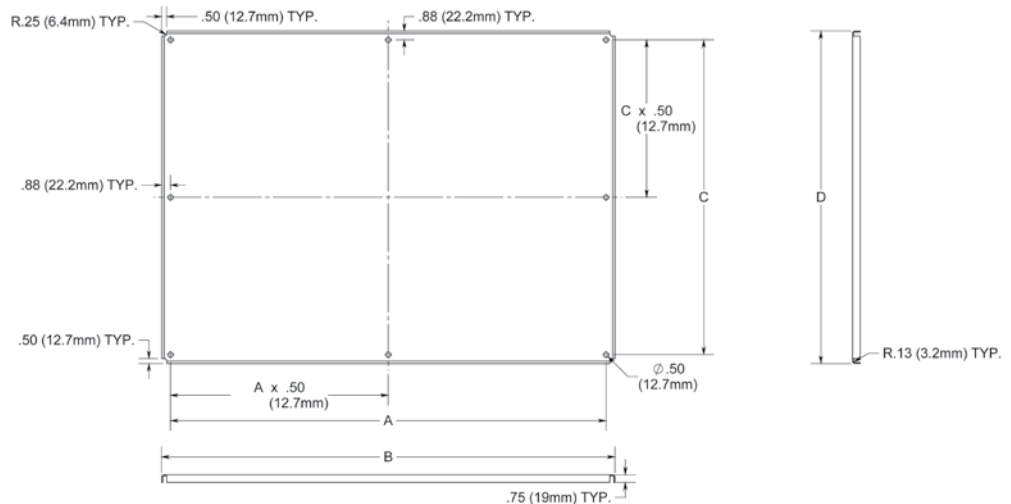
CONTROL SERIES

Steel	Alum	FRP	Galv	A	B	C	D
P2420	PA2420	PF2420	PG2420	19.25 489mm	21.00 533mm	15.25 387mm	17.00 432mm
P2424	PA2424	PF2424	PG2424	19.25 489mm	21.00 533mm	19.25 489mm	21.00 533mm
P3024	PA3024	PF3024	PG3024	25.25 641mm	27.00 686mm	19.25 489mm	21.00 533mm

Steel panel thickness: (.1046") P2420, P2424, P3024; Aluminum panel thickness: (.1046") PA2420, PA2424, PA3024

Fiberglass panel thickness: (.250") PF2420, PF2424, PF3024; Galvanized steel panel thickness: (.1046") PG2420, PG2424, PG3024

Note: Fiberglass is just a flat panel, no rolled edge.



EMPIRE SERIES

Steel	A	B	C	D
P3630CS	31.24 793mm	33.00 838mm	25.24 641mm	27.00 686mm
P3636CS	31.24 793mm	33.00 838mm	31.24 793mm	33.00 838mm
P4836CS	43.24 1,098mm	45.00 1,143mm	31.24 793mm	33.00 838mm
P6036CS	55.24 1,403mm	57.00 1,448mm	31.24 793mm	33.00 838mm

Note: Empire panels are .1046" in thickness

Order Today: 419-636-4217, Fax: 419-636-2450, e-mail: sales@alliedmoulded.com

AM-R Series: (Used with raised cover only) Aluminum Hinged Front Panels (HFP)

Features:

- Panels designed to offer both a professional instrumentation display and a protective covering for electric wiring inside the enclosure
- Completely field-installable panel design with no required enclosure modifications
- Latch design secures panel in place with one-quarter turn
- One-half-inch adjustability up or down
- For use with raised cover enclosures from 6" x 6" through 30" x 24"
- Panel modifications available include: cut-in holes, and screen printing
- Compliant with RoHS directive

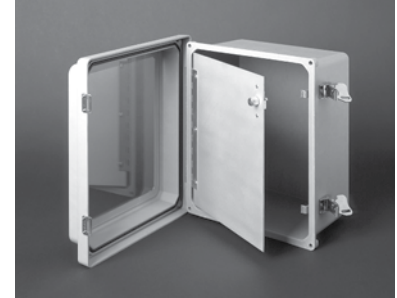
AM-R JIC SERIES:

Part No.	Panel Dimension
HFP66	5.60 x 5.60 x .09 142mm x 142mm x 2.3mm
HFP86	7.50 x 5.62 x .09 191mm x 143mm x 2.3mm
HFP108	7.50 x 9.50 x .09 191mm x 241mm x 2.3mm
HFP120	9.50 x 11.50 x .09 241mm x 292mm x 2.3mm
HFP142	11.50 x 13.50 x .09 292mm x 343mm x 2.3mm
HFP164	13.50 x 15.50 x .09 343mm x 394mm x 2.3mm
HFP186*	15.625 x 17.625 x .09 397mm x 448mm x 2.3mm
HFP206	15.25 x 19.25 x .09 387mm x 489mm x 2.3mm

*Standard HFP186 doesn't fit in AMHD product.

AM-R CONTROL SERIES:

Part No.	Panel Dimension
HFP2420	19.375 x 23.25 x .09 492mm x 591mm x 2.3mm
HFP2424	23.375 x 23.25 x .09 594mm x 591mm x 2.3mm
HFP3024	23.375 x 29.25 x .09 594mm x 743mm x 2.3mm



Note: Please refer to website www.alliedmoulded.com for installed HFP drawings and dimensional information.

AMU Series: Aluminum Hinged Front Panels (HFPU)

Features:

- Panels designed to offer both a professional instrumentation display and a protective covering for electric wiring inside the enclosure
- Completely field-installable panel design. Installation instruction sheet included.
- Latch design secures panel in place with one-quarter turn
- For use with enclosures from 6" x 6" through 20" x 16"
- Panel modifications available include: cut-in holes, and screen printing
- Compliant with RoHS directive

AMU JIC SERIES:

Part No.	Panel Dimension
HFPU66	5.87 x 5.64 x .09 149mm x 143mm x 2.3mm
HFPU86	7.73 x 5.91 x .09 196mm x 150mm x 2.3mm
HFPU108	7.87 x 9.64 x .09 200mm x 245mm x 2.3mm
HFPU120	9.86 x 11.64 x .09 250mm x 296mm x 2.3mm
HFPU142	11.86 x 13.64 x .09 301mm x 346mm x 2.3mm
HFPU164	13.86 x 15.64 x .09 352mm x 397mm x 2.3mm
HFPU186	15.99 x 17.90 x .09 406mm x 455mm x 2.3mm
HFPU206	15.55 x 19.65 x .09 395mm x 499mm x 2.3mm



Note: Please refer to website www.alliedmoulded.com for installed HFP drawings and dimensional information.



Enclosure Accessories

ENCLOSURE PRINT POCKET

PART NO.: **AMPRINTPOCKET**

- Easy to install in the field
- Store prints or other important documents inside the enclosure
- Grey polystyrene print pocket for large JIC Series, Control Series, and Empire Series enclosures
- Two-sided adhesive tape pre-applied to print pocket
- Size: 9.375 in (H) x 10.375 in (W) x 1.045 in (D)
238 mm (H) x 264 mm (W) x 27 mm (D)



ENCLOSURE VENTILATION KIT

PART NO.: **AMVENTSM & AMVENTLG**

- Grey polyamide material
- Use with JIC Series enclosures - Install two per enclosure
- Installation instruction sheet included
- Seal included in kit to ensure raintight enclosure protection
- Two vents per kit for field installation allows for sufficient air circulation and prevents condensation and moisture

Overall Dimensions:

AMVENTSM; 1 in (25 mm) x 1.125 in (29 mm) and requires .75 in (19mm) through hole

AMVENTLG; 2 in (51 mm) x 2.675 in (68 mm) and requires 1.156 in (29 mm) through hole



EXHAUST FILTER KIT

PART NO.: **AMPFA1000, AMPFA2000, and AMPFA3000**

- Three sizes covering large JIC Series, Control Series, and Empire Series enclosures
- Non-metallic made from strong ABS-FR, self-extinguishing material (UL 94 VO)
- Snap-in design allows for hardware-free installation
- Gaskets included provide a NEMA 12 seal against the enclosure
- Filter cover comes standard in light grey RAL 7035 color
- Installation instruction sheet included
- Replaceable filter material provides for 73% filtration efficiency
- Filter density is standard 150 (g/m²)



Continued on next page.

Enclosure Accessories

EXHAUST FILTER KIT CONT.

PART NO.: **AMPFA1000, AMPFA2000, and AMPFA3000**

Size Information:

- AMPFA1000; 4.133in (105mm) x 4.133in (105mm) x 0.39in (10mm)
- AMPFA2000; 5.905in (150mm) x 5.905in (150mm) x 1.06in (27mm)
- AMPFA3000; 9.842in (250mm) x 9.842in (250mm) x 1.18in (30mm)

Note: There are other thermal management accessories available upon request. These include: Fans, replacement filters, heaters, air-conditioners, and thermostats. Please contact factory for more information.



ENCLOSURE KEYLOCK KITS

PART NO.: **AMKEYLOCKFC, AMKEYLOCKRC, and AMKEYLOCKRCHFP**

- AMKEYLOCKFC keylock assembly kit for (F)flat (C)cover enclosures 6x6 through 20x16 (AM Series)
- AMKEYLOCKRC keylock assembly kit for (R)raised (C)cover enclosures 6x6 through 30x24 (AM-R Series)
- AMKEYLOCKRCHFP keylock assembly kit for (R)raised (C)cover enclosures with a (H)hinge (F)front (P)panel installed in enclosures 10x8 through 30x24 (AM-R Series)
- Kits include: Two keys, keylock assembly, cam, dust cover, lock bracket, and hardware
- Field installable while requiring only a round hole to be cut into the cover
- Keylocks are sold with a self locking nut for tight and secure assembly
- Just a 1/4 turn rotation is required to lock the enclosure cover
- Installed keylock assemblies have been tested and pass the NEMA 4X watertight test
- Manufactured components are RoHS compliant (Restriction of Hazardous Substances)



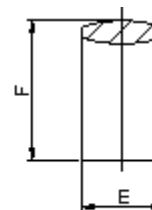
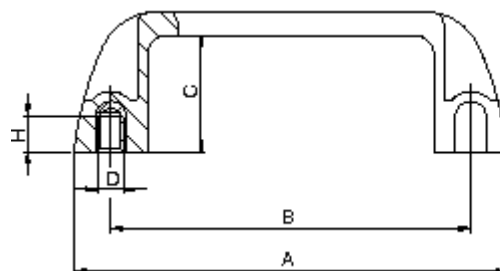
PULL TYPE HANDLE

PART NO.: **AMHDL001**

- Handle: Glass fiber reinforced nylon
- Finish: Black matte
- Screws and lock washers included

Dimensions

- A: 5.47 in (139 mm)
- B: 4.61 in (117 mm)
- C: 1.34 in (34 mm)
- D: 1/4 - 20
- E: 1.02 in (26 mm)
- F: 1.61 in (41 mm)
- H: .35 in (9 mm)



Enclosure Accessories

POLE MOUNT KITS

MATERIALS OF CONSTRUCTION

Pole Mount Flange

- Galvannealed steel; 14 gauge (.075 in.)

Pole Mount Band Clamp

- 300 series stainless steel (48 in.)

Flange Fasteners (screw, washer, and lock nut)

- 300 series stainless steel (#10-32)



ENCLOSURE POLE MOUNT KITS ARE USED WITH:

Kit Number	AM Series Units ¹		AMU & AMP Flange Mount Units ²
	Standard Mount	Rotated 90 Degrees	Standard Mount
AMPOLEMNT6	AM664, AM864	None	AMU(P)664, AMU(P)864
AMPOLEMNT8	AM1084, AM1086	AM864	AMU(P)1084
AMPOLEMNT10	AM1206	AM1084, AM1086	AMU(P)1206
AMPOLEMNT12	AM1426	AM1206	AMU(P)1426
AMPOLEMNT14	AM1648	AM1426	AMU1648
AMPOLEMNT16	AM1868, AM2068	AM1648	AMU1860, AMU2060
AMPOLEMNT20	AM2420	None	None
AMPOLEMNT24	AM2424, AM3024	AM2420	None

¹Pole mount brackets are directly mounted to the back of these enclosures.

²Enclosure flange is bolted through and attached to the pole mount bracket on these enclosures.

FEATURES & BENEFITS

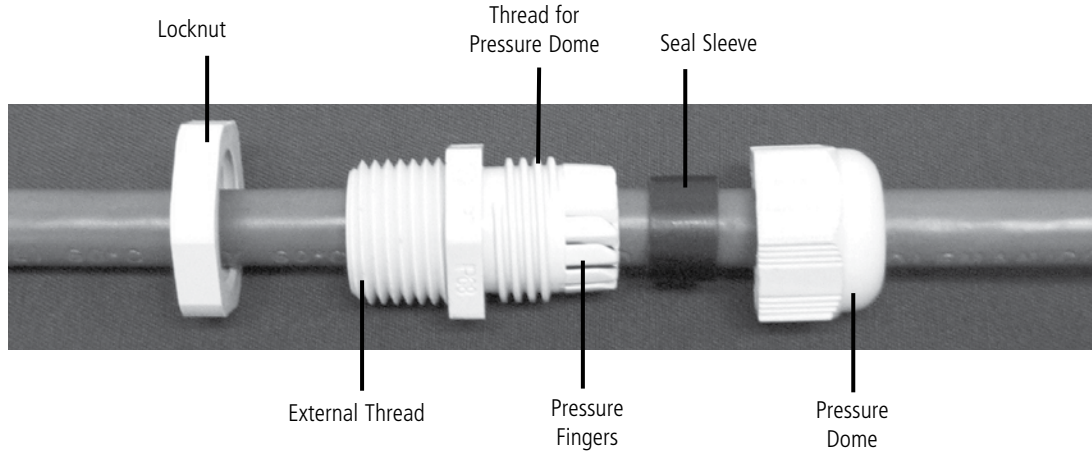
- Eight sizes covering AM JIC, AMU JIC, AMP JIC, and Control Series enclosures
- Steel band design allows for adjustable mounting capability on pole sizes up through 15 inches in diameter
- Allied pole mount kits have the capability to mount enclosures to round, square, and rectangular pole shapes.
- Fewer parts are used so minimal assembly is required for installation
- Pole mount kits offer corrosion protection for outdoor use



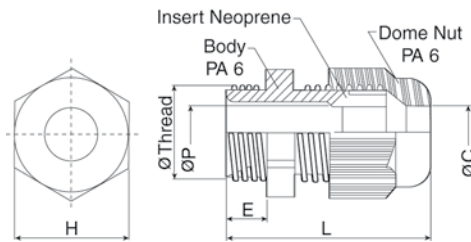
Enclosure Accessories

CORD GRIPS

- Body: Polyamide 6
- Seal: Neoprene
- Lock Nut: 25% glass fiber reinforced Polyamide 6
- Color: Light Grey
- Maximum strain relief through clamping range
- IP68 achieved without seal rings
- Trapezoidal thread with high torque guarantees tight and permanent fit of the dome nut
- Gas and water-tight
- CSA approved and UL listed
- Temp range: PA 6 -40 to 100 deg C (-40 to 212 deg F)
Neoprene -25 to 100 deg C (-13 to 212 deg F)
- Recommended enclosure hole size for external thread:
NPT 1/2" 21.8mm (.8594 in); **NPT 3/4"** 27.4mm (1.0781 in);
NPT 1" 34.1mm (1.3438 in)



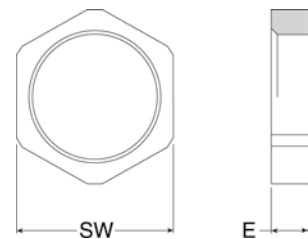
CORD GRIP DIMENSIONS



Thread Size	Part Number	Clamping Range (mm)	Package Quantity	H (mm)	E (mm)	L (mm)	Dia C (mm)	Dia P (mm)	Dia NPT/M (mm)
NPT 1/2"	5308901	5 to 12	50	24	14	44	12.5	12.5	21.2
NPT 3/4"	5308902	9 to 18	20	33	15	54	18.5	18.5	26.7
NPT 1"	5308903	14 to 25	20	42	18	60	25.5	25.5	33.3

LOCK NUT DIMENSIONS

Thread Size	Part Number	Package Quantity	Thickness E (mm)	SW (mm)
NPT 1/2"	7211486-50	50	6	27
NPT 3/4"	7211487	20	7	36
NPT 1"	7211488	20	7	41





CUSTOM MODIFICATIONS

Your source for fast, no-hassle modifications.

With Allied Moulded's complete modification services, the need for inconvenient secondary handling of your enclosure is eliminated, saving you time and money.

We are pleased to customize any of our standard products with the following modifications:

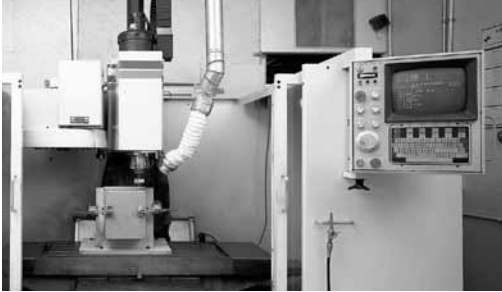
- Holes and cutouts
- Polycarbonate viewing windows
- EMI/RFI shielding
- Factory supplied silk screening
- Molded in color matches

Industry's lowest volume requirements.

Because we are dedicated to providing you with outstanding service, we have the lowest volume requirements on custom work in the industry and guarantee quick delivery, often in less than three weeks from receipt of your order.

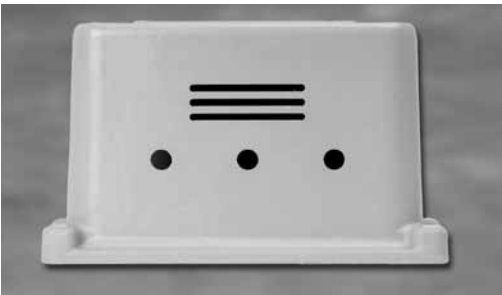
Computer-controlled CNC

We incorporate computer controlled manufacturing equipment into our operation which assures that modifications such as specialty holes and cutouts are exact to your specifications each time you order.



Custom holes and cutouts

Custom holes and cutouts allow for conduit entry or device mounting to meet the needs of any application.



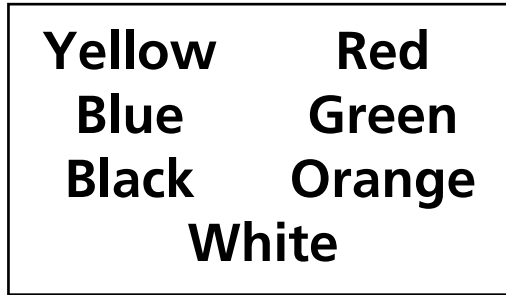
EMI/RFI shielding

EMI/RFI shielding provides high-level protection against electromagnetic and radio frequency interference.



Silk Screen printing

Silk screen printing is a practical, professional way to identify corporate identity or enclosure function.



Custom colors

Custom color pigments result in a homogeneously molded product.

Custom panels

Available custom metal work includes holes and cutouts on either back and hinged deadfront panels.



SPECIALS/MODIFICATION REQUEST FORM

For modification orders, please photocopy and complete this form,
then return to Allied Moulded via mail or fax to 419-636-2450.

Date: _____ Part Number: _____ Quantity: _____

Name: _____ Company _____

Address: _____

City: _____ State: _____ Zip: _____

Email: _____ Phone: _____

Size

H _____ x W _____ x D _____

Cover

Flush Raised Screw cover Hinged cover Hinged on short side

Latching Options

Snap latch Twist latch 3-point

Panels

Back panel required: Yes No Size: H _____ x W _____
Back panel material: Carbon steel Aluminum Fiberglass Galvannealed
Hinge front panel required: Yes No
Side Panel required: Yes No Size: H _____ x W _____

Windows

Window required: Yes No Size: H _____ x W _____
General location of window: _____

Molded-In Color

Standard Grey White Orange
 Blue Black Red
 Yellow Green
Other (please specify): _____

Other Modifications

Holes/Cutouts _____ Number; Location: _____
 Silk Screening
 EMI/RFI Shielding

Additional Information/Notes

Submit request to: Allied Moulded Products, Inc. Fax to: 800-237-7269
For assistance or questions, call Allied Moulded at 419-636-4217. www.alliedmoulded.com

TECHNICAL SPECIFICATIONS

An enclosure is a housing constructed to provide a degree of protection from accidental contact with the enclosed equipment and external environmental conditions.

NEMA Type 4X fiberglass enclosures

- All fiberglass enclosures are listed under UL standard 508A, (CSA standard 22.2 No. 14). This type of enclosure is suitable for both indoor and outdoor use in corrosive environments and is resistant to UV degradation. Fiberglass material shall meet UL 746C requirements with halogen-free and self-extinguishing characteristics.
- Enclosure is constructed using a hot compression-molded process and a fiberglass reinforced polyester resin compound with a minimum of 20% fiberglass by weight. A cold molded procedure may be used for larger cabinets.
- Fiberglass reinforced polyester exhibits high impact resistance, a superior range of temperature limits, excellent dimensional stability, excellent electrical properties, and excellent moisture and overall chemical resistance.
- Standardizing enclosure performance is accomplished by use of rating systems of various specifying organizations (NEMA, UL, CSA) identifying an enclosure's ability to resist external environmental influences. These ratings have distinct differences even though they are intended to provide information in order to make a safer and informed product choice.
- Any external metal parts shall be 300 series stainless steel. Any internal metal parts shall be manufactured using corrosion resistant materials.
- NEMA Type 4X enclosures are fabricated and rated specifically for resistance to corrosive elements.
- Fiberglass Reinforced Polyester is the material of choice in applications where physical strength specifications are average and excellent corrosion resistance is required.
- Advantages of non-metallic enclosures:
 - (1) Unlike metals, fiberglass reinforced polyester is non-corrosive.
 - (2) Enclosures are homogeneous, thus they require little maintenance.
 - (3) Due to their light weight, non-metallic enclosures can be very easily handled, installed and modified.

Chemical Resistance Table

- See chart below for ratings for specific reagents.
- In most applications, fiberglass reinforced polyester offers the best all around performance in corrosive environments.
- These environmental resistance ratings are based upon tests where the specimens were placed in complete submergence in the reagent listed. If there are any questions for specific suitability in a given environment, prototype samples should be tested under actual conditions.
- The prospective user must determine the application of our product in an environment based upon individual characteristics. We offer no guarantee or warranty as to the applicability of this chart for any particular situation as actual conditions of use are beyond our control. In many applications, several corrosive agents are present and reactions among them are not always documented. Any environment can be rather unique necessitating the identification of all possible corrosive elements that may affect the intended enclosure application.

Chemical Resistance Ratings

SALTS

Ammonium sulfate	A
Potassium ammonia sulfate	A
Ammonium bichromate 20%	B
Ammonium carbonate 10%	B
Ammonium chloride	A
Ammonium nitrate	B
Ammonium sulfate 10%	A
Ammonium acetate	C
Aniline sulfate	A
Carbonate of barium	C
Chloride of barium	A
Calcium chloride, saturated sol.	A
Calcium hypochlorite	B
Calcium sulfate	A
Copper (II) chloride	A
Copper (III) sulfate	A
Iron (III) chloride	A
Iron (III) nitrate	A
Iron (III) sulfate	A
Iron (II) chloride	A
Iron (II) sulfate	A
Magnesium chloride	A
Magnesium sulfate	A
Mercuric (II) chloride	A
Nickel chloride	A
Nickel nitrate	A

Nickel sulfate	A
Potassium carbonate	B
Potassium chloride	A
Potassium nitrate	A
Potassium sulfate	A
Nitrate of silver	A
Sodium acetate	A
Sodium bicarbonate 10%	A
Sodium carbonate 10%	B
Sodium chloride	A
Sodium hypochlorite 5%	B
Sodium nitrate	A
Zinc chloride	A
Sulfate of zinc	A

ACIDS

Acetic acid	A
Benzoic acid	A
Boric acid	A
Chromic acid 30%	C
Citric acid	A
Formic acid 25%	B
Hydrochloric acid 10%	A
Conc. hydrochloric acid	B
Lactic acid 1%	A
Nitric acid 5%	B
Nitric acid 50%	C
Concentrated nitric acid	C
Phosphoric acid 25%	B
Phosphoric acid 50%	C
Sulfuric acid 25%	A
Sulfuric acid 50%	C
Tartaric acid	A
Oxalic acid, saturated solution	A

BASES

Ammonia 5%	B
Ammonia 25%	B
Barium hydroxide 10%	C
Calcium hydroxide	C
Hydroxide of sodium 5%	B
Hydroxide of sodium 20%	C

OILS AND GREASES

Fatty acids	A
Oleic acid	A
Stearic acid	A
Lubricating oil	A

ORGANIC SOLVENTS

Acetone	C
Amyl alcohol	B
Methanol	B
Ethyl alcohol	B
Benzene	B
Butyl acetate	C
Carbon bisulfide	C
Gasoline	A
Petroleum	A
Naphtha	A
Perchloroethylene	B
Toluol	B
Ethyl acetate	B
Dichlorethylene	B
Ether	B

OTHER AGENTS

Ethylene glycol solution of 0 to 100%	A
Glycerine	A
Chlordioxide (bleaching agent)	C
Saturated chlorinated water	A
Formaldehyde 10 to 40%	A
Hydrogen peroxide 5 to 10%	A
Normal water	A
Distilled water	A
Sea-water	A
Phenol	B

LIST OF CONVENTIONAL SYMBOLS

A = EXCELLENT
B = LIMITED
C = POOR

TECHNICAL SPECIFICATIONS

Specification for Allied Moulded enclosures

Fiberglass enclosures will be UL listed to UL standard 508A, CSA standard 22.2 No. 14. The resin system will be pigmented gray, RAL 7035 unless otherwise approved. The resin system will include a flame retardant agent in order to achieve a flammability rating in accordance with UL 94. The enclosure must be hot compression molded from FRP material containing at least 20% fiberglass by weight. Cold molded hand lay up and RTM light open molding process may also be used. The enclosure body will be a one-piece construction and not contain any glued parts (enclosure sizes up through 30" x 24").

Junction and Control enclosures may have either screw, hinged or latched covers. All cover screws and hardware;

including hinges, latches and mounting feet are constructed of 300 series stainless steel material. All internal metal parts are fabricated using corrosion resistant materials. All gaskets are seated in a molded channel and not glued or poured onto a flat cover surface.

Cabinets and larger style enclosures are always provided with hinged doors. The closure systems on these cabinets will either be a three point latching system or a system of external stainless steel twist-turn type latches. Door closure systems using a single external handle will also have three internal latch points. This handle may be key lockable or pad lockable. When using the alternative closure method of external stainless steel twist turn latches, no more than four latches shall be required to maintain NEMA 4X integrity. At least one latch must have a padlock provision.

Physical Properties of non-metallic enclosures					
<i>Materials Typical Properties</i>	<i>ASTM Test ASTM Test Method</i>	<i>Compression Molded Polyester Fiberglass (SMC)</i>	<i>Compression Molded Polyester Fiberglass (BMC)</i>	<i>RTM Molded Polyester Fiberglass</i>	<i>Hand Lay-up Molded Polyester Fiberglass</i>
Impact Strength (ft-lb/in)	D 256	15	4-7	30	30
Flexural Strength (psi)	D 790	25,000	23,000	33,400	33,400
Tensile Strength (psi)	D 638	14,000	8,000	22,000	22,000
Compressive Strength (Ppsi)	D 695	28,000	15,000	24,900	24,900
Water Absorption (%)	D570	0.15	0.20	0.25	0.25
Specific Gravity	D 792	1.75	1.80	1.65	1.65
Shrinkage (in/in)	D 955	0.0016	0.003	0.0015	0.0015
Hardness (Barcol-Rockwell M-Shore A)	D 2583	60	55	62	62.5
Elongation (%)	D 638	2.05	1.50	2.07	2.07
Dielectric Strength (kV/in)	D 149	400	375	380	380
Arc Resistance (sec)	D 495	>180	>180	188	>200
Flammability	UL 94	V-0	V-0	V-0	V-0
Heat Deflection (°F at 264 psi)	D 648	>500	431	428	428
Service Temperature (°F)		-31°F to 266°F	-31°F to 266°F	-31°F to 266°F	-31°F to 266°F
K Factor, Thermal Conductivity (BTU/hr/ft ² /°F)	D 1269E	1.68	2.08	1.68	1.68
Thermal Expansion (10 ⁻⁶ in/in °F)	D 696	20	15	14	12
UV Rating	UL 746C	(f1)	(f1)	(f1)	(f1)

EMI/RFI Specifications

- Standards governing electromagnetic compatibility commonly refer to EMI/RFI, or electromagnetic interference/radio frequency interference.
- Applicable standards used are based on MIL-STD-285 to perform attenuation measurements of EMI/RFI shielded enclosures. The applicable North American standards for the overall assembly, including internal electronics, can vary with the application in which the product is intended to be installed.
- For a complete list of applicable standards, your local testing authority (for example, UL, CSA) should be contacted.
- Such interference is caused by stray voltages and/or currents coupling between electronic systems creating undesirable effects. These undesirable effects can vary between a brief annoyance, to more serious situations, such as a phone interfering with the controls of a machine tool. With the increased emphasis on electronic technology, electromagnetic interference/radio frequency interference is a growing concern.
- Electromagnetic pulses (EMPS) may adversely affect electronic and other control systems. These disturbances may cause erratic operation, and either component failure or a reduction in component life.
- Allied Moulded can provide custom EMI/RFI shielded enclosures to meet many applications. Requests for EMI/RFI shielded enclosures should be directed to the Allied Moulded customer support group.
- Refer to AM specification sheet.

Properties

Shielding Material.....Copper Conductive Coating
Attenuation 75 dB

Sheet Resistance <.025 Ohms/Square @ 2 Mil Thick

The probes of an ohmmeter shall be placed on any area of the surface and the measured resistance shall not exceed .025 ohms.

Attenuation 75 dB

A measure of the shielding effectiveness shall be confirmed by an EMI/RFI test. Actual test data confirmed an average attenuation of 75 dB over the frequency range from .01 to 1000 Mhz.

MIL.SPEC>285

MIL.SPEC>285 is used as a general EMI/RFI test guide. A transmitting antenna is placed inside the enclosure and a receiving antenna is positioned outside. The attenuation is the dB difference between the enclosure OPEN and CLOSE FR power levels.

Weathering/UV Information

Allied Moulded Products' FRP enclosures are hot compression molded. All products of this type, regardless of manufacturer, are exposed to erosion when used outdoors. Due to the combined effects of environmental elements such as rain, wind and UV rays, the polyester matrix is only superficially eroded and as glass fibers become apparent, the degree of the erosion is microscopic. Please note that this superficial erosion has no effect on the physical characteristics of the enclosure whether electrical, mechanical or chemical. The slight erosion can be avoided if a surface coating such as varnish is applied.

Allied Moulded Products' fiberglass enclosures have been successfully used outdoors and tests on field samples support above results. (F1 rated material—suitable for outdoor use)

Painting Information

Good surface preparation is critical in painting fiberglass enclosures, since the mold release agents must be removed before painting. It is recommend that the surface be roughed by lightly rubbing with sandpaper before applying the proper primer. Degreasing the surface with an organic solvent such as alcohol or other domestic cleaning agent is required. The surface must be clean and dry prior to applying the appropriate primer and top coat (polyurethane or epoxy).

Allied Moulded has the capabilities to custom mold color matches specific to your requirements.

Heat Dissipation

Information available upon request.

INDEX

Part number	Page	Part number	Page	Part number	Page
5308901	106	AM1206RHW	69	AM1868RL	71
5308902	106	AM1206RL	71	AM1868RLW	73
5308903	106	AM1206RLW	73	AM1868RT	75
7211486-50	106	AM1206RT	75	AM1868RTW	77
7211487	106	AM1206RTW	77	AM1868RW	65
7211488	106	AM1206RW	65	AM1868T	57
AM1084	45	AM1206T	57	AM1868TW	59
AM1084H	49	AM1206TW	59	AM1868W	47
AM1084HP9	43	AM1206W	47	AM1PB	39
AM1084HW	51	AM1426	45	AM1PB22	39
AM1084L	53	AM1426H	49	AM2068	45
AM1084LW	55	AM1426HP25	43	AM2068H	49
AM1084P9	41	AM1426HW	51	AM2068HW	51
AM1084R	63	AM1426L	53	AM2068L	53
AM1084RH	67	AM1426LW	55	AM2068LW	55
AM1084RHW	69	AM1426P25	41	AM2068R	63
AM1084RL	71	AM1426R	63	AM2068RH	67
AM1084RLW	73	AM1426RH	67	AM2068RHW	69
AM1084RT	75	AM1426RHW	69	AM2068RL	71
AM1084RTW	77	AM1426RL	71	AM2068RLW	73
AM1084RW	65	AM1426RLW	73	AM2068RT	75
AM1084T	57	AM1426RT	75	AM2068RTW	77
AM1084TW	59	AM1426RTW	77	AM2068RW	65
AM1084W	47	AM1426RW	65	AM2068T	57
AM1086	45	AM1426T	57	AM2068TW	59
AM1086H	49	AM1426TW	59	AM2068W	47
AM1086HP12	43	AM1426W	47	AM24200RL	83
AM1086HP9	43	AM1648	45	AM24200RLW	85
AM1086HW	51	AM1648H	49	AM24200RT	87
AM1086L	53	AM1648HP30	43	AM24200RTW	89
AM1086LW	55	AM1648HW	51	AM24208RL	83
AM1086P12	41	AM1648L	53	AM24208RLW	85
AM1086P9	41	AM1648LW	55	AM24208RT	87
AM1086R	63	AM1648P30	41	AM24208RTW	89
AM1086RH	67	AM1648R	63	AM24240RL	83
AM1086RHW	69	AM1648RH	67	AM24240RLW	85
AM1086RL	71	AM1648RHW	69	AM24240RT	87
AM1086RLW	73	AM1648RL	71	AM24240RTW	89
AM1086RT	75	AM1648RLW	73	AM24248RL	83
AM1086RTW	77	AM1648RT	75	AM24248RLW	85
AM1086RW	65	AM1648RTW	77	AM24248RT	87
AM1086T	57	AM1648RW	65	AM24248RTW	89
AM1086TW	59	AM1648T	57	AM2PB	39
AM1086W	47	AM1648TW	59	AM2PB22	39
AM1206	45	AM1648W	47	AM30240RL	83
AM1206H	49	AM1868	45	AM30240RLW	85
AM1206HP16	43	AM1868H	49	AM30240RT	87
AM1206HP20	43	AM1868HP42	43	AM30240RTW	89
AM1206HW	51	AM1868HW	51	AM30248RL	83
AM1206L	53	AM1868L	53	AM30248RLW	85
AM1206LW	55	AM1868LW	55	AM30248RT	87
AM1206P16	41	AM1868P42	41	AM30248RTW	89
AM1206P20	41	AM1868R	63	AM363012L	93
AM1206R	63	AM1868RH	67	AM363012L3PT	95
AM1206RH	67	AM1868RHW	69	AM363016L	93

INDEX

Part number	Page	Part number	Page	Part number	Page
AM363016L3PT	95	AM943	37	AMU1206HW	19
AM363612L	93	AM943SF	37	AMU1206HWF	19
AM363612L3PT	95	AMHD1860RLF	79	AMU1206L	23
AM363616L	93	AMHDL001	104	AMU1206LF	23
AM363616L3PT	95	AMKEYLOCKFC	104	AMU1206LW	25
AM3PB	39	AMKEYLOCKRC	104	AMU1206LWF	25
AM3PB22	39	AMKEYLOCKRCHFP	104	AMU1206T	29
AM483612L	93	AMPFA1000	103,104	AMU1206TF	29
AM483612L3PT	95	AMPFA2000	103,104	AMU1206TW	31
AM483616L	93	AMPFA3000	103,104	AMU1206TWF	31
AM483616L3PT	95	AMPOLEMNT6	105	AMU1206W	13
AM603612L	93	AMPOLEMNT8	105	AMU1206WF	13
AM603612L3PT	95	AMPOLEMNT10	105	AMU1426	11
AM603616L	93	AMPOLEMNT12	105	AMU1426CC	15
AM603616L3PT	95	AMPOLEMNT14	105	AMU1426CCF	15
AM664	45	AMPOLEMNT16	105	AMU1426CCH	21
AM664H	49	AMPOLEMNT20	105	AMU1426CCHF	21
AM664HP4	43	AMPOLEMNT24	105	AMU1426CCL	27
AM664HW	51	AMPRINTPOCKET	103	AMU1426CCLF	27
AM664L	53	AMU1084	11	AMU1426CCT	33
AM664LW	55	AMU1084CC	15	AMU1426CCTF	33
AM664P4	41	AMU1084CCF	15	AMU1426F	11
AM664R	63	AMU1084CCH	21	AMU1426H	17
AM664RH	67	AMU1084CCHF	21	AMU1426HF	17
AM664RHW	69	AMU1084CCL	27	AMU1426HW	19
AM664RL	71	AMU1084CCLF	27	AMU1426HWF	19
AM664RLW	73	AMU1084CCT	33	AMU1426L	23
AM664RT	75	AMU1084CCTF	33	AMU1426LF	23
AM664RTW	77	AMU1084F	11	AMU1426LW	25
AM664RW	65	AMU1084H	17	AMU1426LWF	25
AM664T	57	AMU1084HF	17	AMU1426T	29
AM664TW	59	AMU1084HW	19	AMU1426TF	29
AM664W	47	AMU1084HWF	19	AMU1426TW	31
AM722525FS	97	AMU1084L	23	AMU1426TWF	31
AM724925FSDD	99	AMU1084LF	23	AMU1426W	13
AM743	37	AMU1084LW	25	AMU1426WF	13
AM743SF	37	AMU1084LWF	25	AMU1648	11
AM864	45	AMU1084T	29	AMU1648CC	15
AM864H	49	AMU1084TF	29	AMU1648CCF	15
AM864HP6	43	AMU1084TW	31	AMU1648CCH	21
AM864HW	51	AMU1084TWF	31	AMU1648CCHF	21
AM864L	53	AMU1084W	13	AMU1648CCL	27
AM864LW	55	AMU1084WF	13	AMU1648CCLF	27
AM864P6	41	AMU1206	11	AMU1648CCT	33
AM864R	63	AMU1206CC	15	AMU1648CCTF	33
AM864RH	67	AMU1206CCF	15	AMU1648F	11
AM864RHW	69	AMU1206CCH	21	AMU1648H	17
AM864RL	71	AMU1206CCHF	21	AMU1648HF	17
AM864RLW	73	AMU1206CCL	27	AMU1648HW	19
AM864RT	75	AMU1206CCLF	27	AMU1648HWF	19
AM864RTW	77	AMU1206CCT	33	AMU1648L	23
AM864RW	65	AMU1206CCTF	33	AMU1648LF	23
AM864T	57	AMU1206F	11	AMU1648LW	25
AM864TW	59	AMU1206H	17	AMU1648LWF	25
AM864W	47	AMU1206HF	17	AMU1648T	29

INDEX

Part number	Page	Part number	Page	Part number	Page
AMU1648TF	29	AMU664T	29	P186	100
AMU1648TW	31	AMU664TF	29	P206	100
AMU1648TWF	31	AMU664TW	31	P2420	101
AMU1648W	13	AMU664TWF	31	P2424	101
AMU1648WF	13	AMU664W	13	P3024	101
AMU1860	11	AMU664WF	13	P3630CS	101
AMU1860F	11	AMU864	11	P3636CS	101
AMU1860H	17	AMU864CC	15	P4836CS	101
AMU1860HF	17	AMU864CCF	15	P6036CS	101
AMU1860HW	19	AMU864CCH	21	P66	100
AMU1860HWF	19	AMU864CCHF	21	P7225CS	97
AMU1860L	23	AMU864CCL	27	P7249CS	99
AMU1860LF	23	AMU864CCLF	27	P86	100
AMU1860LW	25	AMU864CCT	33	PA108	100
AMU1860LWF	25	AMU864CCTF	33	PA120	100
AMU1860T	29	AMU864F	11	PA142	100
AMU1860TF	29	AMU864H	17	PA164	100
AMU1860TW	31	AMU864HF	17	PA186	100
AMU1860TWF	31	AMU864HW	19	PA206	100
AMU1860W	13	AMU864HWF	19	PA2420	101
AMU1860WF	13	AMU864L	23	PA2424	101
AMU2060	11	AMU864LF	23	PA3024	101
AMU2060F	11	AMU864LW	25	PA66	100
AMU2060H	17	AMU864LWF	25	PA74	37
AMU2060HF	17	AMU864T	29	PA86	100
AMU2060HW	19	AMU864TF	29	PA94	37
AMU2060HWF	19	AMU864TW	31	PF108	100
AMU2060L	23	AMU864TWF	31	PF120	100
AMU2060LF	23	AMU864W	13	PF142	100
AMU2060LW	25	AMU864WF	13	PF164	100
AMU2060LWF	25	AMVENTLG	103	PF186	100
AMU2060T	29	AMVENTSM	103	PF206	100
AMU2060TF	29	HFP108	102	PF2420	101
AMU2060TW	31	HFP120	102	PF2424	101
AMU2060TWF	31	HFP142	102	PF3024	101
AMU2060W	13	HFP164	102	PF66	100
AMU2060WF	13	HFP186	102	PF74	37
AMU664	11	HFP206	102	PF86	100
AMU664CC	15	HFP2420	102	PF94	37
AMU664CCF	15	HFP2424	102	PG108	100
AMU664CCH	21	HFP3024	102	PG120	100
AMU664CCHF	21	HFP66	102	PG142	100
AMU664CCL	27	HFP86	102	PG164	100
AMU664CCLF	27	HFPU108	102	PG186	100
AMU664CCT	33	HFPU120	102	PG206	100
AMU664CCTF	33	HFPU142	102	PG2420	101
AMU664F	11	HFPU164	102	PG2424	101
AMU664H	17	HFPU186	102	PG3024	101
AMU664HF	17	HFPU206	102	PG66	100
AMU664HW	19	HFPU66	102	PG86	100
AMU664HWF	19	HFPU86	102		
AMU664L	23	P108	100		
AMU664LF	23	P120	100		
AMU664LW	25	P142	100		
AMU664LWF	25	P164	100		

EXPERIENCED MANUFACTURING

Allied Moulded Products . . .
we've got you covered!



We'll Work With You.

Our responsiveness to you goes beyond offering a quality product line. Valuing the relationships we have built with each customer, we work with you as partners to solve your protection requirements.

From product design to quick, on-time delivery, Allied Moulded provides fast, efficient service to meet your specific needs.

Give us a try . . .
we'll work with you!



Allied Moulded Products, Inc. manufactures a complete line of corrosion and UV resistant NEMA Type 4X non-metallic (fiberglass) enclosures for indoor or outdoor industrial applications. The fiberglass reinforced polyester enclosures are manufactured with Ultraguard® a proprietary material formulation offering all the advantages of non-metallic materials including: UL® listed, RoHS compliance, increased strength, reduced weight, corrosion resistance, non-conductivity, UV resistance and ease of installation.

Allied Moulded Brand Names: Ultraline®, Ultraguard®

Enclosure Ratings: NEMA 4X, 6P, IP66, and IP68

Enclosure Series: JIC, AM, AM-R, AMU, Control, and Empire

222 North Union St. • Bryan, OH 43506
419.636.4217 • Fax: 800.237.7269
www.alliedmoulded.com



**ALLIED
MOULDED
PRODUCTS, Inc.**

Available Through: