

POLYLINE™

From Allied Moulded Products 



Polyline™ Polycarbonate Enclosures

From Allied Moulded Products, Inc.
Experts in manufacturing nonmetallic enclosures for industrial applications

POLYLINE™ comes standard with “industry exclusive” multi-mounting capability including an out-of-the-box mounting flange or adjustable mounting feet which adapt to various mounting configurations. Featuring metallic or nonmetallic latches and molded-in latch keepers and mounting bosses, a tongue and groove seal joint between cover and base, POLYLINE™ is the ultimate in polycarbonate enclosures. A clear polycarbonate cover option is also available for instrumentation applications where critical electronic equipment must be visible and protected from the elements.



AMP Series Features & Benefits

- Patented multi-mounting capability
 - Out-of-the-box flange design – factory installed
 - Optional foot mount brackets for multi-directional mounting (vertical or horizontal positioning)
- Mounting dimensions molded into the enclosure base
- Durable polycarbonate feet/flanges resist cracking during wall mount assembly
- Feet and flanges act as an enclosure pad on uneven surfaces preventing enclosure from being drawn down and binding
- Feet and flange pads also allow an air gap or barrier between the enclosure and a warm machine chassis or mounting wall to prevent over-heating



- Cover to base design – Flush, aesthetically pleasing and more modern architecture
 - Clear polycarbonate instrumentation cover where critical electrical/electronic equipment must be visible and protected from the elements
 - Solid/opaque covers available as an additional option



- Molded hinge design with stainless steel tamper resistant hinge pin with no wall penetrations
- Tongue and groove, closed cell neoprene seal design achieves NEMA Type 4X rating

- Metal or nonmetal snap latches mount on a molded-in boss and they latch to molded-in keepers with no additional wall penetrations
- Padlock hasp comes standard on all snap latches

- Molded-in back panel bosses with brass inserts and additional center bosses for mounting din rail using #10 sheet metal screws



- Adjustable corner panel mounts for supporting the aluminum hinge front panel within the molded-in corner slots and provides either flush positioning with the box top or adjustability down in the box 1.5" deep

Summary of Product Options

Base Number Size	Size	Covers Available		Cover Attachment Options				Mount Options	
		Opaque Cover (none)	Clear Cover (CC)	Screw Cover (none)	Hinged Screw Cover (H)	Hinged Nonmetal Latch (NL)	Hinged Snap Latch (L)	Foot Mount (none)	Flange Mount (F)
AMP664	6x6x4	✓	✓	✓	✓	✓	✓	✓	✓
AMP864	8x6x4	✓	✓	✓	✓	✓	✓	✓	✓
AMP1084	10x8x4	✓	✓	✓	✓	✓	✓	✓	✓
AMP1206	12x10x6	✓	✓	✓	✓	✓	✓	✓	✓
AMP1426	14x12x6	✓	✓	✓	✓	✓	✓	✓	✓

Polyline™ Physical Properties

Enclosure Material Typical Properties	ASTM Test Method	Polycarbonate	Cover Seal-Closed Cell Neoprene
Impact Strength (ft - lb/in)	D 256	12	
Flexural Strength (psi)	D 790	13,000	
Tensile Strength (psi)	D 638	9,000	1,500
Compressive Strength (psi)	D 695	11,000	
Water Absorption (%)	D 570	0.25	5.00
Specific Gravity	D 792	1.20	1.23
Shrinkage in/in	D 955	0.007	
Hardness (Barcol-Rockwell M-Shore A)	D 2583	75	45
Elongation (%)	D 638	7.00	350
Dielectric Strength (kV/in)	D 149	732	
Arc Resistance (sec)	D 495	117	
Flammability	UL 94	V-0	V-0
Heat Deflection (°F at 264 psi)	D 648	266	
Service Temperature (°F)		-31°F to 266°F	-31°F to 225°F
K Factor, Thermal Conductivity (BTU/hr/ft ² /°F/in)	D1269E	1.25	
Thermal Expansion (10 ⁻⁶ in/in/°F)	D 696	36	
UV Rating	UL 746C	(f1)	

Certificate of Conformance to Industry Standards

Polyline™ Industrial enclosures manufactured by Allied Moulded Products, Inc. and bearing the UL® and CSA labels have been tested and certified to the following standards:

UL 50	Enclosures For Electrical Equipment
UL 50E	Enclosures For Electrical Equipment, Environmental Considerations
UL 508A	Industrial Control Panels
UL 746C	Polymeric Materials – Use In electrical Equipment Evaluations
CSA-C22 No. 14	Industrial Control Equipment
CAN/CSA-C22 No. 94	Special Purpose Enclosures

Allied Moulded Products AMP Series Polyline™ enclosures are certified:

UL types 1, 2, 3, 4, 4X, 12 and 13
 CSA types 1, 2, 3, 3R, 4, 4X, 12 and 13
 NEMA types 1, 2, 3, 3R, 4, 4X, 12 and 13

General Enclosure Specifying Guidelines

	Metal Enclosures			Nonmetal Enclosures			
	304 SS	316 SS	Painted CS	Polycarbonate	Compression FRP	Gelcoat FRP	Custom PVC
Cost	4	5	1	2	3	4	4
Weight	5	5	5	2	3	3	2
Impact (flex)	N/A	N/A	N/A	4	3	3	2
Flex Strength (rigidity)	N/A	N/A	N/A	13,000 psi	23,000 psi	33,400 psi	10,500 psi
MFG Process Type	Fabricated sheet	Fabricated sheet	Fabricated sheet	Injection Mold	Compression Mold	Open Mold	Fabricated sheet
Size Limits	Custom NL	Custom NL	Custom NL	Typically up to 18" Max	Typically up to 36" Max	Typically 36" up to 90"	Custom NL
Outdoor Corrosion (rating)	NEMA 4	NEMA 4X	NEMA 4	NEMA 4X	NEMA 4X	NEMA 4X	NEMA 4

Note: Those categories containing rating numbers are based on 1 as low and 5 as high.

Corrosion Resistance Guidelines

	Solvents	Alkalis	Mild Acids
<i>Examples</i>	<i>cleaning solvents carbon tetrachloride isopropyl alcohol perchlorethylene toluene xylene</i>	<i>ammonium chloride ammonium nitrate calcium hydroxide calcium hypochlorite magnesium hydroxide sodium hypochlorite</i>	<i>aluminum chloride boric acid calcium chloride potassium nitrate sea water sodium nitrate zinc chloride</i>
Recommended	304 SS 316 SS Compression Fiberglass Aluminum	304 SS 316 SS	Compression Fiberglass Gelcoat Fiberglass Polycarbonate 304 SS 316 SS
Satisfactory	Painted Carbon Steel Gelcoat Fiberglass	Polycarbonate Gelcoat Fiberglass Compression Fiberglass	Painted Carbon Steel
Limited Use	Polycarbonate	Painted Carbon Steel Aluminum	Aluminum

Note: This chart is only intended to be used as a general guideline for applying "typical" metal and nonmetal enclosures in chemical environments. Allied Moulded Products, Inc. recommends specific material compatibility tests for the most accurate application of enclosures. Please contact Allied Moulded customer service for specific requirements.

AMP Series - Polyline™ JIC Size Junction Boxes:

Lift-Off Screw Cover – Solid/Opaque



Application

- Designed to insulate and protect controls and components in both indoor and outdoor applications often found in industrial control panels, pump controls/waste water treatment, irrigation/water control, solar/wind, and chemical plants
- Light weight, impact resistant and good corrosion resistance for many industrial enclosure applications and a great alternative to metallic enclosures
- Protects from dirt, dust, and water

Standards

- UL Types 1, 2, 3, 4, 4X, 12 and 13
- CSA Types 1, 2, 3, 3R, 4, 4X, 12 and 13
- NEMA Types 1, 2, 3, 3R, 4, 4X, 12 and 13
- IEC 60529 Type IP66
- Enclosure flammability V-0 per UL 94
- Joint Industrial Council (JIC) sizing
- UV rating (f1) per UL 746C - UV stabilized for outdoor use
- Compliant with RoHS directive

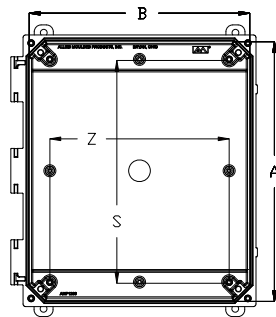
Construction

- Injection molded polycarbonate thermoplastic – opaque cover, enclosure base, feet and flanges
- Opaque cover, base, feet, and flanges – Light gray color (RAL 7035)
Note: flanged models are pre-assembled, foot models mounting hardware supplied in a bag
- Stainless steel captive cover screws and foot/flange mounting hardware
- Cover seal – closed cell neoprene cord encased in a continuous tongue and groove channel
- #10-32 threaded brass inserts are installed for optional back panel mounting

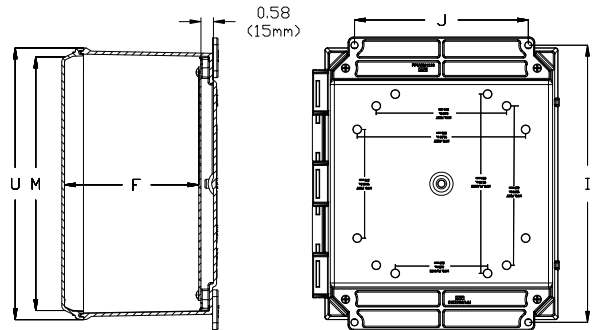
Accessories

- Optional back panels (white painted steel and aluminum) and hinged front panels (aluminum)
- Optional mounting hardware based on model number – foot or flange mount
- Additional molded-in mounting bosses available for directly mounting DIN rails

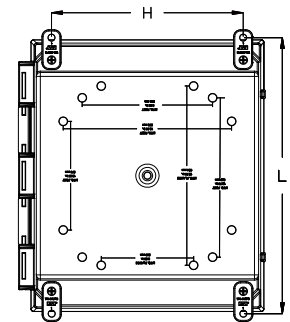
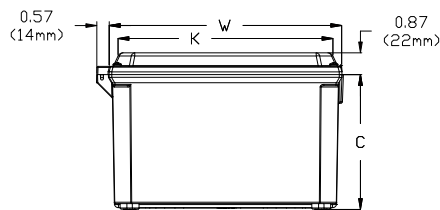
Screw Covers - Opaque



NOTE: COVER REMOVED FOR CLARITY



FLANGE MOUNT



FOOT MOUNT

	Box Size Inside Dimensions			Usable Depth	Panel Boss Centers		Flange Mount Centers		Foot Mount Centers		Cover Size				Nominal Wall Thickness
	A	B	C		F	S	Z	J	I	H	L	K	M	W	
AMP664(F)	5.93	6.16	3.98	4.18	4.25	4.25	4.00	6.88 6.75	4.91	6.75	5.89	5.67	6.72	6.50	0.14
	151mm	156mm	101mm	106mm	108mm	108mm	102mm	175mm 171mm	125mm	171mm	150mm	144mm	171mm	165mm	3.7mm
AMP864(F)	7.94	6.16	3.98	4.18	6.25	4.25	4.00	8.88 8.75	4.91	8.75	5.89	7.67	6.72	8.50	0.14
	202mm	156mm	101mm	106mm	159mm	108mm	102mm	226mm 222mm	125mm	222mm	150mm	195mm	171mm	216mm	3.7mm
AMP1084(F)	9.93	8.15	3.98	4.18	8.25	6.25	6.00	10.75	6.91	10.75	7.89	9.67	8.72	10.50	0.14
	252mm	207mm	101mm	106mm	210mm	159mm	152mm	273mm	175mm	273mm	200mm	246mm	221mm	267mm	3.7mm
AMP1206(F)	11.92	10.15	5.98	6.18	10.25	8.25	8.00	12.75	8.82	12.70	9.89	11.67	10.72	12.50	0.14
	303mm	258mm	152mm	157mm	260mm	210mm	203mm	324mm	224mm	323mm	251mm	296mm	272mm	318mm	3.7mm
AMP1426(F)	13.94	12.16	5.98	6.18	12.25	10.25	10.00	14.75 14.62	10.82	14.70	11.89	13.67	12.72	14.50	0.14
	354mm	309mm	152mm	157mm	311mm	260mm	254mm	375mm 371mm	275mm	373mm	302mm	347mm	323mm	368mm	3.7mm

Enclosure base part numbers come standard with 4 separately bagged feet (ex. AMP664)
 Add "F" to the part number for factory installed flanges (ex. AMP664F)
 "I" dimensions with multiple numbers indicate slotted holes
 All dimensions are in inches unless otherwise noted

AMP Series - Polyline™ JIC Size Junction Boxes:

Lift-Off Screw Cover – Clear Polycarbonate



Application

- Designed to insulate and protect controls and components in both indoor and outdoor applications often found in industrial control panels, pump controls/waste water treatment, irrigation/water control, solar/wind, and chemical plants
- Light weight, impact resistant and good corrosion resistance for many industrial enclosure applications and a great alternative to metallic enclosures
- Protects from dirt, dust, and water

Standards

- UL Types 1, 2, 3, 4, 4X, 12 and 13
- CSA Types 1, 2, 3, 3R, 4, 4X, 12 and 13
- NEMA Types 1, 2, 3, 3R, 4, 4X, 12 and 13
- IEC 60529 Type IP66
- Enclosure flammability V-0 per UL 94
- Joint Industrial Council (JIC) sizing
- UV rating (f1) per UL 746C - UV stabilized for outdoor use
- Compliant with RoHS directive

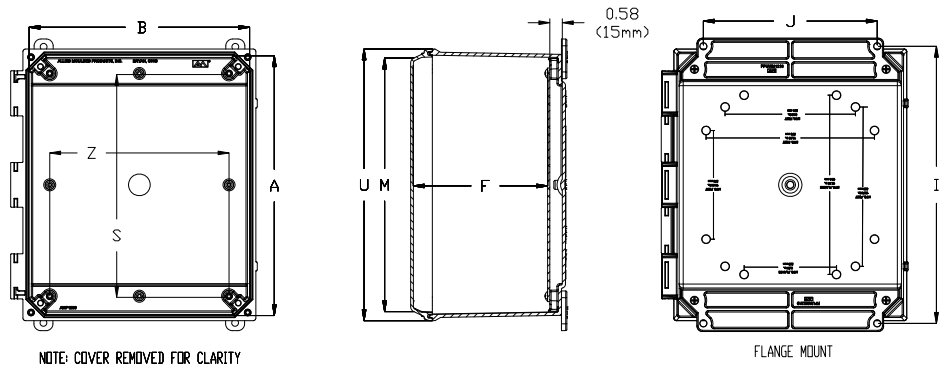
Construction

- Injection molded polycarbonate thermoplastic – clear cover, enclosure base, feet and flanges
- Enclosure base, feet, and flanges – Light gray color (RAL 7035)
Note: flanged models are pre-assembled, foot models mounting hardware supplied in a bag
- Stainless steel captive cover screws and foot/flange mounting hardware
- Cover seal – closed cell neoprene cord encased in a continuous tongue and groove channel
- #10-32 threaded brass inserts are installed for optional back panel mounting

Accessories

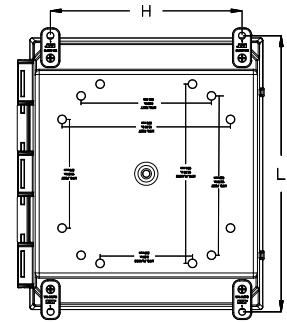
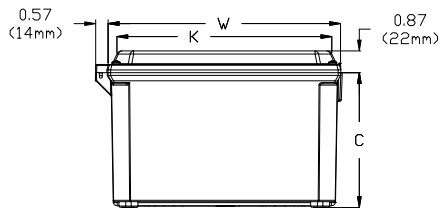
- Optional back panels (white painted steel and aluminum) and hinged front panels (aluminum)
- Optional mounting hardware based on model number – foot or flange mount
- Additional molded-in mounting bosses available for directly mounting DIN rails

Screw Covers - Clear Polycarbonate



NOTE: COVER REMOVED FOR CLARITY

FLANGE MOUNT



FOOT MOUNT

	Box Size Inside Dimensions			Usable Depth	Panel Boss Centers		Flange Mount Centers		Foot Mount Centers		Cover Size				Nominal Wall Thickness
	A	B	C		F	S	Z	J	I	H	L	K	M	W	
AMP664CC(F)	5.93	6.16	3.98	4.18	4.25	4.25	4.00	6.88 6.75	4.91	6.75	5.89	5.67	6.72	6.50	0.14
	151mm	156mm	101mm	106mm	108mm	108mm	102mm	175mm 171mm	125mm	171mm	150mm	144mm	171mm	165mm	3.7mm
AMP864CC(F)	7.94	6.16	3.98	4.18	6.25	4.25	4.00	8.88 8.75	4.91	8.75	5.89	7.67	6.72	8.50	0.14
	202mm	156mm	101mm	106mm	159mm	108mm	102mm	226mm 222mm	125mm	222mm	150mm	195mm	171mm	216mm	3.7mm
AMP1084CC(F)	9.93	8.15	3.98	4.18	8.25	6.25	6.00	10.75	6.91	10.75	7.89	9.67	8.72	10.50	0.14
	252mm	207mm	101mm	106mm	210mm	159mm	152mm	273mm	175mm	273mm	200mm	246mm	221mm	267mm	3.7mm
AMP1206CC(F)	11.92	10.15	5.98	6.18	10.25	8.25	8.00	12.75	8.82	12.70	9.89	11.67	10.72	12.50	0.14
	303mm	258mm	152mm	157mm	260mm	210mm	203mm	324mm	224mm	323mm	251mm	296mm	272mm	318mm	3.7mm
AMP1426CC(F)	13.94	12.16	5.98	6.18	12.25	10.25	10.00	14.75 14.62	10.82	14.70	11.89	13.67	12.72	14.50	0.14
	354mm	309mm	152mm	157mm	311mm	260mm	254mm	375mm 371mm	275mm	373mm	302mm	347mm	323mm	368mm	3.7mm

Enclosure base part numbers come standard with 4 separately bagged feet (ex. AMP664CC)
 Add "F" to the part number for factory installed flanges (ex. AMP664CCF)
 "I" dimensions with multiple numbers indicate slotted holes
 All dimensions are in inches unless otherwise noted

AMP Series - Polyline™ JIC Size Junction Boxes:

Hinged Screw Cover – Solid/Opaque



Application

- Designed to insulate and protect controls and components in both indoor and outdoor applications often found in industrial control panels, pump controls/waste water treatment, irrigation/water control, solar/wind, and chemical plants
- Light weight, impact resistant and good corrosion resistance for many industrial enclosure applications and a great alternative to metallic enclosures
- Protects from dirt, dust, and water

Standards

- UL Types 1, 2, 3, 4, 4X, 12 and 13
- CSA Types 1, 2, 3, 3R, 4, 4X, 12 and 13
- NEMA Types 1, 2, 3, 3R, 4, 4X, 12 and 13
- IEC 60529 Type IP66
- Enclosure flammability V-0 per UL 94
- Joint Industrial Council (JIC) sizing
- UV rating (f1) per UL 746C - UV stabilized for outdoor use
- Compliant with RoHS directive

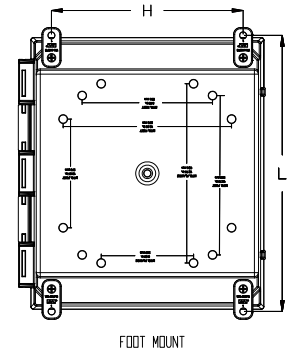
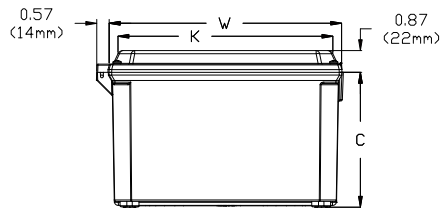
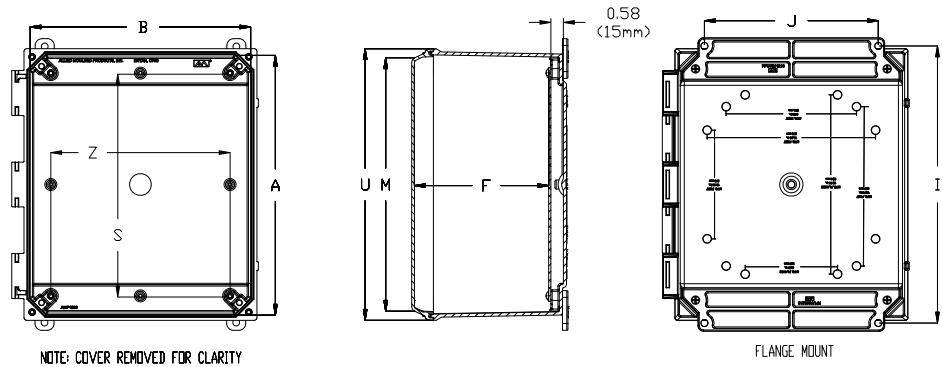
Construction

- Injection molded polycarbonate thermoplastic – opaque cover, enclosure base, feet and flanges
- Opaque cover, base, feet, and flanges – Light gray color (RAL 7035)
Note: flanged models are pre-assembled, foot models mounting hardware supplied in a bag
- Stainless steel captive cover screws, hinge pin and foot/flange mounting hardware
- Cover seal – closed cell neoprene cord encased in a continuous tongue and groove channel
- #10-32 threaded brass inserts are installed for optional back panel mounting

Accessories

- Optional back panels (white painted steel and aluminum) and hinged front panels (aluminum)
- Optional mounting hardware based on model number – foot or flange mount
- Additional molded-in mounting bosses available for directly mounting DIN rails

Hinged Screw Covers - Opaque



	Box Size Inside Dimensions			Usable Depth	Panel Boss Centers			Flange Mount Centers		Foot Mount Centers		Cover Size				Nominal Wall Thickness
	A	B	C		F	S	Z	J	I	H	L	K	M	W	U	
AMP664H(F)	5.93	6.16	3.98	4.18	4.25	4.25	4.00	6.88 6.75	4.91	6.75	5.89	5.67	6.72	6.50	0.14	
	151mm	156mm	101mm	106mm	108mm	108mm	102mm	175mm 171mm	125mm	171mm	150mm	144mm	171mm	165mm	3.7mm	
AMP864H(F)	7.94	6.16	3.98	4.18	6.25	4.25	4.00	8.88 8.75	4.91	8.75	5.89	7.67	6.72	8.50	0.14	
	202mm	156mm	101mm	106mm	159mm	108mm	102mm	226mm 222mm	125mm	222mm	150mm	195mm	171mm	216mm	3.7mm	
AMP1084H(F)	9.93	8.15	3.98	4.18	8.25	6.25	6.00	10.75	6.91	10.75	7.89	9.67	8.72	10.50	0.14	
	252mm	207mm	101mm	106mm	210mm	159mm	152mm	273mm	175mm	273mm	200mm	246mm	221mm	267mm	3.7mm	
AMP1206H(F)	11.92	10.15	5.98	6.18	10.25	8.25	8.00	12.75	8.82	12.70	9.89	11.67	10.72	12.50	0.14	
	303mm	258mm	152mm	157mm	260mm	210mm	203mm	324mm	224mm	323mm	251mm	296mm	272mm	318mm	3.7mm	
AMP1426H(F)	13.94	12.16	5.98	6.18	12.25	10.25	10.00	14.75 14.62	10.82	14.70	11.89	13.67	12.72	14.50	0.14	
	354mm	309mm	152mm	157mm	311mm	260mm	254mm	375mm 371mm	275mm	373mm	302mm	347mm	323mm	368mm	3.7mm	

Enclosure base part numbers come standard with 4 separately bagged feet (ex. AMP664H)
 Add "F" to the part number for factory installed flanges (ex. AMP664HF)
 "I" dimensions with multiple numbers indicate slotted holes
 All dimensions are in inches unless otherwise noted

AMP Series - Polyline™ JIC Size Junction Boxes:

Hinged Screw Cover – Clear Polycarbonate



Application

- Designed to insulate and protect controls and components in both indoor and outdoor applications often found in industrial control panels, pump controls/waste water treatment, irrigation/water control, solar/wind, and chemical plants
- Light weight, impact resistant and good corrosion resistance for many industrial enclosure applications and a great alternative to metallic enclosures
- Protects from dirt, dust, and water

Standards

- UL Types 1, 2, 3, 4, 4X, 12 and 13
- CSA Types 1, 2, 3, 3R, 4, 4X, 12 and 13
- NEMA Types 1, 2, 3, 3R, 4, 4X, 12 and 13
- IEC 60529 Type IP66
- Enclosure flammability V-0 per UL 94
- Joint Industrial Council (JIC) sizing
- UV rating (f1) per UL 746C - UV stabilized for outdoor use
- Compliant with RoHS directive

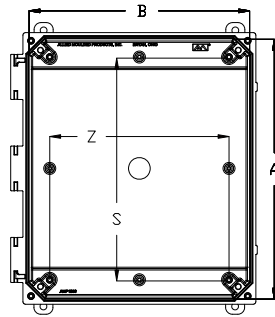
Construction

- Injection molded polycarbonate thermoplastic – clear cover, enclosure base, feet and flanges
- Enclosure base, feet, and flanges – Light gray color (RAL 7035)
Note: flanged models are pre-assembled, foot models mounting hardware supplied in a bag
- Stainless steel captive cover screws, hinge pin and foot/flange mounting hardware
- Cover seal – closed cell neoprene cord encased in a continuous tongue and groove channel
- #10-32 threaded brass inserts are installed for optional back panel mounting

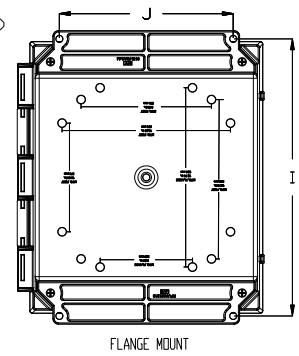
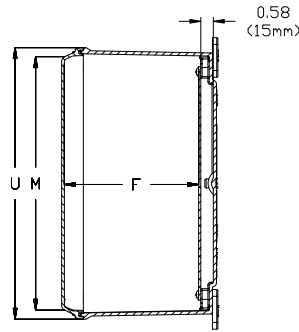
Accessories

- Optional back panels (white painted steel and aluminum) and hinged front panels (aluminum)
- Optional mounting hardware based on model number – foot or flange mount
- Additional molded-in mounting bosses available for directly mounting DIN rails

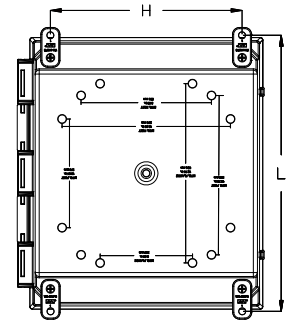
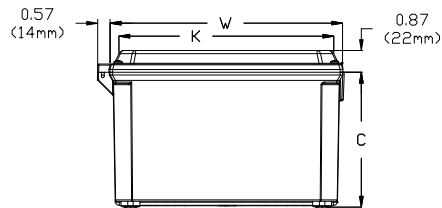
Hinged Screw Covers - Clear Polycarbonate



NOTE: COVER REMOVED FOR CLARITY



FLANGE MOUNT



FOOT MOUNT

	Box Size Inside Dimensions			Usable Depth	Panel Boss Centers		Flange Mount Centers		Foot Mount Centers		Cover Size				Nominal Wall Thickness
	A	B	C		F	S	Z	J	I	H	L	K	M	W	
AMP664CCH(F)	5.93	6.16	3.98	4.18	4.25	4.25	4.00	6.88 6.75	4.91	6.75	5.89	5.67	6.72	6.50	0.14
	151mm	156mm	101mm	106mm	108mm	108mm	102mm	175mm 171mm	125mm	171mm	150mm	144mm	171mm	165mm	3.7mm
AMP864CCH(F)	7.94	6.16	3.98	4.18	6.25	4.25	4.00	8.88 8.75	4.91	8.75	5.89	7.67	6.72	8.50	0.14
	202mm	156mm	101mm	106mm	159mm	108mm	102mm	226mm 222mm	125mm	222mm	150mm	195mm	171mm	216mm	3.7mm
AMP1084CCH(F)	9.93	8.15	3.98	4.18	8.25	6.25	6.00	10.75	6.91	10.75	7.89	9.67	8.72	10.50	0.14
	252mm	207mm	101mm	106mm	210mm	159mm	152mm	273mm	175mm	273mm	200mm	246mm	221mm	267mm	3.7mm
AMP1206CCH(F)	11.92	10.15	5.98	6.18	10.25	8.25	8.00	12.75	8.82	12.70	9.89	11.67	10.72	12.50	0.14
	303mm	258mm	152mm	157mm	260mm	210mm	203mm	324mm	224mm	323mm	251mm	296mm	272mm	318mm	3.7mm
AMP1426CCH(F)	13.94	12.16	5.98	6.18	12.25	10.25	10.00	14.75 14.62	10.82	14.70	11.89	13.67	12.72	14.50	0.14
	354mm	309mm	152mm	157mm	311mm	260mm	254mm	375mm 371mm	275mm	373mm	302mm	347mm	323mm	368mm	3.7mm

Enclosure base part numbers come standard with 4 separately bagged feet (ex. AMP664CCH)
 Add "F" to the part number for factory installed flanges (ex. AMP664CCHF)
 "I" dimensions with multiple numbers indicate slotted holes
 All dimensions are in inches unless otherwise noted

AMP Series - Polyline™ JIC Size Junction Boxes:

**Nonmetal Snap Latch Hinged Cover
– Solid/Opaque**



Application

- Designed to insulate and protect controls and components in both indoor and outdoor applications often found in industrial control panels, pump controls/waste water treatment, irrigation/water control, solar/wind, and chemical plants
- Light weight, impact resistant and good corrosion resistance for many industrial enclosure applications and a great alternative to metallic enclosures
- Protects from dirt, dust, and water

Standards

- UL Types 1, 2, 3, 4, 4X, 12 and 13
- CSA Types 1, 2, 3, 3R, 4, 4X, 12 and 13
- NEMA Types 1, 2, 3, 3R, 4, 4X, 12 and 13
- IEC 60529 Type IP66
- Enclosure flammability V-0 per UL 94
- Joint Industrial Council (JIC) sizing
- UV rating (f1) per UL 746C - UV stabilized for outdoor use
- Compliant with RoHS directive

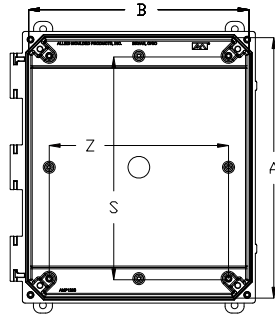
Construction

- Injection molded polycarbonate thermoplastic – opaque cover, enclosure base, snap latches, feet and flanges
- Opaque cover, base, padlockable snap latches, feet, and flanges – Light gray color (RAL 7035) *Note: flanged models are pre-assembled, foot models mounting hardware supplied in a bag*
- Stainless steel, hinge pin and foot/flange mounting hardware
- Cover seal – closed cell neoprene cord encased in a continuous tongue and groove channel
- #10-32 threaded brass inserts are installed for optional back panel mounting

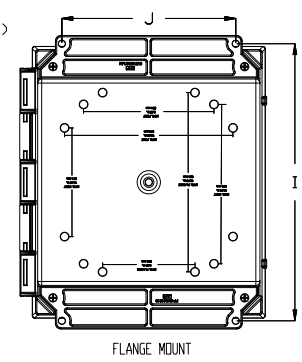
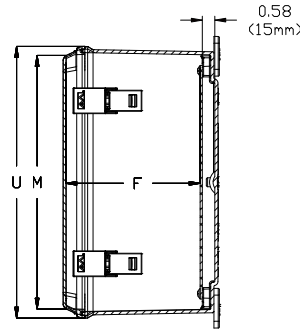
Accessories

- Optional back panels (white painted steel and aluminum) and hinged front panels (aluminum)
- Optional mounting hardware based on model number – foot or flange mount
- Additional molded-in mounting bosses available for directly mounting DIN rails

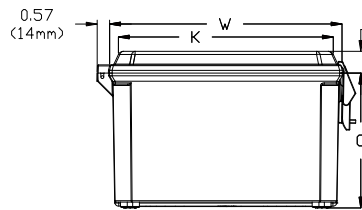
Nonmetal Latch Covers - Opaque



NOTE: COVER REMOVED FOR CLARITY

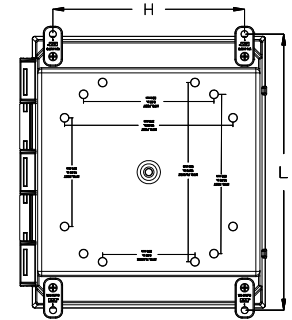
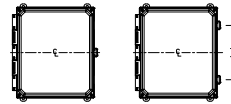


FLANGE MOUNT



LATCH LOCATIONS

FOR USE ON 6x6x4
 FOR USE ON 12x10x6 D=7.50 (191mm)
 8x6x4
 14x12x6 D=8.00 (203mm)
 10x8x4



FOOT MOUNT

	Box Size Inside Dimensions			Usable Depth	Panel Boss Centers			Flange Mount Centers		Foot Mount Centers		Cover Size				Nominal Wall Thickness
	A	B	C		F	S	Z	J	I	H	L	K	M	W	U	
AMP664NL(F)	5.93	6.16	3.98	4.18	4.25	4.25	4.00	6.88 6.75	4.91	6.75	5.89	5.67	6.72	6.50	0.14	
	151mm	156mm	101mm	106mm	108mm	108mm	102mm	175mm 171mm	125mm	171mm	150mm	144mm	171mm	165mm	3.7mm	
AMP864NL(F)	7.94	6.16	3.98	4.18	6.25	4.25	4.00	8.88 8.75	4.91	8.75	5.89	7.67	6.72	8.50	0.14	
	202mm	156mm	101mm	106mm	159mm	108mm	102mm	226mm 222mm	125mm	222mm	150mm	195mm	171mm	216mm	3.7mm	
AMP1084NL(F)	9.93	8.15	3.98	4.18	8.25	6.25	6.00	10.75	6.91	10.75	7.89	9.67	8.72	10.50	0.14	
	252mm	207mm	101mm	106mm	210mm	159mm	152mm	273mm	175mm	273mm	200mm	246mm	221mm	267mm	3.7mm	
AMP1206NL(F)	11.92	10.15	5.98	6.18	10.25	8.25	8.00	12.75	8.82	12.70	9.89	11.67	10.72	12.50	0.14	
	303mm	258mm	152mm	157mm	260mm	210mm	203mm	324mm	224mm	323mm	251mm	296mm	272mm	318mm	3.7mm	
AMP1426NL(F)	13.94	12.16	5.98	6.18	12.25	10.25	10.00	14.75 14.62	10.82	14.70	11.89	13.67	12.72	14.50	0.14	
	354mm	309mm	152mm	157mm	311mm	260mm	254mm	375mm 371mm	275mm	373mm	302mm	347mm	323mm	368mm	3.7mm	

Enclosure base part numbers come standard with 4 separately bagged feet (ex. AMP664NL)
 Add "F" to the part number for factory installed flanges (ex. AMP664NLF)
 "I" dimensions with multiple numbers indicate slotted holes
 All dimensions are in inches unless otherwise noted

AMP Series - Polyline™ JIC Size Junction Boxes:

**Nonmetal Snap Latch Hinged Cover
– Clear Polycarbonate**



Application

- Designed to insulate and protect controls and components in both indoor and outdoor applications often found in industrial control panels, pump controls/waste water treatment, irrigation/water control, solar/wind, and chemical plants
- Light weight, impact resistant and good corrosion resistance for many industrial enclosure applications and a great alternative to metallic enclosures
- Protects from dirt, dust, and water

Standards

- UL Types 1, 2, 3, 4, 4X, 12 and 13
- CSA Types 1, 2, 3, 3R, 4, 4X, 12 and 13
- NEMA Types 1, 2, 3, 3R, 4, 4X, 12 and 13
- IEC 60529 Type IP66
- Enclosure flammability V-0 per UL 94
- Joint Industrial Council (JIC) sizing
- UV rating (f1) per UL 746C - UV stabilized for outdoor use
- Compliant with RoHS directive

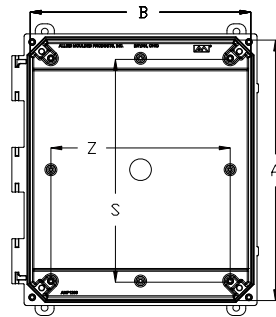
Construction

- Injection molded polycarbonate thermoplastic – clear cover, enclosure base, snap latches feet and flanges
- Enclosure base, padlockable snap latches, feet, and flanges – Light gray color (RAL 7035) *Note: flanged models are pre-assembled, foot models mounting hardware supplied in a bag*
- Stainless steel, hinge pin and foot/flange mounting hardware
- Cover seal – closed cell neoprene cord encased in a continuous tongue and groove channel
- #10-32 threaded brass inserts are installed for optional back panel mounting

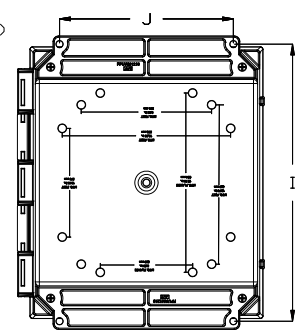
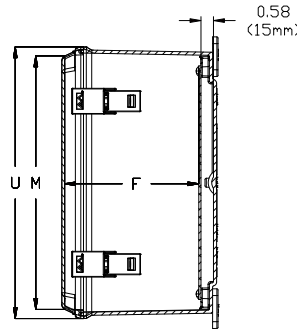
Accessories

- Optional back panels (white painted steel and aluminum) and hinged front panels (aluminum)
- Optional mounting hardware based on model number – foot or flange mount
- Additional molded-in mounting bosses available for directly mounting DIN rails

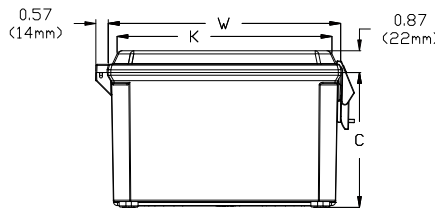
Nonmetal Latch Covers - Clear Polycarbonate



NOTE: COVER REMOVED FOR CLARITY



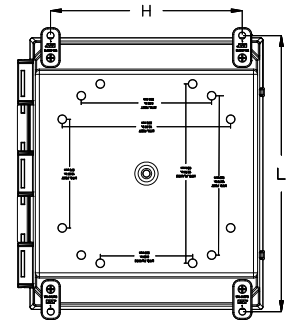
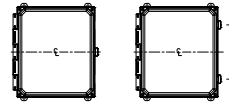
FLANGE MOUNT



LATCH LOCATIONS

FOR USE ON 6x6x4
8x6x4
10x8x4

FOR USE ON 12x10x6 D=7.50 (191mm)
14x12x6 D=8.00 (203mm)



FOOT MOUNT

	Box Size Inside Dimensions			Usable Depth	Panel Boss Centers			Flange Mount Centers		Foot Mount Centers		Cover Size				Nominal Wall Thickness
	A	B	C		F	S	Z	J	I	H	L	K	M	W	U	
AMP664CCNL(F)	5.93	6.16	3.98	4.18	4.25	4.25	4.00	6.88 6.75	4.91	6.75	5.89	5.67	6.72	6.50	0.14	
	151mm	156mm	101mm	106mm	108mm	108mm	102mm	175mm 171mm	125mm	171mm	150mm	144mm	171mm	165mm	3.7mm	
AMP864CCNL(F)	7.94	6.16	3.98	4.18	6.25	4.25	4.00	8.88 8.75	4.91	8.75	5.89	7.67	6.72	8.50	0.14	
	202mm	156mm	101mm	106mm	159mm	108mm	102mm	226mm 222mm	125mm	222mm	150mm	195mm	171mm	216mm	3.7mm	
AMP1084NL(F)CC	9.93	8.15	3.98	4.18	8.25	6.25	6.00	10.75	6.91	10.75	7.89	9.67	8.72	10.50	0.14	
	252mm	207mm	101mm	106mm	210mm	159mm	152mm	273mm	175mm	273mm	200mm	246mm	221mm	267mm	3.7mm	
AMP1206CCNL(F)	11.92	10.15	5.98	6.18	10.25	8.25	8.00	12.75	8.82	12.70	9.89	11.67	10.72	12.50	0.14	
	303mm	258mm	152mm	157mm	260mm	210mm	203mm	324mm	224mm	323mm	251mm	296mm	272mm	318mm	3.7mm	
AMP1426CCNL(F)	13.94	12.16	5.98	6.18	12.25	10.25	10.00	14.75 14.62	10.82	14.70	11.89	13.67	12.72	14.50	0.14	
	354mm	309mm	152mm	157mm	311mm	260mm	254mm	375mm 371mm	275mm	373mm	302mm	347mm	323mm	368mm	3.7mm	

Enclosure base part numbers come standard with 4 separately bagged feet (ex. AMP664CCNL)
 Add "F" to the part number for factory installed flanges (ex. AMP664CCNL(F))
 "I" dimensions with multiple numbers indicate slotted holes
 All dimensions are in inches unless otherwise noted

AMP Series - Polyline™ JIC Size Junction Boxes:

**Metal Snap Latch Hinged Cover
– Solid/Opaque**



Application

- Designed to insulate and protect controls and components in both indoor and outdoor applications often found in industrial control panels, pump controls/waste water treatment, irrigation/water control, solar/wind, and chemical plants
- Light weight, impact resistant and good corrosion resistance for many industrial enclosure applications and a great alternative to metallic enclosures
- Protects from dirt, dust, and water

Standards

- UL Types 1, 2, 3, 4, 4X, 12 and 13
- CSA Types 1, 2, 3, 3R, 4, 4X, 12 and 13
- NEMA Types 1, 2, 3, 3R, 4, 4X, 12 and 13
- IEC 60529 Type IP66
- Enclosure flammability V-0 per UL 94
- Joint Industrial Council (JIC) sizing
- UV rating (f1) per UL 746C - UV stabilized for outdoor use
- Compliant with RoHS directive

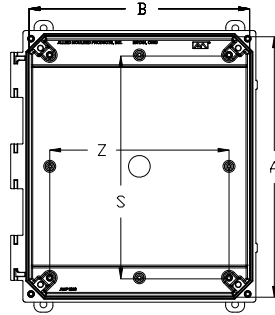
Construction

- Injection molded polycarbonate thermoplastic – opaque cover, enclosure base, feet and flanges
- Opaque cover, base, feet, and flanges – Light gray color (RAL 7035)
Note: flanged models are pre-assembled, foot models mounting hardware supplied in a bag
- Stainless steel padlockable snap latches, hinge pin and foot/flange mounting hardware
- Cover seal – closed cell neoprene cord encased in a continuous tongue and groove channel
- #10-32 threaded brass inserts are installed for optional back panel mounting

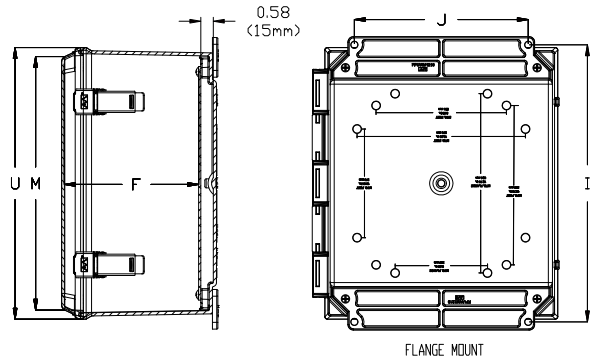
Accessories

- Optional back panels (white painted steel and aluminum) and hinged front panels (aluminum)
- Optional mounting hardware based on model number – foot or flange mount
- Additional molded-in mounting bosses available for directly mounting DIN rails

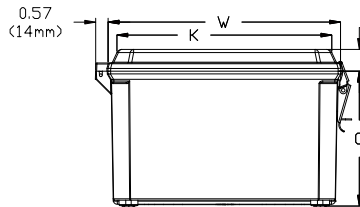
Metal Latch Covers - Opaque



NOTE: COVER REMOVED FOR CLARITY



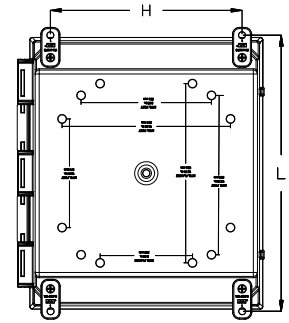
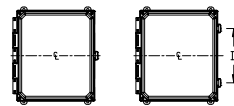
FLANGE MOUNT



LATCH LOCATIONS

FOR USE ON 6x6x4
8x6x4
10x8x4

FOR USE ON 12x10x6 D=7.50 (191mm)
14x12x6 D=8.00 (203mm)



FOOT MOUNT

	Box Size Inside Dimensions			Usable Depth	Panel Boss Centers		Flange Mount Centers		Foot Mount Centers		Cover Size				Nominal Wall Thickness
	A	B	C		F	S	Z	J	I	H	L	K	M	W	
AMP664L(F)	5.93	6.16	3.98	4.18	4.25	4.25	4.00	6.88 6.75	4.91	6.75	5.89	5.67	6.72	6.50	0.14
	151mm	156mm	101mm	106mm	108mm	108mm	102mm	175mm 171mm	125mm	171mm	150mm	144mm	171mm	165mm	3.7mm
AMP864L(F)	7.94	6.16	3.98	4.18	6.25	4.25	4.00	8.88 8.75	4.91	8.75	5.89	7.67	6.72	8.50	0.14
	202mm	156mm	101mm	106mm	159mm	108mm	102mm	226mm 222mm	125mm	222mm	150mm	195mm	171mm	216mm	3.7mm
AMP1084L(F)	9.93	8.15	3.98	4.18	8.25	6.25	6.00	10.75	6.91	10.75	7.89	9.67	8.72	10.50	0.14
	252mm	207mm	101mm	106mm	210mm	159mm	152mm	273mm	175mm	273mm	200mm	246mm	221mm	267mm	3.7mm
AMP1206L(F)	11.92	10.15	5.98	6.18	10.25	8.25	8.00	12.75	8.82	12.70	9.89	11.67	10.72	12.50	0.14
	303mm	258mm	152mm	157mm	260mm	210mm	203mm	324mm	224mm	323mm	251mm	296mm	272mm	318mm	3.7mm
AMP1426L(F)	13.94	12.16	5.98	6.18	12.25	10.25	10.00	14.75 14.62	10.82	14.70	11.89	13.67	12.72	14.50	0.14
	354mm	309mm	152mm	157mm	311mm	260mm	254mm	375mm 371mm	275mm	373mm	302mm	347mm	323mm	368mm	3.7mm

Enclosure base part numbers come standard with 4 separately bagged feet (ex. AMP664L)
Add "F" to the part number for factory installed flanges (ex. AMP664LF)
"I" dimensions with multiple numbers indicate slotted holes
All dimensions are in inches unless otherwise noted

AMP Series - Polyline™ JIC Size Junction Boxes:

**Metal Snap Latch Hinged Cover
– Clear Polycarbonate**



Application

- Designed to insulate and protect controls and components in both indoor and outdoor applications often found in industrial control panels, pump controls/waste water treatment, irrigation/water control, solar/wind, and chemical plants
- Light weight, impact resistant and good corrosion resistance for many industrial enclosure applications and a great alternative to metallic enclosures
- Protects from dirt, dust, and water

Standards

- UL Types 1, 2, 3, 4, 4X, 12 and 13
- CSA Types 1, 2, 3, 3R, 4, 4X, 12 and 13
- NEMA Types 1, 2, 3, 3R, 4, 4X, 12 and 13
- IEC 60529 Type IP66
- Enclosure flammability V-0 per UL 94
- Joint Industrial Council (JIC) sizing
- UV rating (f1) per UL 746C - UV stabilized for outdoor use
- Compliant with RoHS directive

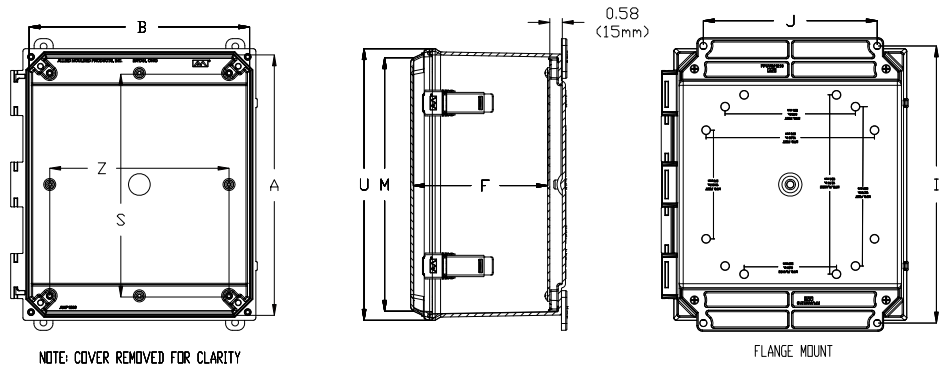
Construction

- Injection molded polycarbonate thermoplastic – clear cover, enclosure base, feet and flanges
- Enclosure base, feet, and flanges – Light gray color (RAL 7035)
Note: flanged models are pre-assembled, foot models mounting hardware supplied in a bag
- Stainless steel padlockable snap latches, hinge pin and foot/flange mounting hardware
- Cover seal – closed cell neoprene cord encased in a continuous tongue and groove channel
- #10-32 threaded brass inserts are installed for optional back panel mounting

Accessories

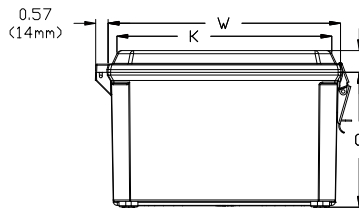
- Optional back panels (white painted steel and aluminum) and hinged front panels (aluminum)
- Optional mounting hardware based on model number – foot or flange mount
- Additional molded-in mounting bosses available for directly mounting DIN rails

Metal Latch Covers - Clear Polycarbonate



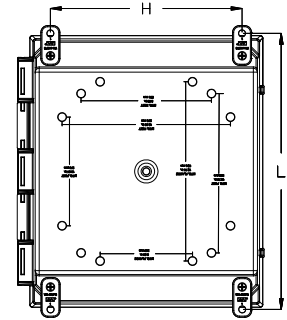
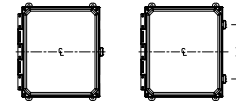
NOTE: COVER REMOVED FOR CLARITY

FLANGE MOUNT



LATCH LOCATIONS

FOR USE ON 6x6x4
12x10x6 D=7.50 (191mm)
8x6x4
14x12x6 D=8.00 (203mm)
10x8x4



FOOT MOUNT

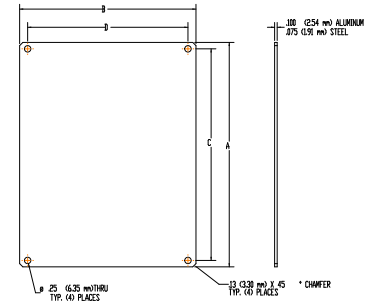
	Box Size Inside Dimensions			Usable Depth	Panel Boss Centers			Flange Mount Centers		Foot Mount Centers		Cover Size				Nominal Wall Thickness
	A	B	C		F	S	Z	J	I	H	L	K	M	W	U	
AMP664CCL(F)	5.93	6.16	3.98	4.18	4.25	4.25	4.00	6.88 6.75	4.91	6.75	5.89	5.67	6.72	6.50	0.14	
	151mm	156mm	101mm	106mm	108mm	108mm	102mm	175mm 171mm	125mm	171mm	150mm	144mm	171mm	165mm	3.7mm	
AMP864CCL(F)	7.94	6.16	3.98	4.18	6.25	4.25	4.00	8.88 8.75	4.91	8.75	5.89	7.67	6.72	8.50	0.14	
	202mm	156mm	101mm	106mm	159mm	108mm	102mm	226mm 222mm	125mm	222mm	150mm	195mm	171mm	216mm	3.7mm	
AMP1084CCL(F)	9.93	8.15	3.98	4.18	8.25	6.25	6.00	10.75	6.91	10.75	7.89	9.67	8.72	10.50	0.14	
	252mm	207mm	101mm	106mm	210mm	159mm	152mm	273mm	175mm	273mm	200mm	246mm	221mm	267mm	3.7mm	
AMP1206CCL(F)	11.92	10.15	5.98	6.18	10.25	8.25	8.00	12.75	8.82	12.70	9.89	11.67	10.72	12.50	0.14	
	303mm	258mm	152mm	157mm	260mm	210mm	203mm	324mm	224mm	323mm	251mm	296mm	272mm	318mm	3.7mm	
AMP1426CCL(F)	13.94	12.16	5.98	6.18	12.25	10.25	10.00	14.75 14.62	10.82	14.70	11.89	13.67	12.72	14.50	0.14	
	354mm	309mm	152mm	157mm	311mm	260mm	254mm	375mm 371mm	275mm	373mm	302mm	347mm	323mm	368mm	3.7mm	

Enclosure base part numbers come standard with 4 separately bagged feet (ex. AMP664CCL)
Add "F" to the part number for factory installed flanges (ex. AMP664CCLF)
"I" dimensions with multiple numbers indicate slotted holes
All dimensions are in inches unless otherwise noted

Polyline™ Series Optional Back Panels: “PL” Painted White Carbon Steel or “PLA” Aluminum

STEEL (P/N)	ALUM (P/N)	A	B	C	D
PL66	PLA66	4.81 122 mm	4.81 122 mm	4.25 108 mm	4.25 108 mm
PL86	PLA86	6.75 171 mm	4.88 124 mm	6.25 159 mm	4.25 108 mm
PL108	PLA108	8.75 222 mm	6.88 175 mm	8.25 210 mm	6.25 159 mm
PL120	PLA120	10.75 273 mm	8.88 226 mm	10.25 260 mm	8.25 210 mm
PL142	PLA142	12.75 324 mm	10.88 276 mm	12.25 311 mm	10.25 260 mm

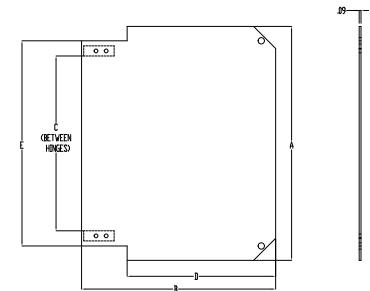
All dimensions are in inches unless otherwise noted.



Polyline™ Series Optional Hinged Front Panels: “HFPP” aluminum panel systems

HFPP Kit (P/N)	Enclosure Base (P/N)	A	B	C	D	E
HFPP66	AMP664	5.44 138 mm	5.61 142 mm	2.64 67 mm	3.36 85 mm	4.19 106 mm
HFPP86	AMP864	7.44 189 mm	5.61 142 mm	4.64 118 mm	3.36 85 mm	6.19 157 mm
HFPP108	AMP1084	9.43 240 mm	7.63 194 mm	6.63 168 mm	5.38 137 mm	8.18 208 mm
HFPP120	AMP1206	11.55 293 mm	9.58 243 mm	8.63 219 mm	7.33 186 mm	10.13 257 mm
HFPP142	AMP1426	13.10 333 mm	11.25 286 mm	10.61 269 mm	9.00 229 mm	11.75 298 mm

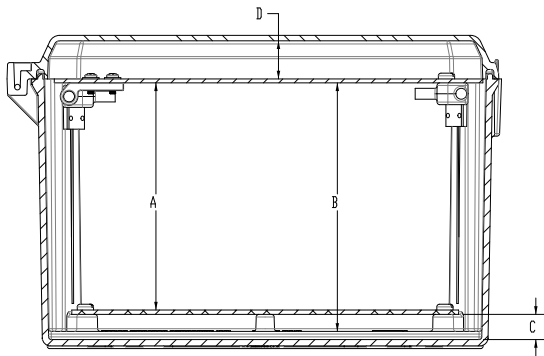
All dimensions are in inches unless otherwise noted.



Polyline™ Series Hinged Front Panels Installed:

	Enclosure Used With	Optional Aluminum Back Panel	Optional Aluminum Back Panel	Optional Steel Back Panel	Optional Steel Back Panel	Without Optional Back Panel	Without Optional Back Panel	C=BOTTOM to Panel Mount Bosses	D=Hinged Front Panel to Inside Cover	D=Hinged Front Panel to Inside Cover
HFPP Kit (P/N)	(base P/N)	A (MAX.)	A (MIN.)	A(MAX.)	A(MIN.)	B(MAX.)	B(MIN.)		(MIN.)	(MAX.)
HFPP66	AMP664	3.21 82 mm	1.71 43 mm	3.24 82 mm	1.74 44 mm	3.89 99 mm	2.39 61 mm	.58 15 mm	.88 22 mm	2.38 60 mm
HFPP86	AMP864	3.21 82 mm	1.71 43 mm	3.24 82 mm	1.74 44 mm	3.89 99 mm	2.39 61 mm	.58 15 mm	.88 22 mm	2.38 60 mm
HFPP108	AMP1084	3.21 82 mm	1.71 43 mm	3.24 82 mm	1.74 44 mm	3.89 99 mm	2.39 61 mm	.58 15 mm	.88 22 mm	2.38 60 mm
HFPP120	AMP1206	5.21 132 mm	3.71 94 mm	5.24 133 mm	3.74 95 mm	5.89 150 mm	4.39 112 mm	.58 15 mm	.88 22 mm	2.38 60 mm
HFPP142	AMP1426	5.21 132 mm	3.71 94 mm	5.24 133 mm	3.74 95 mm	5.89 150 mm	4.39 112 mm	.58 15 mm	.88 22 mm	2.38 60 mm

All dimensions are in inches unless otherwise noted.



POLYLINE™

From Allied Moulded Products 



Allied Moulded Products, Inc. manufactures a complete line of corrosion and UV resistant NEMA Type 4X nonmetallic enclosures for indoor or outdoor industrial applications. Allied Moulded enclosures are manufactured of engineering grades of thermoset and thermoplastics and offer all the advantages of nonmetallic materials including: UL® (listed), RoHS compliance, increased strength, reduced weight, corrosion resistance, non-conductivity, UV resistance and ease of installation.

Allied Moulded Brand Names: Ultraline®, Ultraguard®, Polyline™

Enclosure Families and Size Ranges:

Small Junction Boxes: 7x4x3 through 9x4x3

JIC Series: 6x6x4 through 20x16x10

Control Series: 24x24x8 through 30x24x10

Empire Series: 36x30x12 through 72x49x25

Available Through:



**ALLIED
MOULDED
PRODUCTS, Inc.**

222 North Union St.
Bryan, OH 43506

Phone: (800) 722-2679
Fax: (800) 237-7269

www.alliedmoulded.com

7/11