



Front dimensions:  $\varnothing$  36 mm  
Panel cut-out:  $\varnothing$  30.5 mm  
Front bezel height: 2.7 mm  
Travel: 6 mm





# KOMBITAST-R-JUWEL




01 Pushbutton Heads	page 292	07 Pilot Lights	page 300
02 Emergency Stop Buttons	page 294	<b>Contact blocks/Lampholders</b>	page 414
03 Knob Set for Potentiometers	page 296		
04 Selector Heads	page 296		
05 Toggle Heads	page 297		
06 Key Actuators	page 298		



 degree of protection

 illuminating option

 operating travel

 labelling option



DT...  
Modular Contact Blocks  
spring-clamp connection  
**page 546**



DS...  
Modular Contact Blocks  
push-in connection  
**page 540**



MT...  
Modular Contact Blocks  
screw connection  
**page 530**



ET...  
Contact Blocks  
screw connection  
**page 524**



ASI...  
Contact Blocks  
for AS-Interface  
Safety @ Work  
**page 564**



DMF...  
Battery-free  
Transmitter Module  
**page 570**

**When combining the DT... contact blocks with key, selector and toggle heads,  
please add ...\_497 to the actuator type reference!**

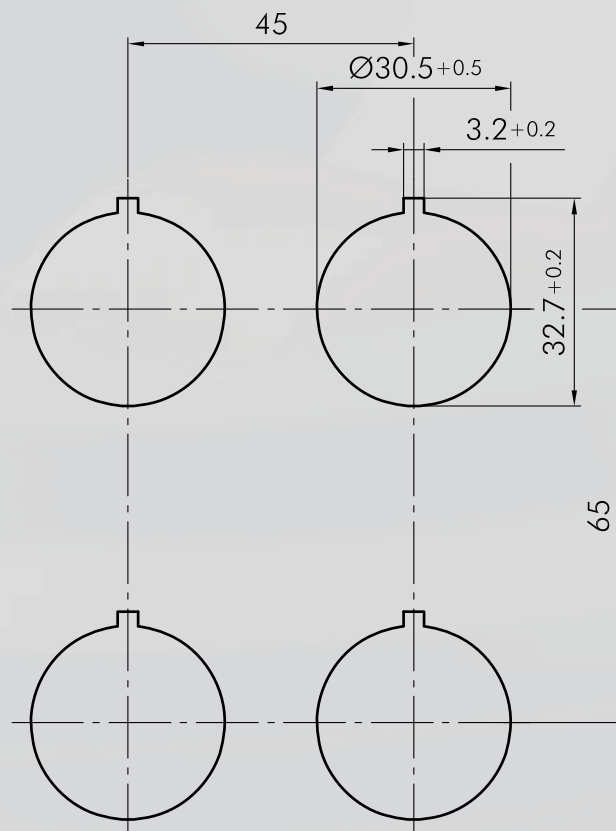
Control Units  
 Bus Technology  
 Enclosures  
 Limit Switches  
 Positioners  
 Power Supplies  
 Safety  
 Switches  
 Terminals  
 Transmitters  
 Actuators

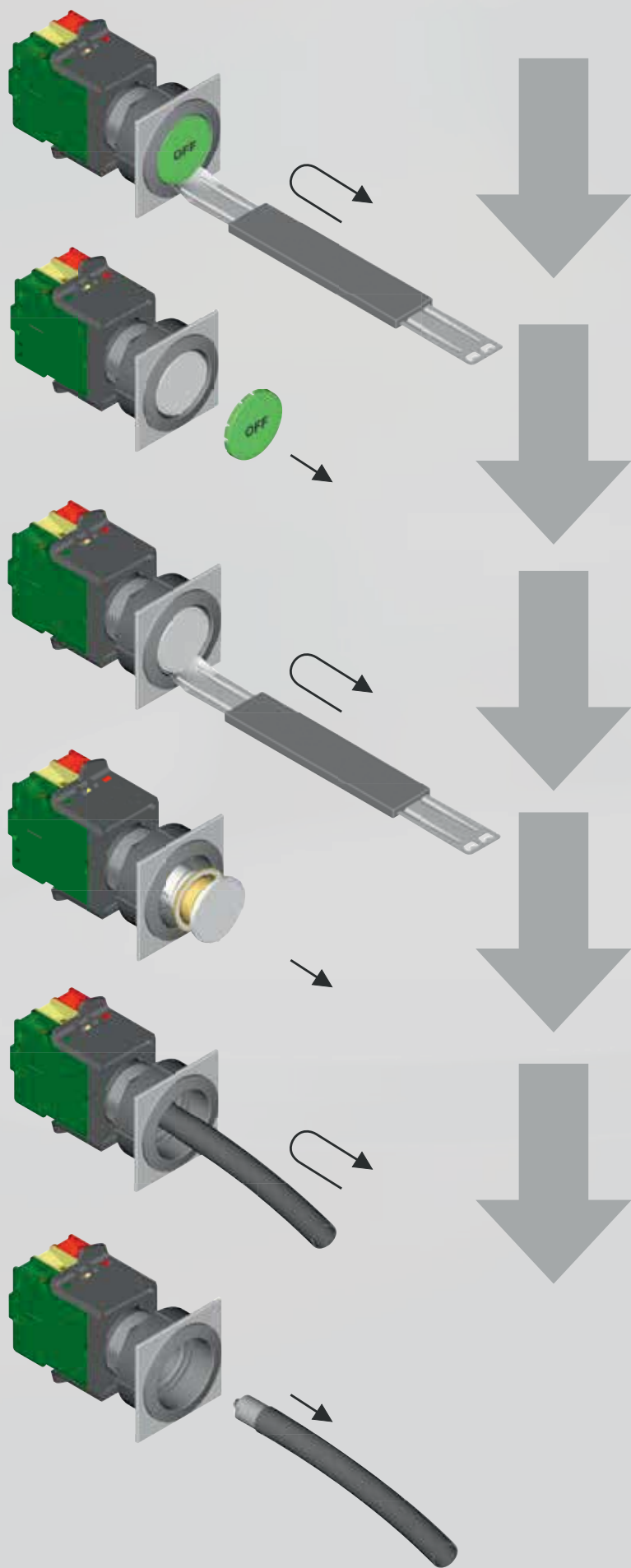
## Mounting Depth Dimensions



\* ETR2 69mm, ETLR 58mm, ETLR2 78mm, EL9R 44mm

## Cutout Dimensions







# KOMBITAST-R-JUWEL

Ø 30 mm

## Pushbutton Heads (momentary/push-push)

Illustration	Dimensions	Description	Type
	<p><b>Pushbutton Head</b> suitable contact blocks</p> <p>front bezel                      metallic</p>	<p><b>KRJMT</b></p>	
	<p><b>Flat Lens, transparent</b> colour</p>	<p>blue                      <b>T30FBL</b> yellow                      <b>T30FGB</b> green                      <b>T30FGN</b> clear                      <b>T30FKL</b> red                      <b>T30FRT</b> opalwhite                      <b>T30FWS</b></p>	
	<p><b>Nameplate</b> with standard imprint, please specify index number (see nameplates on pages 410)</p>	<p><b>BSKJ...</b></p>	
	<p><b>Nameplate</b> with special imprint according to customer's specification</p>	<p><b>BSKJB</b></p>	
	<p><b>Blank Nameplate</b></p>	<p><b>BSKJU</b></p>	
	<p><b>Membrane Pushbutton Head</b> with fully closed, transparent silicone cap, down to -50° C</p> <p>suitable contact blocks</p> <p>front bezel                      metallic</p>	<p><b>KRJM TM</b></p>	
	<p><b>Flat Lens, transparent</b> colour</p>	<p>blue                      <b>T20FBL</b> yellow                      <b>T20FGB</b> green                      <b>T20FGN</b> clear                      <b>T20FKL</b> red                      <b>T20FRT</b> opalwhite                      <b>T20FWS</b></p>	

## Accessories for Actuators

Illustration	Dimensions	Description	Type
		<b>Nameplate</b> with standard imprint, please specify index number (see nameplates on pages 410)	<b>BSRX...</b>
		<b>Nameplate</b> with special imprint according to customer's specifications	<b>BSRXB</b>
		<b>Blank Nameplate</b>	<b>BSRXU</b>

- Index
- Accessories
- Control Units
- Accessories
- Biotechnology
- Embosser
- Limit Switches
- Photo Sensors
- Special Plates



# KOMBITAST-R-JUWEL

Ø 30 mm

## Emergency Stop Buttons Mushroom Heads

Illustration

Dimensions

Description

Type

IP67



### Emergency-stop Head

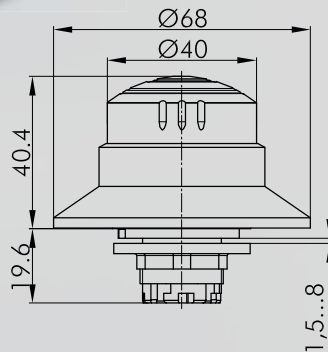
foolproof Yes  
switching position indicator Yes  
anti-lock collar Yes  
release twist right or left

suitable contact blocks



mushroom head red  
front bezel yellow

**KRBUV70**



IP65

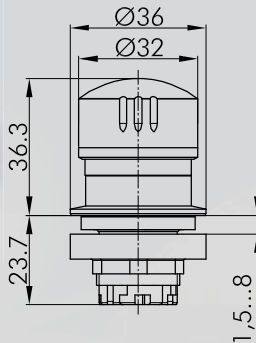


### Emergency-stop Head

foolproof Yes  
switching position indicator Yes  
anti-lock collar No  
release twist right or left

mushroom head red  
front bezel yellow

**KRJUV**



IP65

6mm



### Latching Mushroom Head

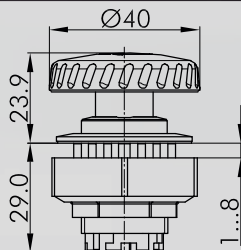
foolproof No  
switching position indicator No  
anti-lock collar No  
release twist

suitable contact blocks



front bezel metallic

**KRJMV**



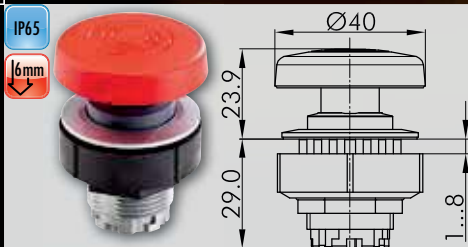
## Mushroom Heads

Illustration

Dimensions

Description

Type



### Mushroom Head, momentary

Other mushroom colours on request

switching position indicator No

anti-lock collar No

suitable contact blocks



mushroom head red

front bezel metallic

**KRJMS**



### For further emergency stops, please refer to the chapter „Emergency-stop Heads“ starting on page 362


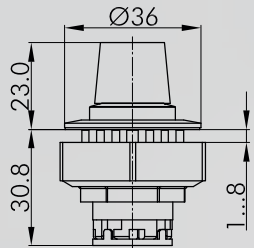

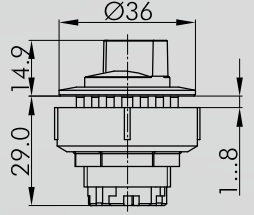



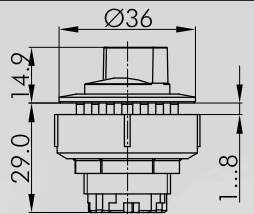



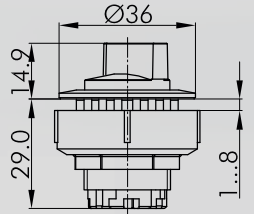

The emergency-stop heads can also be supplied as latching mushroom heads with mushrooms in different colours.

# KOMBITAST-R-JUWEL

Ø 30 mm

**Knob Set for potentiometers  
Selector Heads (momentary/maintained)**

**I** = Switching position  
**>** = Spring return

Illustration	Dimensions	Description	Type
		<p><b>Knob Set for potentiometers</b> for potentiometers of 6 mm shaft dia. and thread M10 x 0.75 Delivery without potentiometer Shaft length: approx. 50 mm ± 2 mm incl. fastening thread front bezel metallic</p>	<b>KRJMR</b>
		<p><b>Selector Head, maintained</b> suitable contact blocks DMF DS DT ET M front bezel metallic suitable contact blocks DT ET M front bezel metallic</p>	 <b>KRJMWA</b>  <b>KRJMWB</b>
		<p><b>Selector Head, momentary</b> suitable contact blocks DMF DS DT ET M front bezel metallic suitable contact blocks DT ET M front bezel metallic</p>	 <b>KRJMSTA</b>  <b>KRJMSTB</b>
		<p><b>Selector Head, left maintained, right momentary</b> suitable contact blocks DT ET M front bezel metallic</p>	 <b>KRJMWC</b>

## Toggle Heads

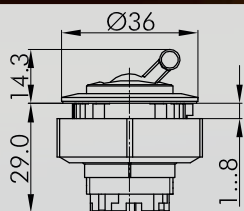
Illustration

Dimensions

Description

Type

IP65



### Toggle Head

red toggle (other colours on request)

suitable contact blocks



front bezel

metallic

**KRJMK**

Control Units  
 Accessories  
 Basic Technology  
 Enclosures  
 Limit Switches  
 Push Buttons  
 Terminal Blocks

# KOMBITAST-R-JUWEL

Ø 30 mm

## Key Actuators (momentary/maintained)

- I = Switching position
- > = Spring return
- = Key removable position

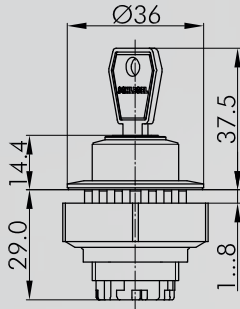
Illustration

Dimensions

Description

Type

IP65



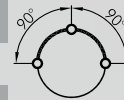
### Key actuator, maintained

including two keys  
other lock types on request

suitable contact blocks



front bezel metallic

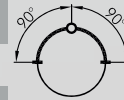


**KRJMSA12E**

suitable contact blocks



front bezel metallic

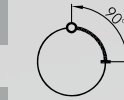


**KRJMSA13E**

suitable contact blocks



front bezel metallic



**KRJMSA14E**

suitable contact blocks



front bezel metallic



**KRJMSA15E**

suitable contact blocks



front bezel metallic



**KRJMSA17E**

suitable contact blocks

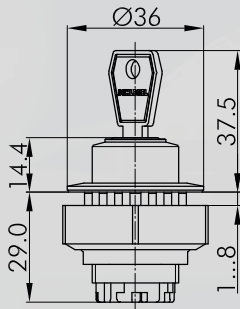


front bezel metallic



**KRJMSA18E**

IP65



### Key actuator, momentary

including two keys  
other lock types on request

suitable contact blocks



front bezel metallic



**KRJMSA23E**

suitable contact blocks

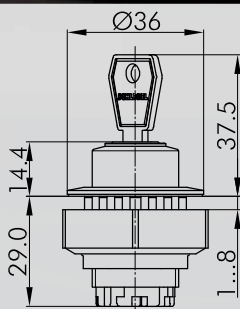


front bezel metallic



**KRJMSA27E**

IP65



### Key actuator, left maintained, right momentary

including two keys  
other lock types on request

suitable contact blocks




front bezel metallic



**KRJMSA24E**

## Accessories for Actuators

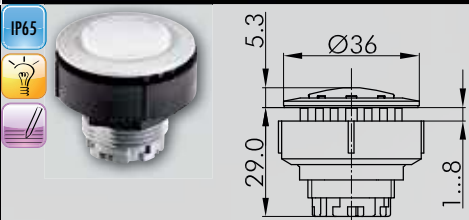
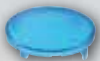


Illustration	Dimensions	Description	Type
		<p><b>Spare Key (standard)</b> standard spare key, specify key number for special locks</p>	<b>ESE845</b>

- Index
- Accessories
- Control Units
- Accessories
- Biotechnology
- Embassies
- Limit Switches
- Master/Slave
- Special Keys



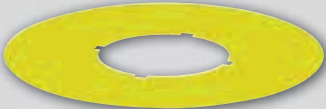



# KOMBITAST-R-JUWEL

Ø 30 mm

## Pilot Light Heads/Pilot Lights

Illustration	Dimensions	Description	Type
	<p><b>Pilot Light Head</b> suitable lampholders</p> <p>DS DT ET</p> <p>front bezel      metallic</p>	<b>KRJMN</b>	
	<p><b>Convex Lens</b> colour</p> <p>blue yellow green clear red opalwhite</p>	<p><b>KF23BL</b> <b>KF23GB</b> <b>KF23GN</b> <b>KF23KL</b> <b>KF23RT</b> <b>KF23WS</b></p>	
	<p><b>Nameplate</b> with standard imprint, please specify index number (see nameplates on pages 410)</p>	<b>BSK...</b>	
	<p><b>Nameplate</b> with special imprint according to customer's specifications</p>	<b>BSKB</b>	
	<p><b>Blank Nameplate</b></p>	<b>BSKU</b>	

## Accessories for Actuators





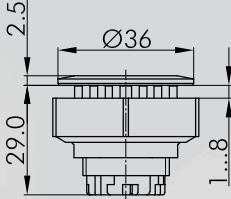
Illustration	Dimensions	Description	Type
		<b>Mounting Tool</b> with torque limitation for the series QUARTEX-R(-JUWEL), KOMBITAST-R-JUWEL, RONDEX, RONDEX-M, RVA, DUX-Basic	<b>S22</b>
		<b>Mounting Tool Adapter with 1/4" connections</b> for mounting tools S16 and S22	<b>SRA</b>
		<b>Yellow Nameplate</b> self-adhesive PVC foil printing on request outer dia. 75 mm for mounting dia. 30 mm colour yellow	<b>NAS_30</b>
		<b>Yellow Nameplate with quadrilingual imprint</b> self-adhesive PVC foil outer dia. 75 mm for mounting dia. 30 mm colour yellow	<b>NAS_30_548</b>
		<b>Lead-sealable Protective Lid for pushbutton heads KRT/KRJMT</b> colour transparent	<b>KDKRT</b>
		<b>Lead-sealable Protective Lid for selector heads KRWA/KRJMWA</b> colour transparent	<b>KDKRWA</b>

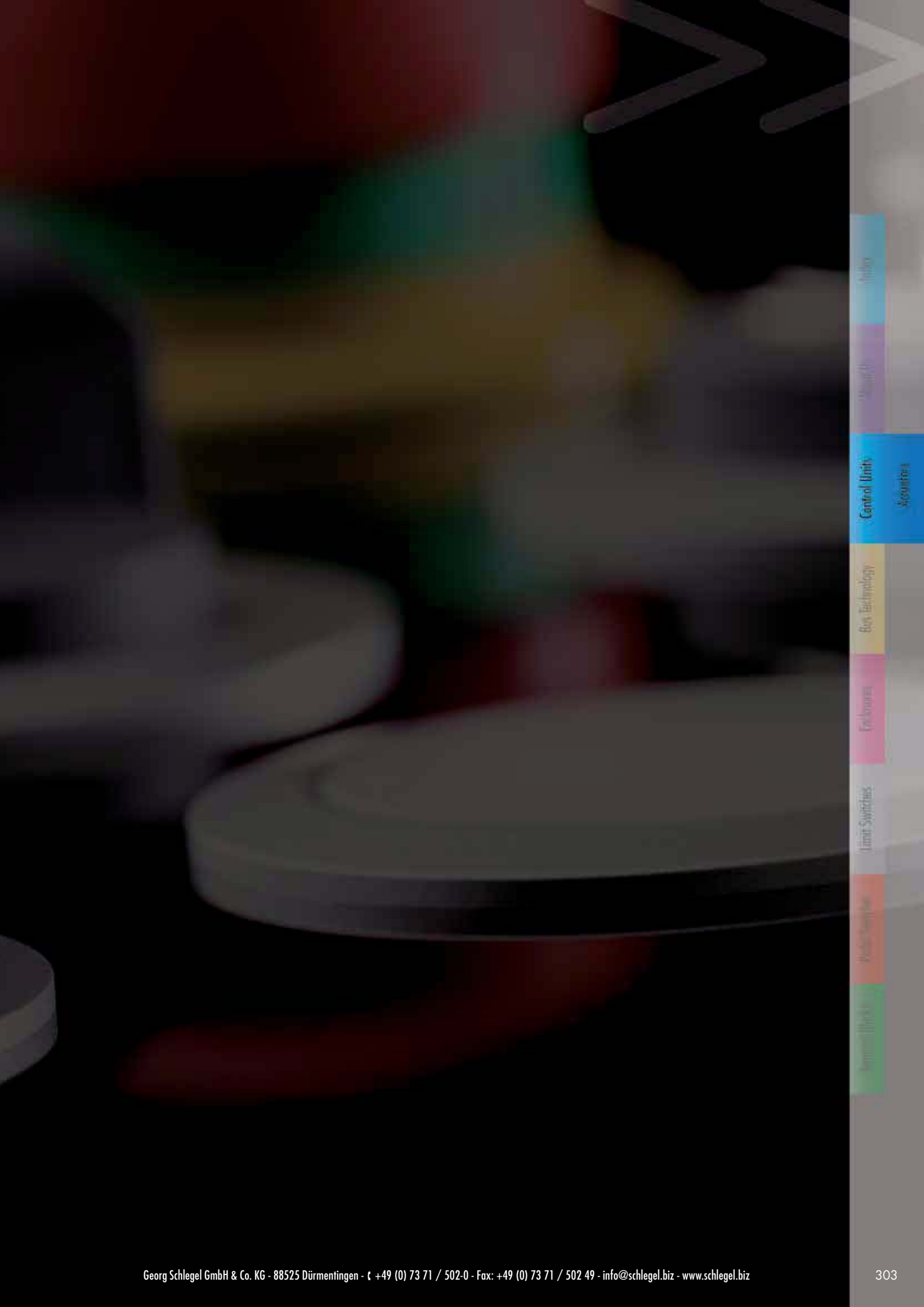


# KOMBITAST-R-JUWEL

Ø 30 mm

## Accessories for Actuators

Illustration	Dimensions	Description	Type
		<b>Lead-sealable Protective Lid for selector heads KRWB/KRJMWB</b> colour transparent	<b>KDKRWB</b>
		<b>Lamp Remover</b> for incandescent lamps FZR9...	<b>LZ8</b>
		Universal Lens Remover	<b>USK</b>
 		<b>Dummy</b> to close unused mounting apertures colour metallic	<b>BVKRJM</b>



Audio

Security

Control Units

Accessories

Box Technology

Exhibitors

Image Synthesis

Media Storage

Image Work