

OKTRON-JUWEL

Control Units of the OKTRON JUWEL series come into operation for modern created processing machines, for all machines with fully designed operating panels, meaning wherever the optical general impression is important.

Additionally to their elegant design the control units distinguish themselves by a first-class quality material, by the high security of operation and extreme longevity.

Protection type IP 65
Protection class II

Offers a great number of marking possibilities as many interchangeable nameplates are available.

International design award
1998 Baden-Württemberg.



Approvals:

Germany

Canada

Norway

Finland

Denmark

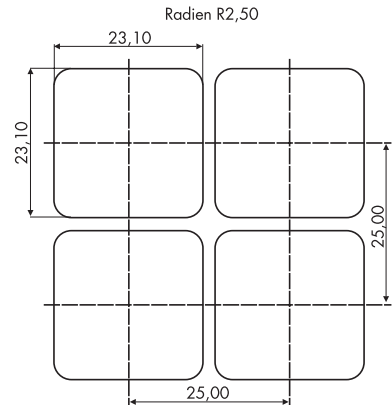
Sweden

Det Norske Veritas

We have also applied for the approvals in the USA



Mounting dimensions:
23.1 x 23.1 mm, reduced mounting depth. The control units extend very little above the instrument panel (1.5 mm) thus being a real alternative to membrane keyboards.



OKTRON-JUWEL
combined with membrane keyboards on an operation panel

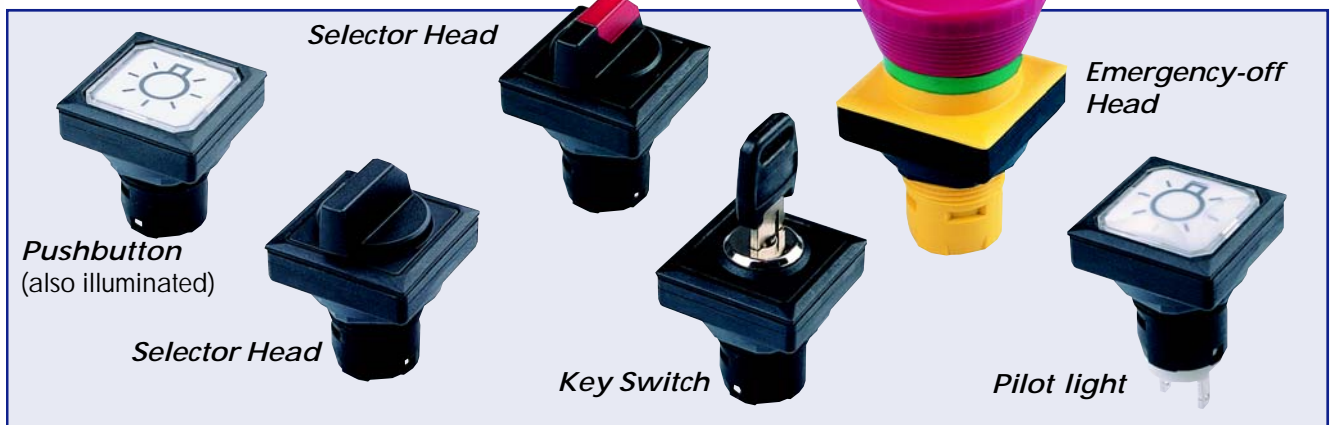


Georg Schlegel GmbH & Co.
Elektrotechnische Fabrik
D-88525 Dürmentingen
Telefon 07371/502-0
Fax 07371/502 49
<http://www.schlegel-ekontakt.de>
E-Mail: info@schlegel-ekontakt.de

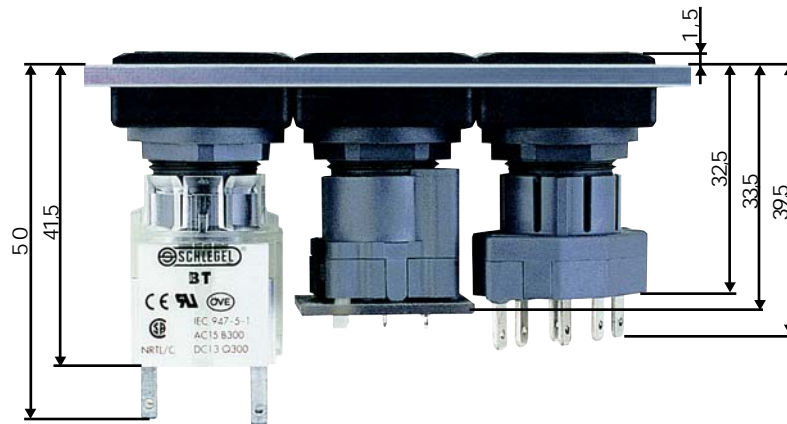


OKTRON-JUWEL

The **OKTRON-JUWEL** series offer all important types of actuators



Mounting depth dimensions



The OKTRON-JUWEL series fit the following contact blocks

Standard contact blocks of type series B..., Fasten terminals 2.8 x 0.8 mm



Technical Data:

acc. to VDE 0660 Ui~250V, Ith 6A
acc. to VDE 0630 analogous
EN 61058=IEC 1058
250V AC 6 (4) A
Lamp: 60V
Lamp socket: T5.5K / W2x4.6d
Lamp output: 1.2 W max.

Electronic snap-action contact blocks of type series CTP... with soldering pins for PCBs



Technical Data:

Rated voltage: 48V AC/DC
non-inductive
max. current: 0.1A
min. current: 0.1mA
Lamp: 60V
Lamp socket: T5.5K
Lamp output: 1.2W max.

Electronic contact blocks of the type series CT... with up to two change-over contacts, Fasten Terminals 2.8 x 0.8 mm



Technical Data:

Rated voltage: 48V AC/DC
non-inductive
max. current: 0.1A
min. current: 0.01mA
Lamp: 60V
Lamp socket: T5.5K
Lamp output: 1.2W max.